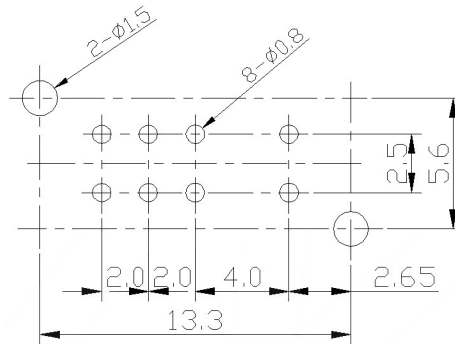
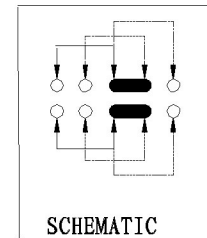
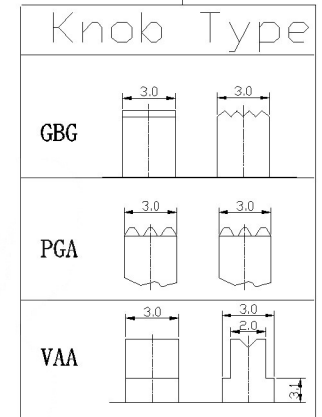


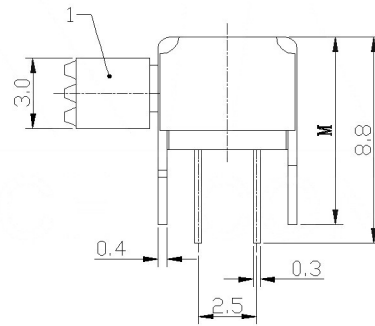
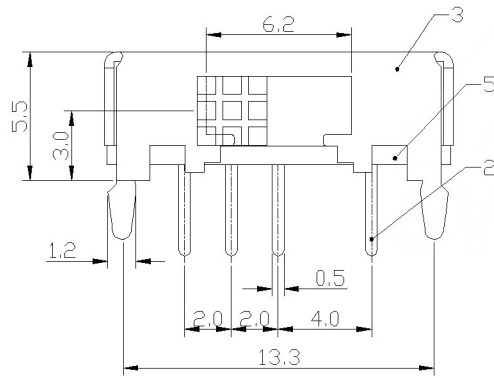
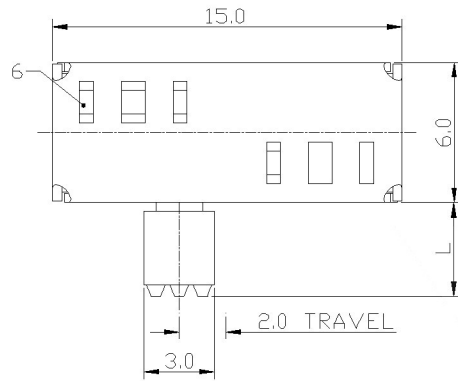
MODEL CODE

SK-23D06 -

L (mm)
1 ~ 9



HOLE LAYOUT



RATING	0.3A 50V DC
CIRCUIT	2P3T
CONTACT RESISTANCE	100mΩ MAX.
TRAVEL	2mm
OPERATING FORCE	250±100gf
OPERATING LIFE(cycles)	10,000

					DSND		DATE		SCALE: N/A	MODEL TYPE: SLIDE SWITCH	
					DWN		DATE		VIEW:	PART NO.: SK-23D06	
					CHKD		DATE		UNIT: mm	DWG NO.:	
					APPD		DATE		SIZE: A4	SK-23D06-X	
					: KOSOD TECHNOLOGY CO., LTD				WEIGHT	SHEET	REVISION
									1.0g	1/1	A0

					ANGLAR	±5°
Δx					L ≤ 4	±0.2
Δx					4 < L ≤ 16	±0.3
Δx					16 < L ≤ 63	±0.4
MARK	DESCRIPTION	DATE	REVISED	APPROVED	L > 63	±0.5
					UNSPECIFIED TOLERANCES	
REVISIONS						
www.bodongkaiguan.net www.ksdkg.com						