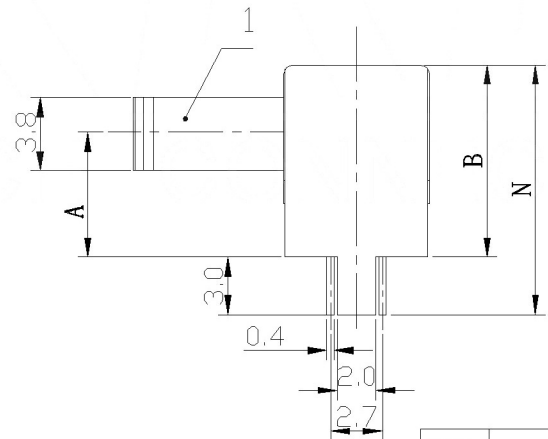
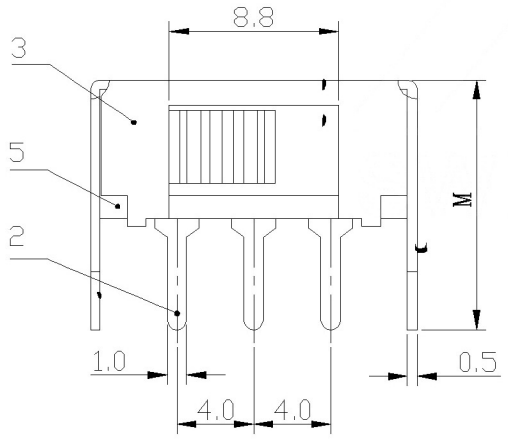
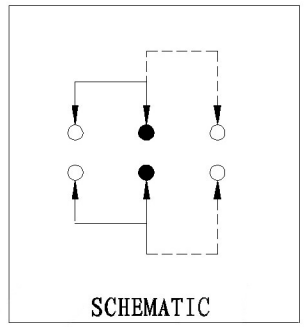
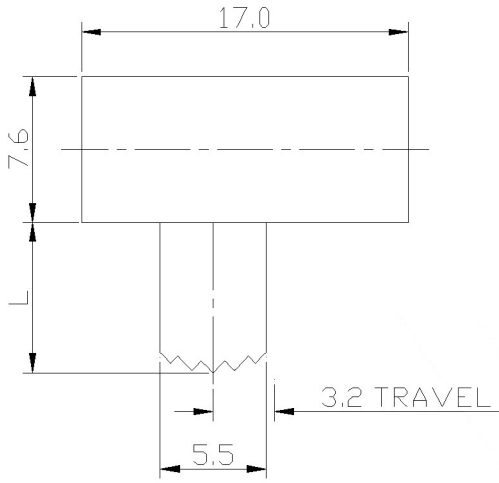


MODEL CODE

SK-22F02 -    
 (mm)



RATING	0.3A 50V DC
CIRCUIT	1P2T
CONTACT RESISTANCE	100ms MAX.
TRAVEL	2mm
OPERATING FORCE	250±100gf
OPERATING LIFE(cycles)	10,000

MARK	DESCRIPTION	DATE	REVISED	APPROVED	UNSPECIFIED TOLERANCES
ΔX					ANGULAR ±5°
ΔX					L ≤ 4 ±0.2
ΔX					4 < L ≤ 16 ±0.3
					16 < L ≤ 63 ±0.4
					L > 63 ±0.5

DSND	DATE	SCALE: N/A	MODEL TYPE: SLIDE SWITCH
DWN	DATE	VIEW:	PART NO.: SK-22F02
CHKD	DATE	UNIT: mm	DWG NO.: SK-22F02-X-X
APPD	DATE	SIZE: A4	WEIGHT 1.0g
			SHEET 1/1
			REVISION A0

KOSOD TECHNOLOGY CO., LTD

www.bodongkaiguan.net www.ksdkg.com