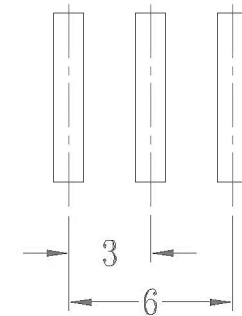
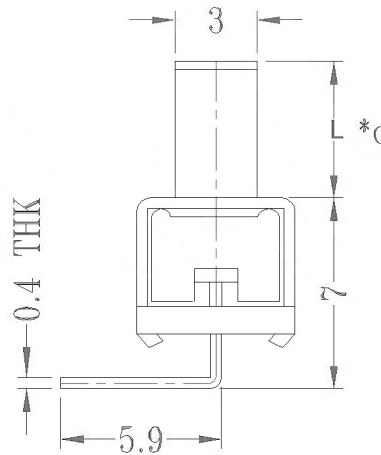
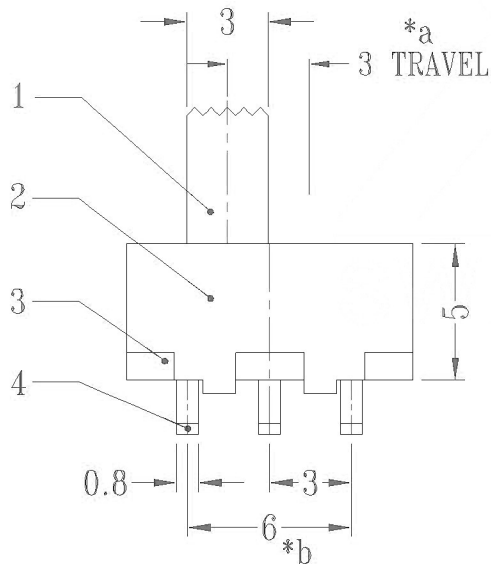


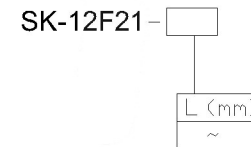
SCHEMATIC (NON-SHORTING)



P.C.B LAYOUT  
TOP VIEW



MODEL CODE



RATING	0.3A 50V DC
CIRCUIT	1P2T
CONTACT RESISTANCE	100mΩ MAX.
TRAVEL	3mm
OPERATING FORCE	250±100gf
OPERATING LIFE(cycles)	10,000

REVISIONS					UNSPECIFIED TOLERANCES		DSND	DATE	SCALE: N/A	MODEL TYPE: SLIDE SWITCH
ΔX					ANGLAR	±5°	DWN	DATE	VIEW:	PART NO.: SK-12F21
ΔX					L ≤ 4	±0.2	CHKD	DATE	UNIT: mm	DWG NO.: SK-12F21
ΔX					4 < L ≤ 16	±0.3	APPD	DATE	SIZE: A4	
MARK	DESCRIPTION	DATE	REVISED	APPROVED	16 < L ≤ 63	±0.4				
					L > 63	±0.5				
www.bodongkaiguan.net										WEIGHT 1.0g
										SHEET 1/1
										REVISION A0
										) Kosod Technology Co., Ltd.