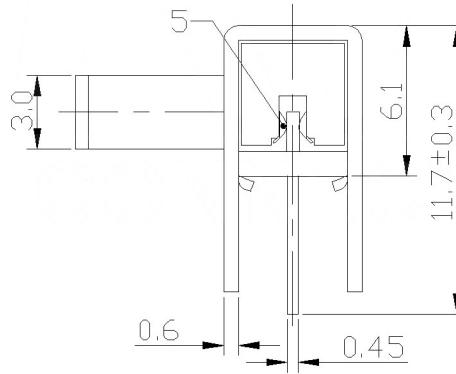
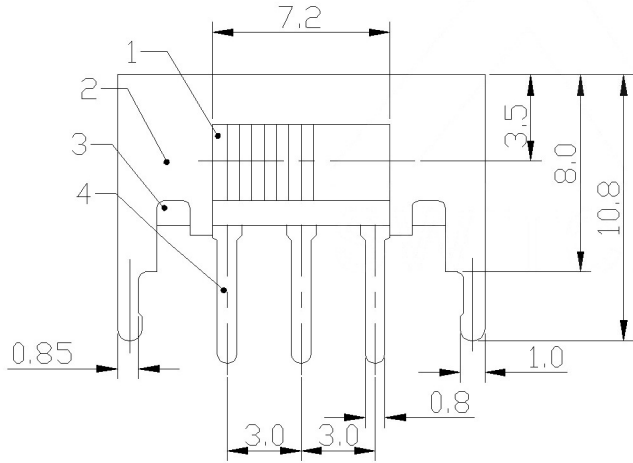
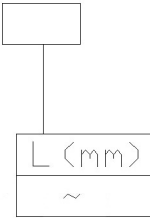


MODEL CODE

SK-12F16 -



RATING	0.3A 50V DC
CIRCUIT	1P2T
CONTACT RESISTANCE	100m $\Omega$ MAX.
TRAVEL	2mm
OPERATING FORCE	250±100gf
OPERATING LIFE(cycles)	10,000

					DSND		DATE		SCALE: N/A	MODEL TYPE: SLIDE SWITCH		
$\Delta$ X					ANGLAR		DATE		VIEW:	PART NO.: SK-12F16		
$\Delta$ X					$L \leq 4$	$\pm 5^\circ$	DATE		UNIT: mm	DWG NO.: SK-12F16-X-X		
$\Delta$ X					$4 < L \leq 16$	$\pm 0.2$	DATE		SIZE: A4			
MARK	DESCRIPTION	REVISIONS	DATE	REVISED	APPROVED	$16 < L \leq 63$						
						$L > 63$						
					UNSPECIFIED TOLERANCES		KOSOD TECHNOLOGY CO., LTD			WEIGHT	SHEET	REVISION
										1.0g	1/1	A0
					www.bodongkaiguan.net www.ksdkg.com							