

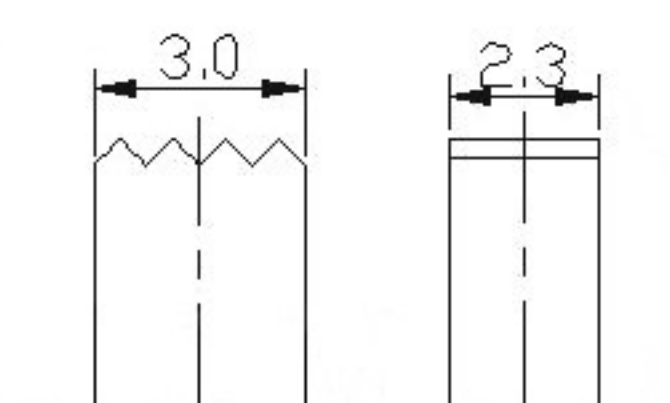
MODEL CODE

SK-12F14 -

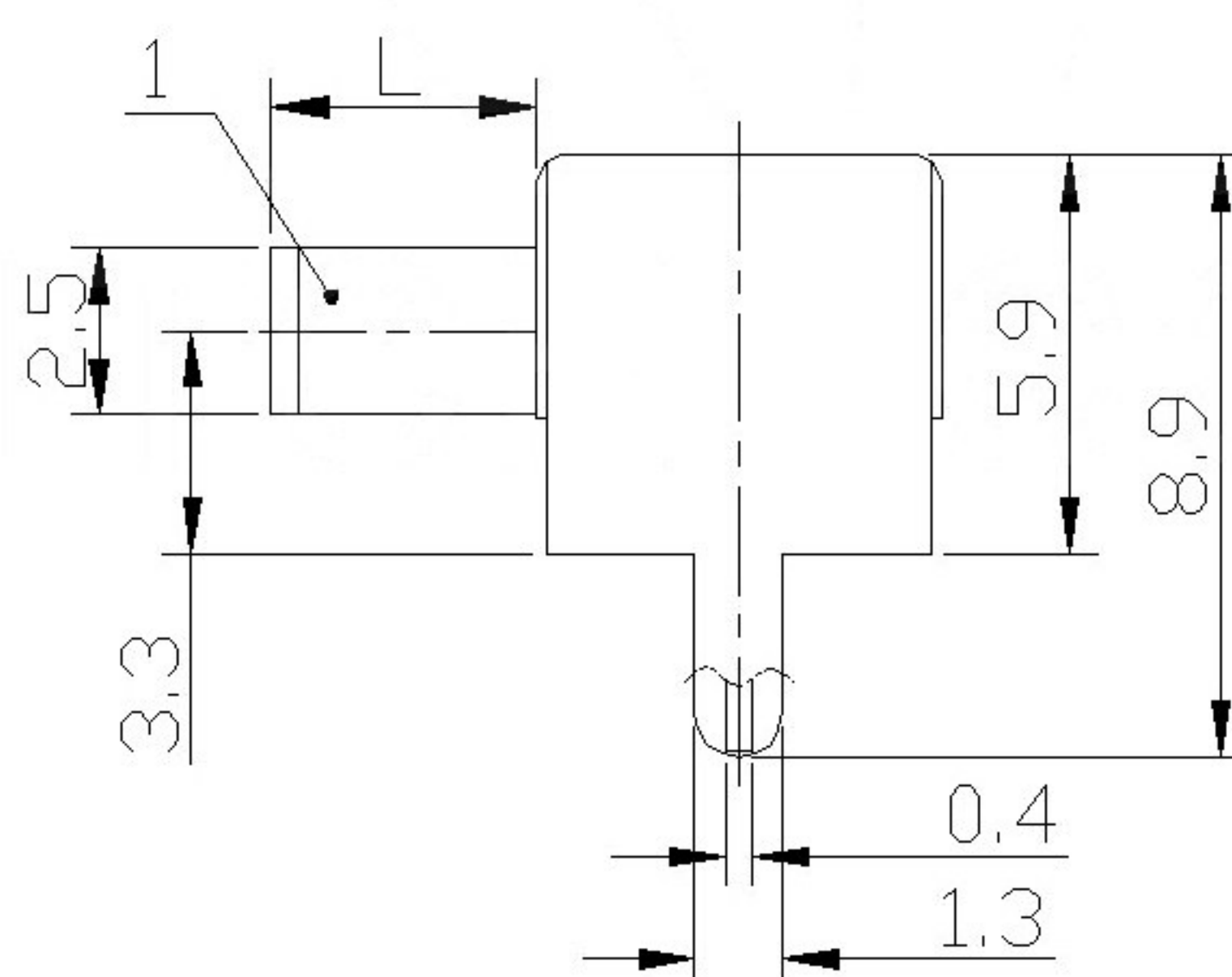
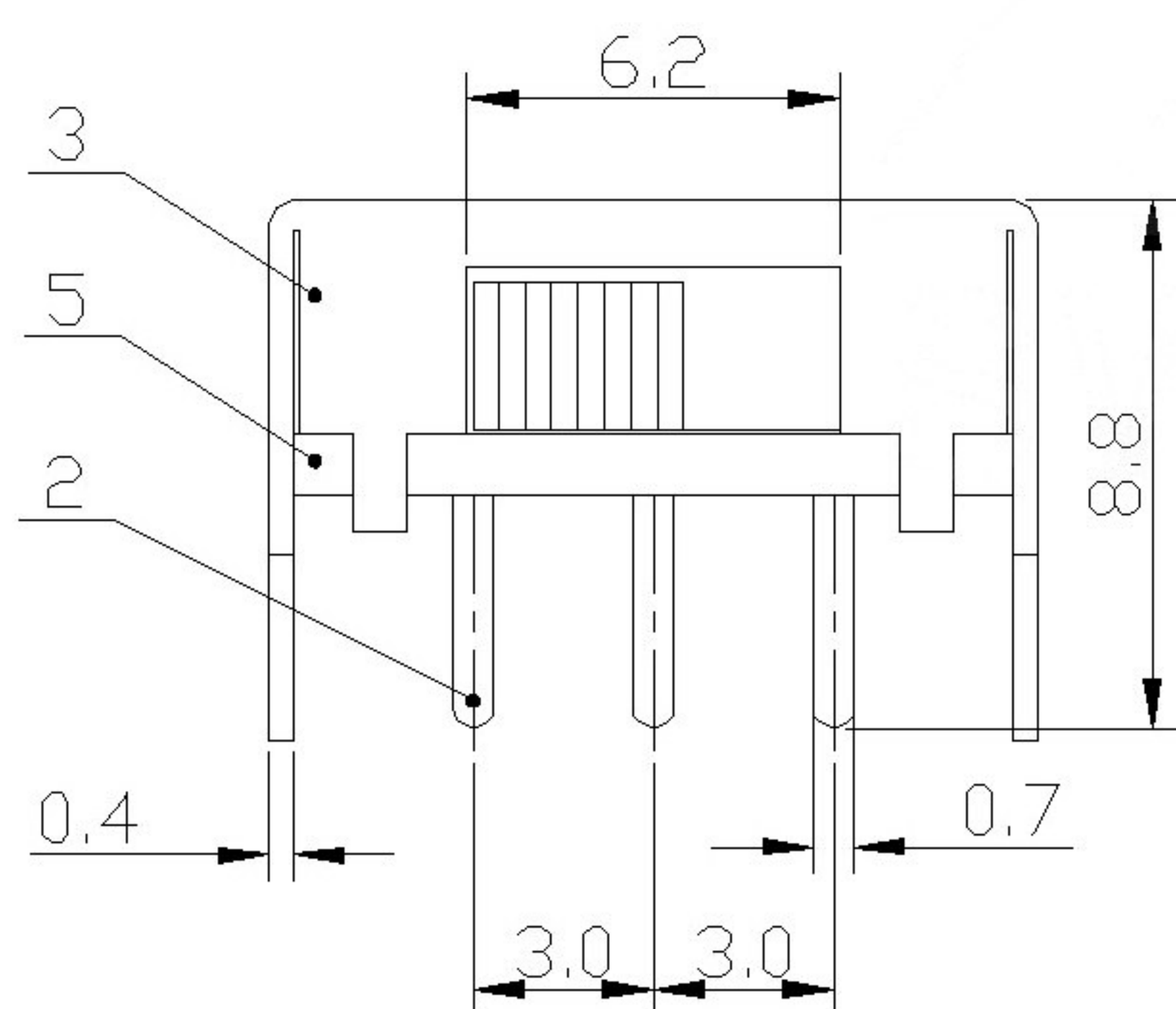
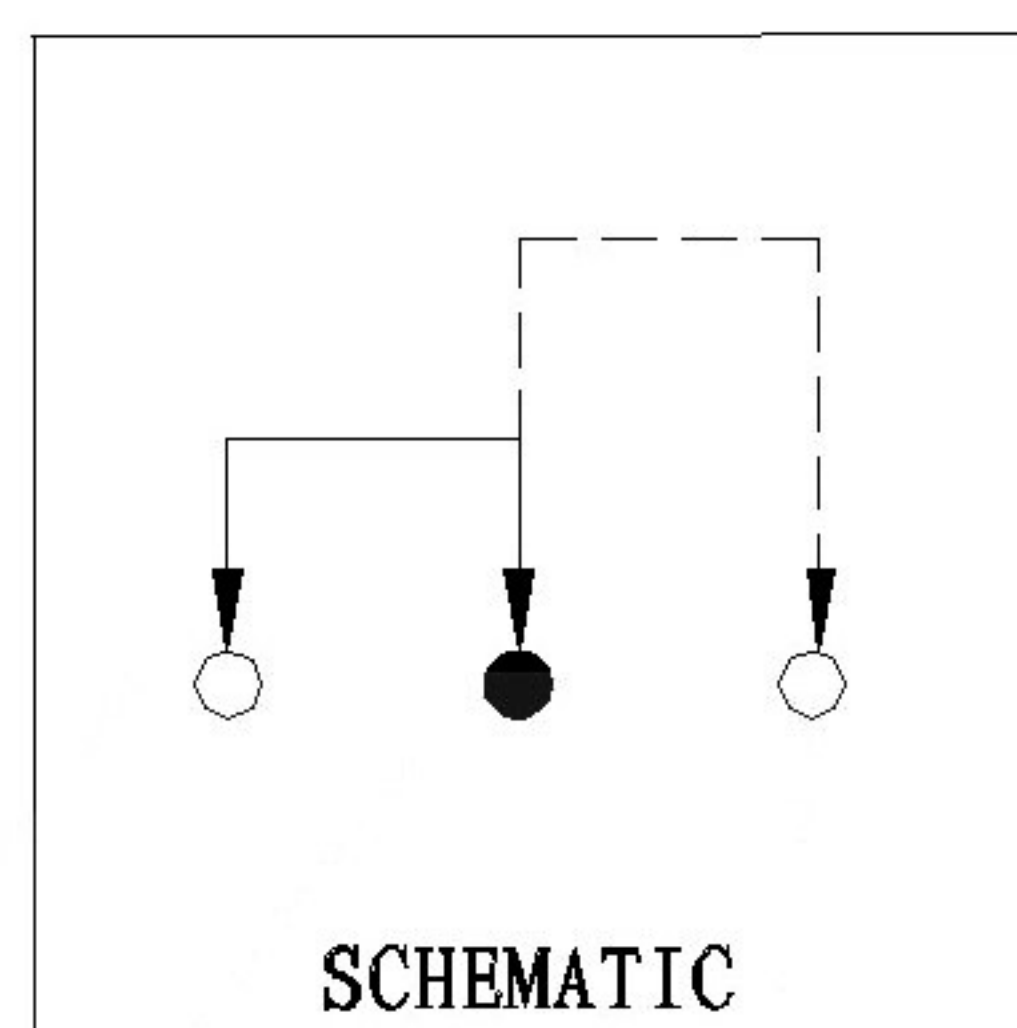
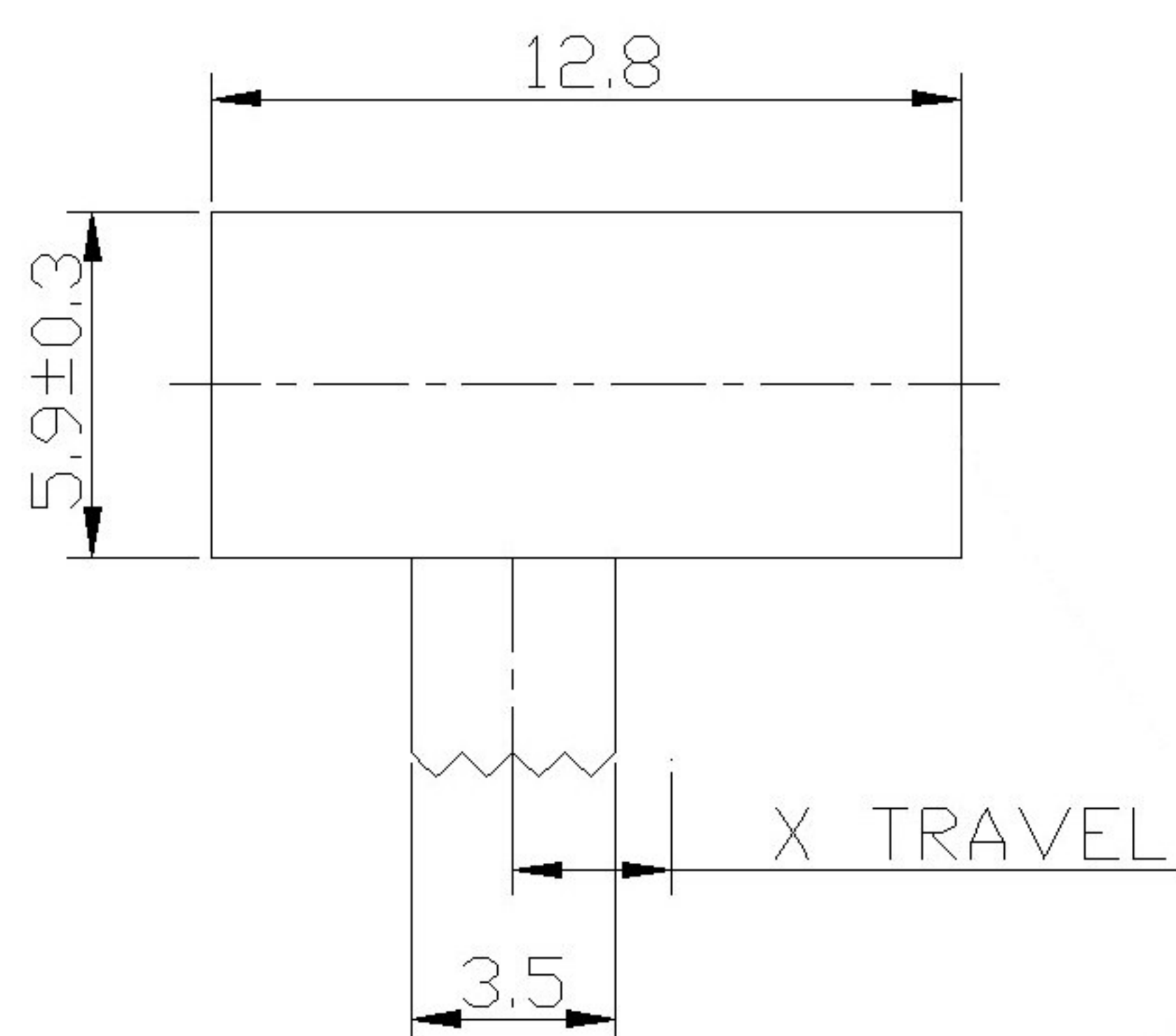
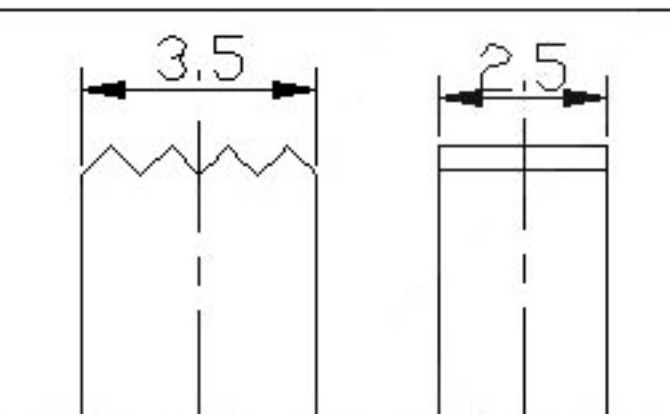
L (mm)
~

Knob Type

GFA



GFB



RATING	0.3A 50V DC
CIRCUIT	1P2T
CONTACT RESISTANCE	100ms MAX.
TRAVEL	2mm
OPERATING FORCE	250±100gf
OPERATING LIFE(cycles)	10,000

MARK	DESCRIPTION	DATE	REVISED	APPROVED	UNSPECIFIED TOLERANCES	DSND	DATE	SCALE: N/A	MODEL TYPE: SLIDE SWITCH
ΔX					ANGULAR ±5°	DWN	DATE	VIEW:	PART NO.:
ΔX					L ≤ 4 ±0.2	CHKD	DATE	UNIT: mm	DWG NO.:
ΔX					4 < L ≤ 16 ±0.3	APPD	DATE	SIZE: A4	SK-12F14-X-X
					16 < L ≤ 63 ±0.4	KOSOD TECHNOLOGY CO., LTD			WEIGHT
					L > 63 ±0.5				1.0g
									SHEET
									1/1
									REVISION
									A0