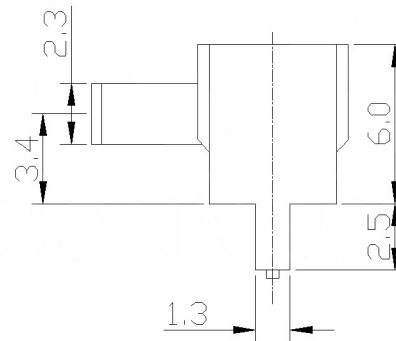
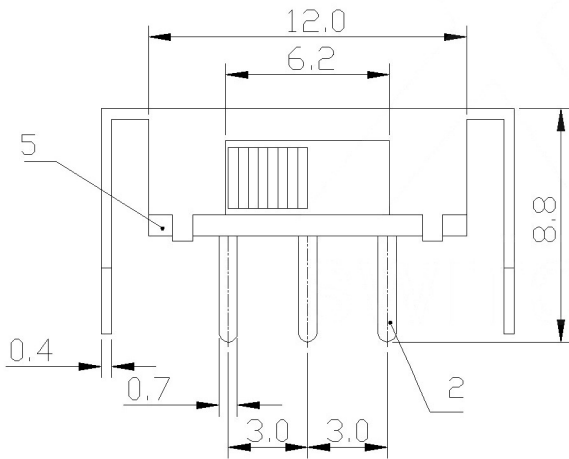
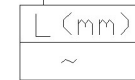


MODEL CODE

SK-12F02 -



RATING	0.3A 50V DC
CIRCUIT	1P2T
CONTACT RESISTANCE	100mΩ MAX.
TRAVEL	3mm
OPERATING FORCE	250±100gf
OPERATING LIFE<cycles>	10,000

MARK	DESCRIPTION	DATE	REVISED	APPROVED	UNSPECIFIED TOLERANCES	DSND	DATE	SCALE: N/A	MODEL TYPE: SLIDE SWITCH		
ΔX					ANGULAR		DATE	VIEW:	PART NO.: SK-12F02		
ΔX					L ≤ 4	±5°		UNIT: mm	DWG NO.: SK-12F02-X-X		
ΔX					4 < L ≤ 16	±0.2		SIZE: A4			
					16 < L ≤ 63	±0.3					
					L > 63	±0.4					
						±0.5					
REVISIONS						KOSOD TECHNOLOGY CO., LTD			WEIGHT	SHEET	REVISION
www.bodongkaiguan.net www.ksdkg.com									1.0g	1/1	A0