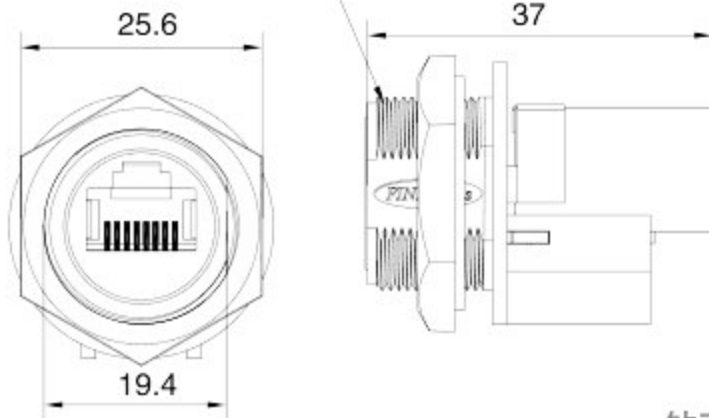
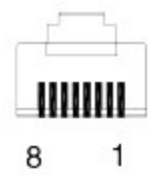




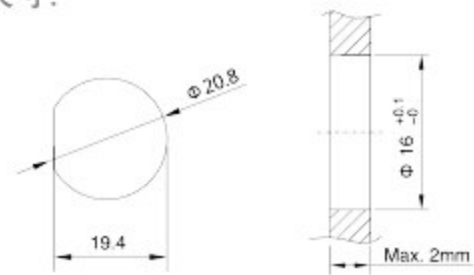
13/16"-28UN-2A



板厚 Max2.0mm



钻孔尺寸:



适用温度:	-20 °C ~ + 80 °C
胶芯材料:	PBT+GF
端子材料:	磷青铜镀金
螺丝/螺母材料:	PA+GF
密封材料/密封圈:	FKM(氟橡胶)
绝缘阻抗:	≥ 100MΩ(兆欧)
接触阻抗:	≤ 30mΩ(毫欧)
是否屏蔽:	是
防护等级:	For use IP 67 (锁紧状态)

MARK	DESCRIPTION	DATE	REVISED	APPROVED	UNSPECIFIED TOLERANCES
△ X					ANGULAR ±5°
△ X					L < 4 ±0.2
△ X					4 < L ≤ 16 ±0.3
					16 < L ≤ 63 ±0.4
					L > 63 ±0.5

DSND	DATE	SCALE: N/A	MODEL TYPE:
DWN	DATE	VIEW:	RJ JACK
CHKD	DATE	UNIT: mm	PART NO.:
APPD	DATE	SIZE: A4	RJ45S-XKB08S

WEIGHT	SHEET	REVISION
1.0g	1/1	A0

KOSOD TECHNOLOGY CO., LTD

Authorized Signature(s)