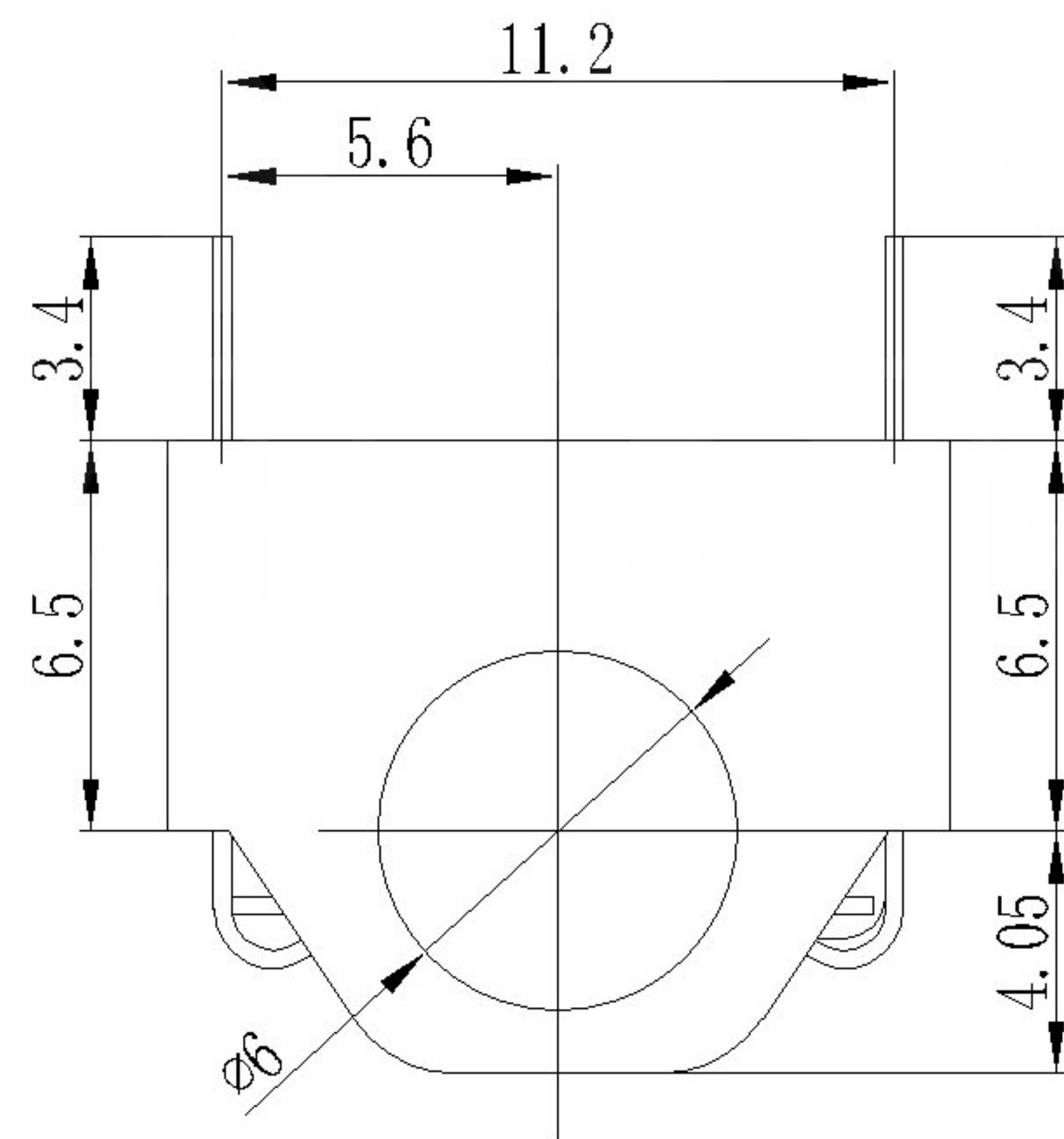
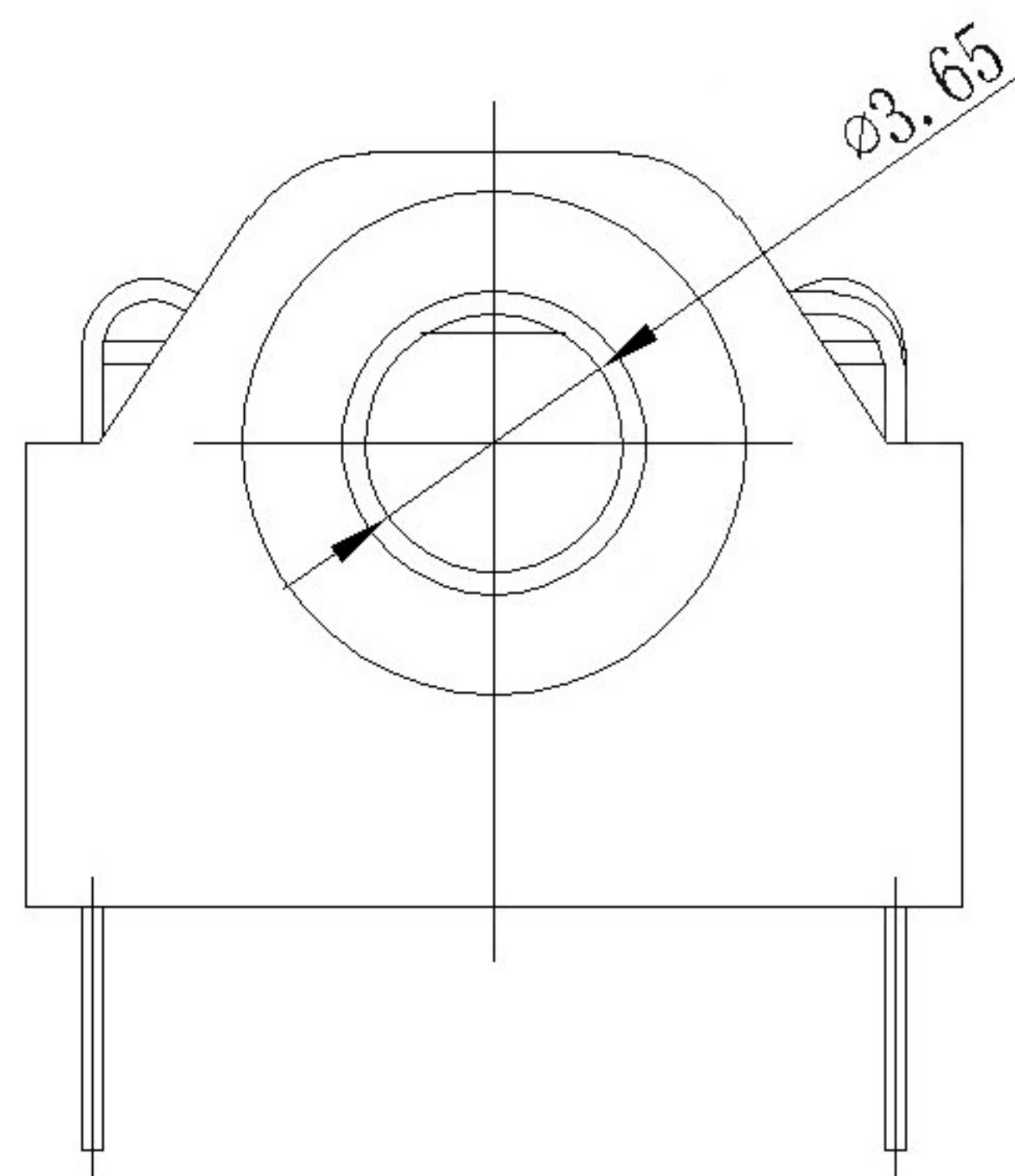


P.C.B LAYOUT
TOP VIEW



	MATERIAL	PLATING
terminal 1	copper alloy	silver
terminal 2	copper alloy	silver
terminal 3	copper alloy	silver
terminal 4	copper alloy	silver
plastic	PA10T	

DSND	DATE	SCALE: N/A	MODEL TYPE: 3.5 PHONE JACK		
DWN	DATE	VIEW:	PART NO. :		
CHKD	DATE	UNIT: mm	DWG NO. : PJ-H395		
APPD	DATE	SIZE: A1	WEIGHT	SHEET	REVISION
KOSOD TECHNOLOGY CO., LTD			1.0g	1/1	A0

MARK	DESCRIPTION	DATE	REVISED	APPROVED	ANGULAR	TOLERANCES
Δx					$L \leq 1$	$\pm 5^\circ$
Δx					$1 < L \leq 16$	± 0.2
Δx					$16 < L \leq 63$	± 0.3
					$L > 63$	± 0.4
						UNSPECIFIED TOLERANCES
www.bodongkaiguan.net www.ksdkg.com						