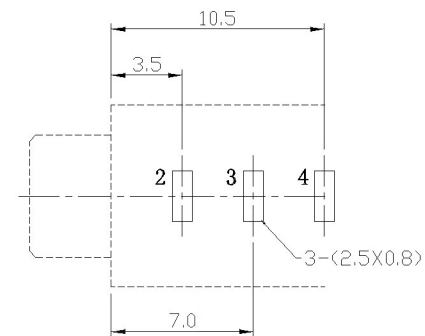
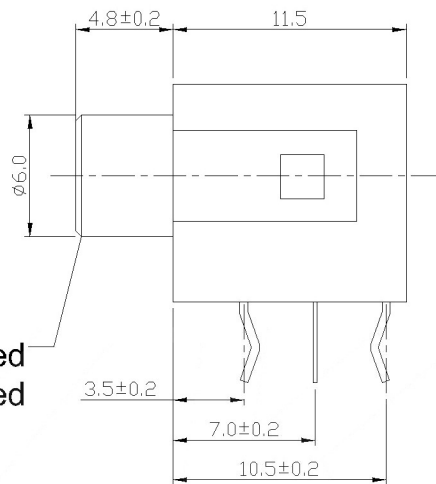


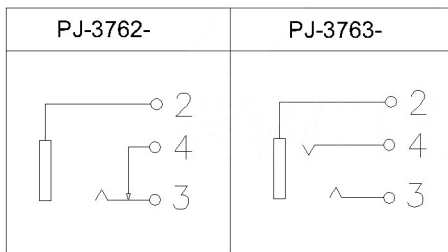
G:Gold plated  
S:Silver plated



**SPECIFICATION**

1. Rating : DC 30V 0.5A;
2. Contact resistance:  $\leq 50m\Omega$ ;
3. Insulation resistance:  $> 100M\Omega$  (DC250V);
4. Withstand voltage: 500VAC ;
5. Insertion and extraction force: 3-25N;
6. life test: 5,000 cycles.

**SCHEMATIC**



	MATERIAL	PLATING
terminal 2	Phosphor Bronze	tin
terminal 3	Phosphor Bronze	tin
terminal 4	Phosphor Bronze	tin
plastic	Pbt	

MARK	DESCRIPTION	DATE	REVISED	APPROVED	ANGLAR	±5°	DSND	DATE	SCALE: N/A	MODEL TYPE:	
Δx					X.X	±0.2mm	DWN	DATE	VIEW:	3.5 PHONE JACK	
Δx					X.XX	±0.1mm	CHKD	DATE	UNIT: mm	PART NO.:	
Δx					X.XXX	±0.05mm	APPD	DATE	SIZE: A4	DWG NO.: <b>PJ-376X-X</b>	
REVISIONS							UNSPECIFIED TOLERANCES		KOSOD TECHNOLOGY CO., LTD		
www.bqdongkaiguan.net		www.ksdkg.com						WEIGHT		SHEET	REVISION
								1.0g		1/1	A0