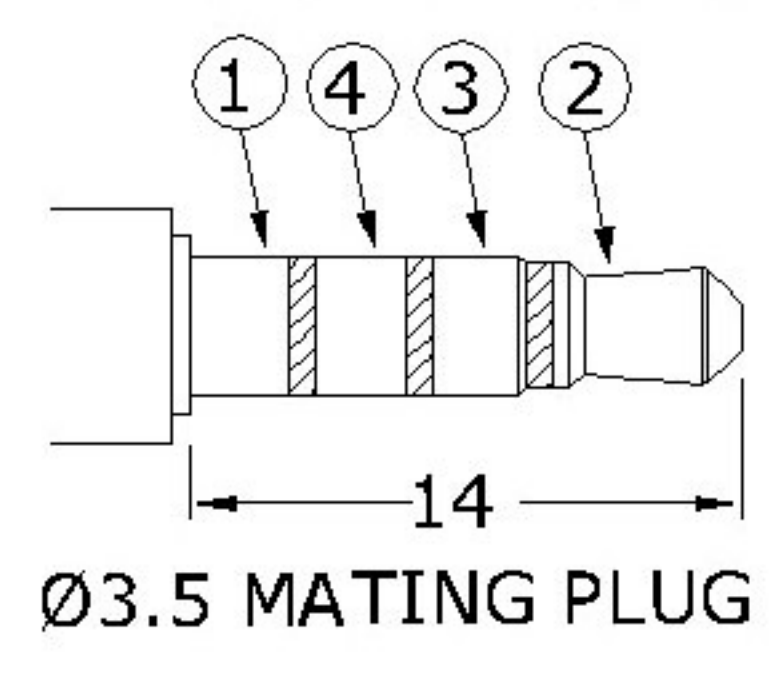


Recommended PCB Layout
Top View

Model No.	PJ-35943 -SMT	PJ-35944 -SMT
Schematic		
PIN		
1	NP	sleeve
2	tip	tip
3	ring 1	ring 1
4	ring 2	ring 2



△ X △ X △ X MARK	DESCRIPTION	DATE	REVISED	APPROVED	units: mm	DSND	DATE	SCALE: N/A	MODEL TYPE: 3.5 SMT PHONE JACK
	REVISIONS				tolerance:	DWN	DATE	VIEW:	PART NO.:
	www.bodongkaiguan.net				X.X ±0.2mm	CHKD	DATE	UNIT: mm	DWG NO.:
	www.ksdkg.com				X.XX ±0.1mm	APPD	DATE	SIZE: A4	PJ-3594X-SMT
					X.XXX ±0.05mm	KOSOD TECHNOLOGY CO., LTD			WEIGHT 1.0g
					UNSPECIFIED TOLERANCES				SHEET 1/1
									REVISION A0