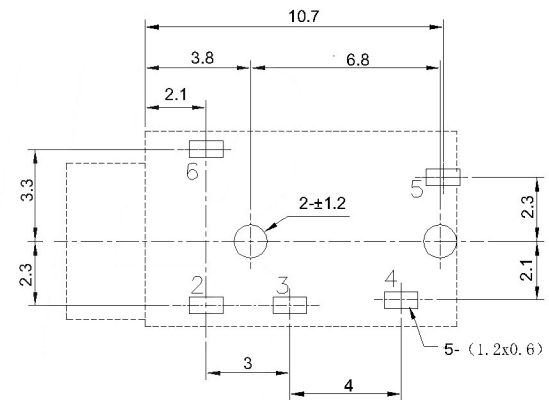


**P. C. B LAYOUT  
TOP VIEW**



	MATERIAL	PLATING
terminal 2	Phosphor Bronze	tin
terminal 3	Phosphor Bronze	tin
terminal 4	Phosphor Bronze	tin
terminal 5	Phosphor Bronze	tin
terminal 6	Phosphor Bronze	tin
plastic	Pbt	

REVISIONS					UNSPECIFIED TOLERANCES	DSND	DATE	SCALE: N/A	MODEL TYPE:			
ΔX					ANGULAR				3.5 PHONE JACK			
ΔX					X.X	±5°						
ΔX					X.XX	±0.2mm		VIEW:	PART NO.:			
MARK	DESCRIPTION	DATE	REVISED	APPROVED	X.XXX	±0.1mm		UNIT: mm	DWG NO.:			
						±0.05mm		SIZE: A4	<b>PJ-320E</b>			
www.bodongkaiguan.net					www.ksdkg.com		KOSOD TECHNOLOGY CO., LTD			WEIGHT	SHEET	REVISION
										1.0g	1/1	A0