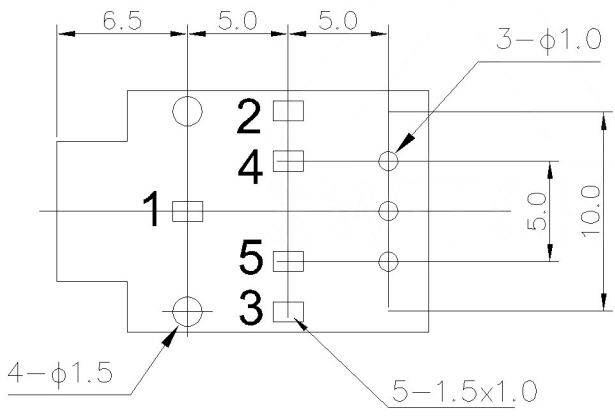


color B: Black W: White



	MATERIAL	PLATING
terminal 1	Phosphor Bronze	tin
terminal 2	Phosphor Bronze	tin
terminal 3	Phosphor Bronze	tin
terminal 4	Brass	tin
terminal 5	Brass	tin
plastic	Pbt	

					ANGULAR	±5°	DSND	DATE	SCALE: N/A	MODEL TYPE:		
Δx					X.X	±0.2mm	DWN	DATE	VIEW:	3.5 PHONE JACK		
Δx					X.XX	±0.1mm	CHKD	DATE	UNIT: mm	PART NO.:		
Δx					X.XXX	±0.05mm	APPD	DATE	SIZE: A4	DWG NO.: PJ-317A-X		
MARK	DESCRIPTION	DATE	REVISED	APPROVED	UNSPECIFIED TOLERANCES		KOSOD TECHNOLOGY CO., LTD			WEIGHT	SHEET	REVISION
REVISIONS										1.0g	1/1	A0
www.bodongkaiguan.net www.ksdkg.com												