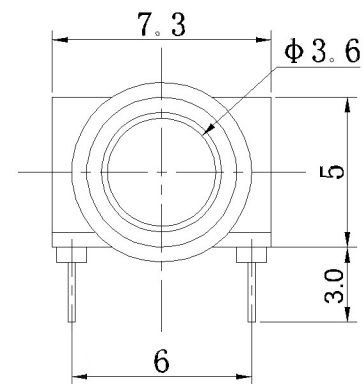
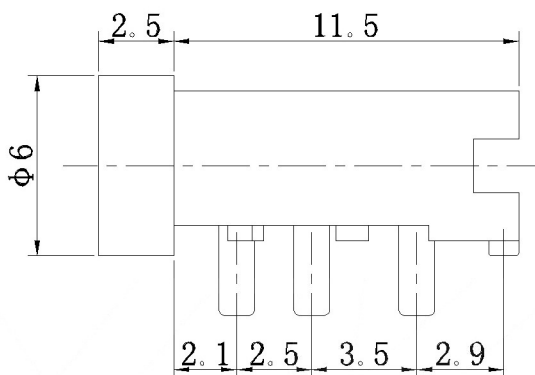
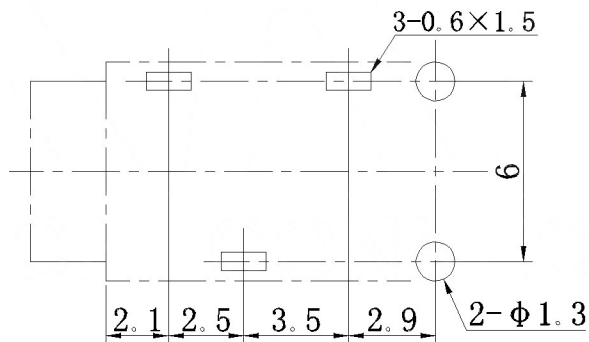
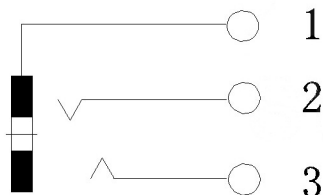


PJ-309A-1



Copper set
PJ-309A-2



	MATERIAL	PLATING
terminal 1	Phosphor Bronze	tin
terminal 2	Phosphor Bronze	tin
terminal 3	Phosphor Bronze	tin
plastic	Pbt	

					ANGLAR	±5°	DSND		DATE		SCALE: N/A	MODEL TYPE: 3.5 PHONE JACK	
Δx					X.X	±0.2mm	DWN		DATE		VIEW:	PART NO.:	
Δx					X.XX	±0.1mm	CHKD		DATE		UNIT: mm	DWG NO.:	
Δx					X.XXX	±0.05mm	APPD		DATE		SIZE: A4	PJ-309A-X	
MARK	DESCRIPTION	REVISIONS	DATE	REVISED	APPROVED	UNSPECIFIED TOLERANCES	KOSOD TECHNOLOGY CO., LTD			WEIGHT	SHEET	REVISION	
	www.bodongkaiguan.net	www.ksdkg.com									1.0g	1/1	A0