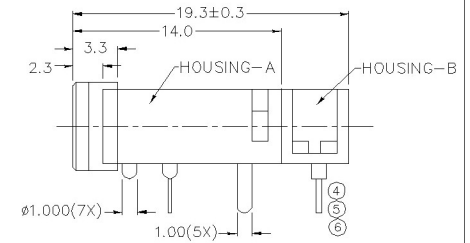
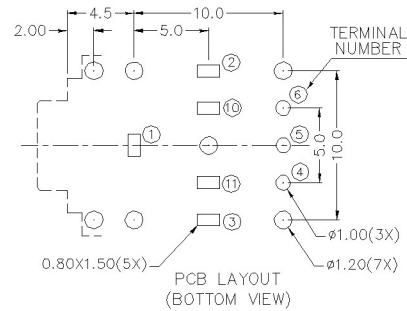
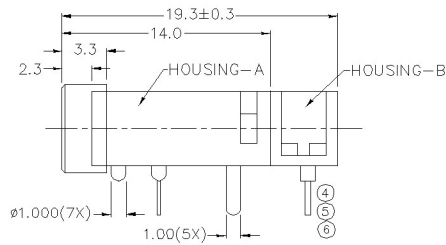


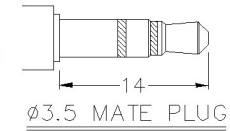
PJ-307AX-1



Copper set

PJ-307AX-2

MODEL NO.	PJ-307A0-	PJ-307A1-	PJ-307A2-	PJ-307A3-	PJ-307A4-	PJ-307A5-
SCHEMATIC						



	MATERIAL	PLATING
terminal 1	Phosphor Bronze	tin
terminal 2	Phosphor Bronze	tin
terminal 3	Phosphor Bronze	tin
terminal 10	Brass	tin
terminal 11	Brass	tin
plastic	Pbt	

MARK	DESCRIPTION	DATE	REVISED	APPROVED	UNSPECIFIED TOLERANCES	DSND	DATE	SCALE: N/A	MODEL TYPE: 3.5 PHONE JACK
Δx					ANGLAR ±5°	DWN	DATE	VIEW:	PART NO.:
Δx					X.X ±0.2mm	CHKD	DATE	UNIT: mm	DWG NO.:
Δx					X.XX ±0.1mm	APPD	DATE	SIZE: A4	PJ-307AX-X
					X.XXX ±0.05mm				WEIGHT 1.0g
									SHEET 1/1
									REVISION A0