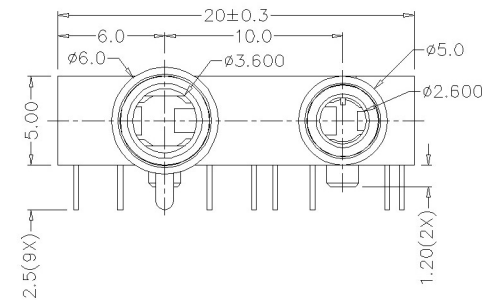
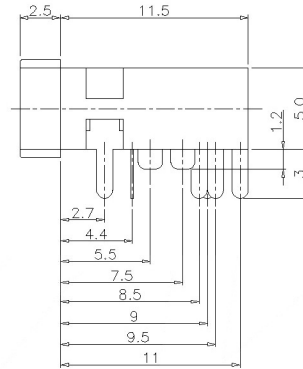
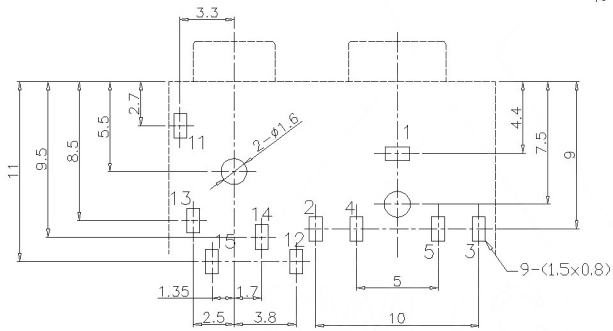


PJ-3057X-1

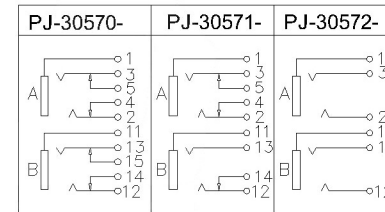


Copper set  
PJ-3057X-2



RECOMMENDED P. C. B. LAYOUT  
UNSPECIFIED TOLERANCE: ±0.05  
(TOP VIEW)

SCHEMATIC



	MATERIAL	PLATING
terminal 1	Phosphor Bronze	tin
terminal 2	Phosphor Bronze	tin
terminal 3	Phosphor Bronze	tin
terminal 4	Brass	tin
terminal 5	Brass	tin
plastic	Pbt	

	MATERIAL	PLATING
terminal 11	Phosphor Bronze	tin
terminal 12	Phosphor Bronze	tin
terminal 13	Phosphor Bronze	tin
terminal 14	Brass	tin
terminal 15	Brass	tin
plastic	Pbt	

MARK	DESCRIPTION	DATE	REVISED	APPROVED	UNSPECIFIED TOLERANCES	DSND	DATE	SCALE: N/A	MODEL TYPE: 3.5 PHONE JACK
ΔX					ANGULAR ±5°	DWN	DATE	VIEW:	PART NO.:
ΔX					X.X ±0.2mm	CHKD	DATE	UNIT: mm	DWG NO.:
ΔX					X.XX ±0.1mm	APPD	DATE	SIZE: A4	PJ-3057X-X
					X.XXX ±0.05mm				WEIGHT 1.0g
									SHEET 1/1
									REVISION A0

www.bodongkaiguan.net www.ksdkg.com

Kosod Technology Co., Ltd.