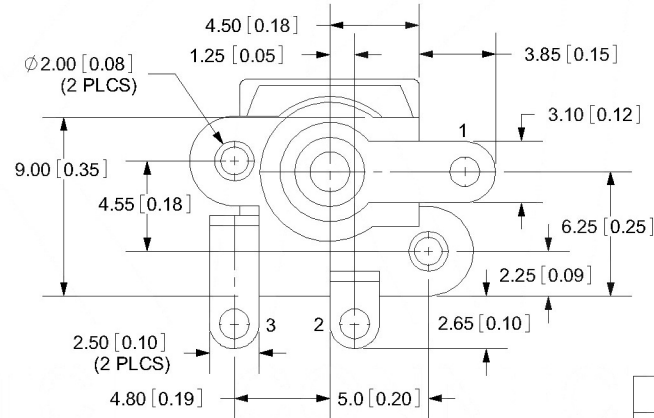
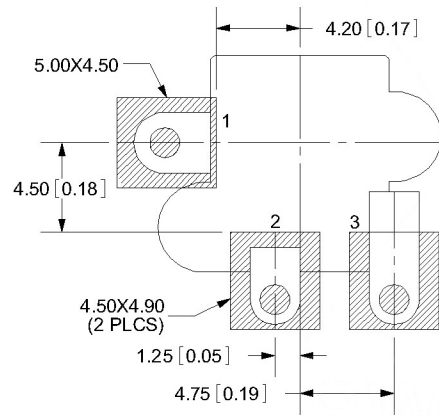
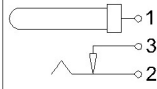



MATING PLUG
Jack Insertion Depth: 8.95mm



SCHEMATIC	
Model	DC-531
Center Pin	Ø2.0 mm
	Ø2.5 mm

	MATERIAL	PLATING
center pin	Brass	tin
terminal 1	Brass	tin
terminal 2	Phosphor Bronze	tin
terminal 3	Brass	tin
plastic	PA6T	

MARK	DESCRIPTION	DATE	REVISED	APPROVED	ANGULAR	±5°
△x					X.X	±0.2mm
△x					X.XX	±0.1mm
△x					X.XXX	±0.05mm
UNSPECIFIED TOLERANCES						
www.bodongkaiguan.net www.ksdkg.com						

DSND	DATE	SCALE: N/A	MODEL TYPE:
DWN	DATE	VIEW: 	DC POWER JACK
CHKD	DATE	UNIT: mm	PART NO.:
APPD	DATE	SIZE: A4	DWG NO.: DC-531-2.0
Kosod Technology Co., Ltd.			WEIGHT: 1.0g
			SHEET: 1/1
			REVISION: A0