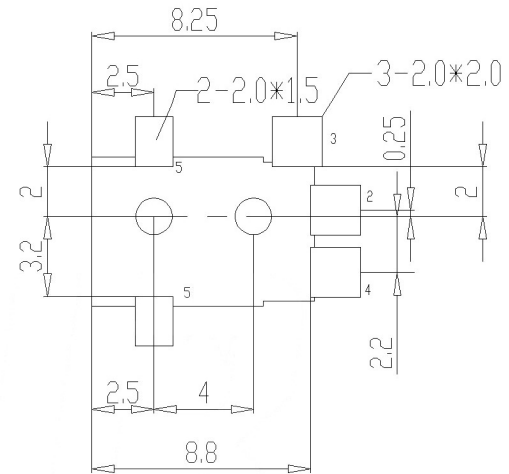


P.C.B LAYOUT TOP VIEW



SCHEMATIC	
Model	DC-045B-X
Center Pin	Ø1.0 mm
	Ø1.3 mm

	MATERIAL	PLATING
axis support	Brass	silver
center pin	Brass	silver
plastic	Pbt	
terminal 1	Brass	silver
terminal 2	Phosphor Bronze	silver
terminal 3	Brass	silver

					ANGLAR	±5°	DSND	DATE	SCALE: N/A	MODEL TYPE: DC POWER JACK			
Δx					X.X	±0.2mm	DWN	DATE	VIEW:	PART NO.:			
Δx					X.XX	±0.1mm	CHKD	DATE	UNIT: mm	DWG NO.: DC-045B-X			
Δx					X.XXX	±0.05mm	APPD	DATE	SIZE: A4				
MARK	DESCRIPTION	DATE	REVISED	APPROVED	UNSPECIFIED TOLERANCES			Kosod Technology Co., Ltd.			WEIGHT 1.0g	SHEET 1/1	REVISION A0