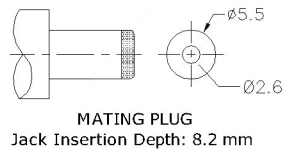
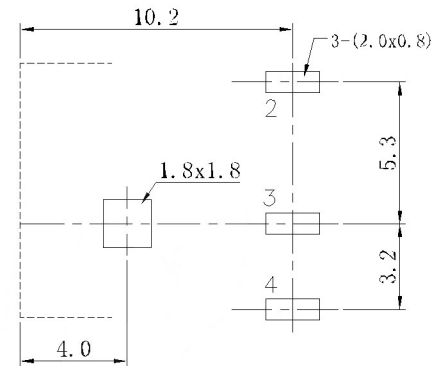


**P. C. B LAYOUT  
TOP VIEW**



SCHEMATIC	
Model	DC-0440-2.5A
Center Pin	Ø1.65 mm
	Ø2.0 mm
	Ø2.5 mm

	MATERIAL	PLATING
center pin	Brass	silver
terminal 1	Brass	silver
terminal 2	Phosphor Bronze	silver
terminal 3	Brass	silver
plastic	Pbt	

MARK	DESCRIPTION	DATE	REVISED	APPROVED	ANGLAR	±5°
Δ X					X.X	±0.2mm
Δ X					X.XX	±0.1mm
Δ X					X.XXX	±0.05mm
					UNSPECIFIED TOLERANCES	

DSND		DATE		SCALE: N/A	MODEL TYPE: DC POWER JACK
DWN		DATE		VIEW:	PART NO.:
CHKD		DATE		UNIT: mm	DWG NO.:
APPD		DATE		SIZE: A4	DC-0440-2.5A-2.5
				Kosod Technology Co., Ltd.	WEIGHT 1.0g
					SHEET 1/1
					REVISION A0