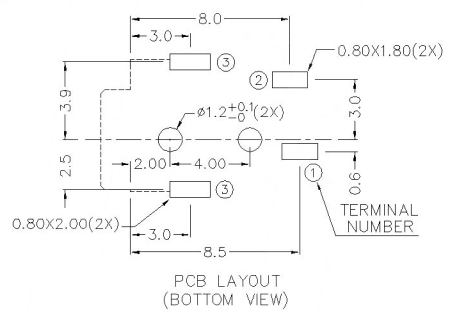


SCHEMATIC		1
		2
Model	DC-0310	
Center Pin	Ø1.0 mm	
	Ø1.3 mm	



	MATERIAL	PLATING
axis support	Brass	tin
center pin	Brass	tin
plastic	Pbt	
terminal 1	Brass	tin
terminal 2	Phosphor Bronze	tin
terminal 3	Brass	tin

				ANGLAR	±5°	DSND	DATE	SCALE: N/A	MODEL TYPE: DC POWER JACK
Δ X				X.X	±0.2mm	DWN	DATE	VIEW:	PART NO.:
Δ X				X.XX	±0.1mm	CHKD	DATE	UNIT: mm	DWG NO.:
Δ X				X.XXX	±0.05mm	APPD	DATE	SIZE: A4	DC-0310-1.3
MARK	DESCRIPTION	DATE	REVISED	APPROVED	UNSPECIFIED TOLERANCES	KOSOD TECHNOLOGY CO., LTD			WEIGHT 1.0g
REVISIONS								SHEET	REVISION
www.bodongkaiguan.net		www.ksdkg.com						1/1	A0