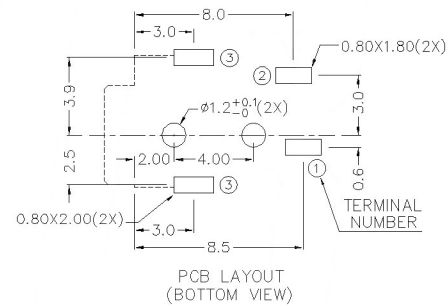


SCHEMATIC		1
		3
Model	DC-0310	
Center Pin		2
		Ø1.0 mm
		Ø1.3 mm



	MATERIAL	PLATING
axis support	Brass	tin
center pin	Brass	tin
plastic	Pbt	
terminal 1	Brass	tin
terminal 2	Phosphor Bronze	tin
terminal 3	Brass	tin

					ANGLAR	±5°	DSND	DATE	SCALE: N/A	MODEL TYPE:		
Δ X					X.X	±0.2mm	DWN	DATE	VIEW:	DC POWER JACK		
Δ X					X.XX	±0.1mm	CHKD	DATE	UNIT: mm	PART NO.:		
Δ X					X.XXX	±0.05mm	APPD	DATE	SIZE: A4	DWG NO.:		
MARK	DESCRIPTION	REVISIONS	DATE	REVISED	APPROVED	UNSPECIFIED TOLERANCES	KOSOD TECHNOLOGY CO., LTD			DC-0310-1.0		
www.bodongkaiguan.net		www.ksdkg.com								WEIGHT	SHEET	REVISION
										1.0g	1/1	A0