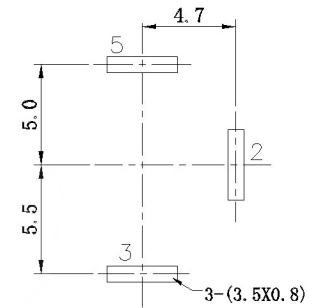
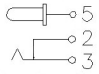



P.C.B LAYOUT
TOP VIEW



SCHEMATIC	
Model	DC-0130
Center Pin	Ø2.0 mm
	Ø2.5 mm

	MATERIAL	PLATING
center pin	Brass	tin
terminal 1	Brass	tin
terminal 2	Sus	tin
terminal 3	Brass	tin
plastic	Pbt	
Cover	Pf	

MARK	DESCRIPTION	DATE	REVISED	APPROVED	UNSPECIFIED TOLERANCES	ANGLAR	±5°	DSND	DATE	SCALE: N/A	MODEL TYPE: DC POWER JACK	
Δ X						X.X	±0.2mm	DWN	DATE	VIEW: 	PART NO.:	
Δ X						X.XX	±0.1mm	CHKD	DATE	UNIT: mm	DWG NO.:	
Δ X						X.XXX	±0.05mm	APPD	DATE	SIZE: A4	DC-0130-2.5A-2.0	
www.bodongkaiguan.net www.ksdkg.com						KOSOD TECHNOLOGY CO., LTD				WEIGHT	SHEET	REVISION
										1.0g	1/1	A0