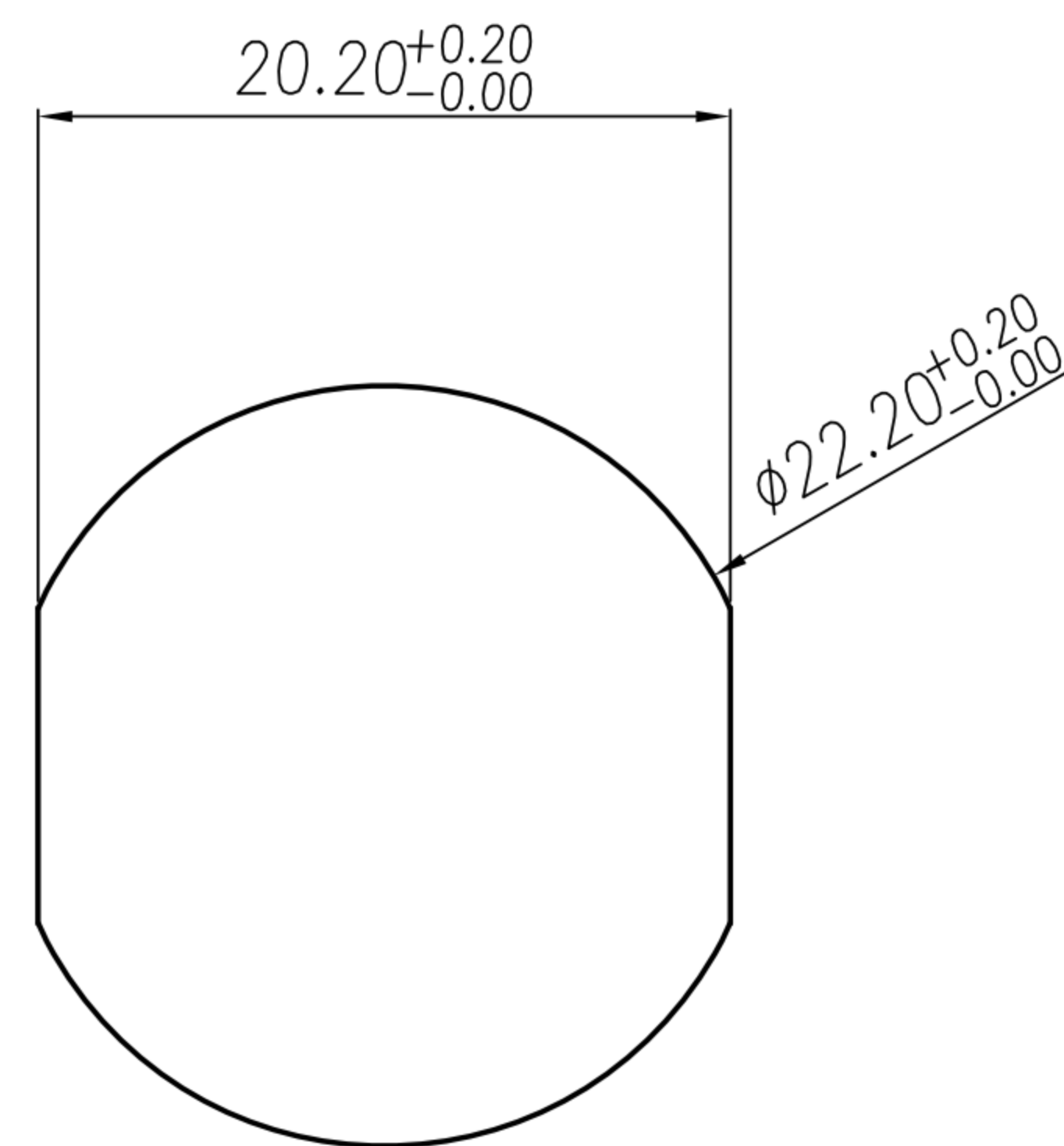
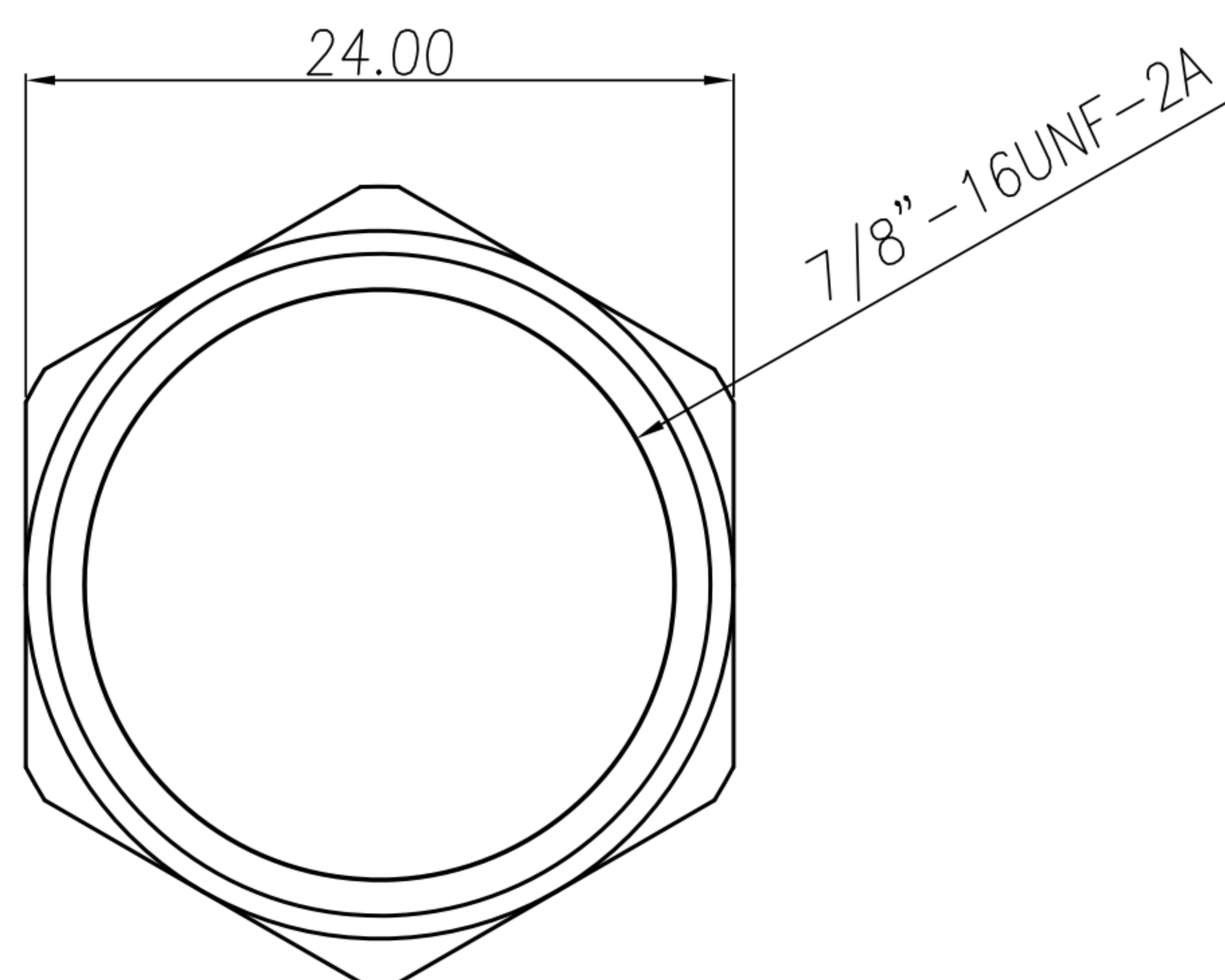
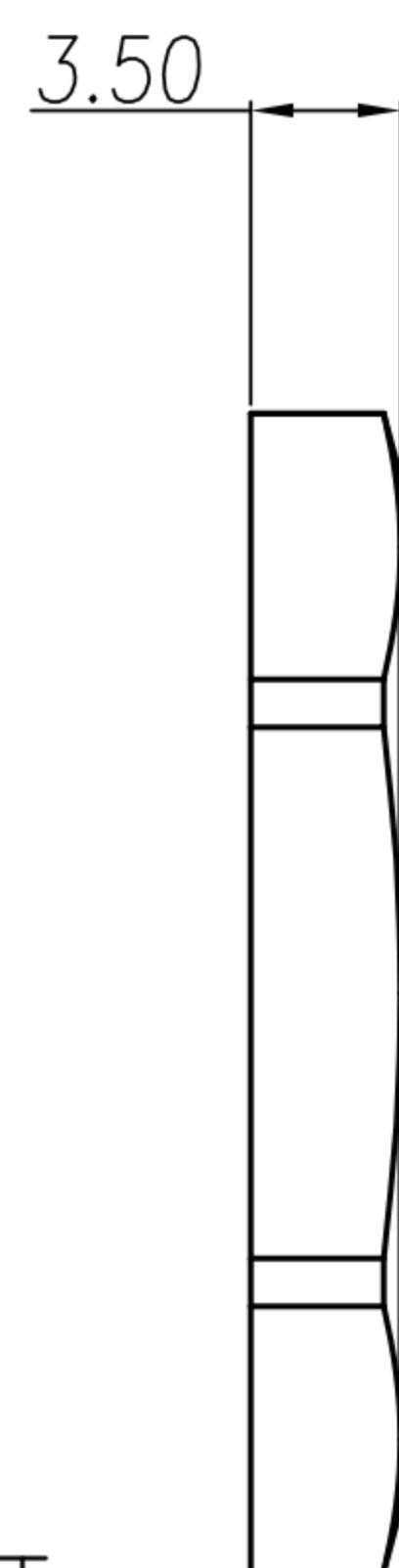
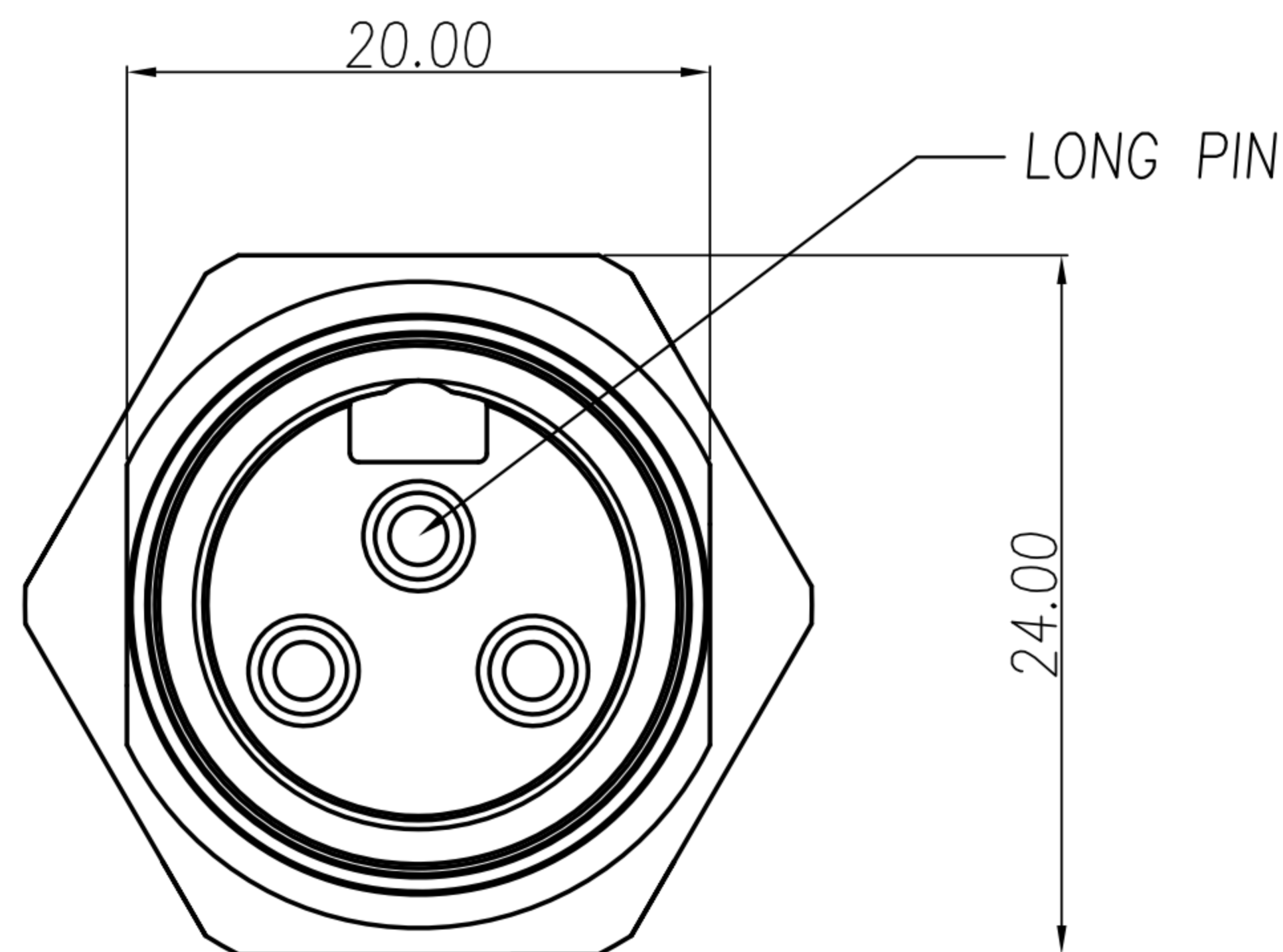
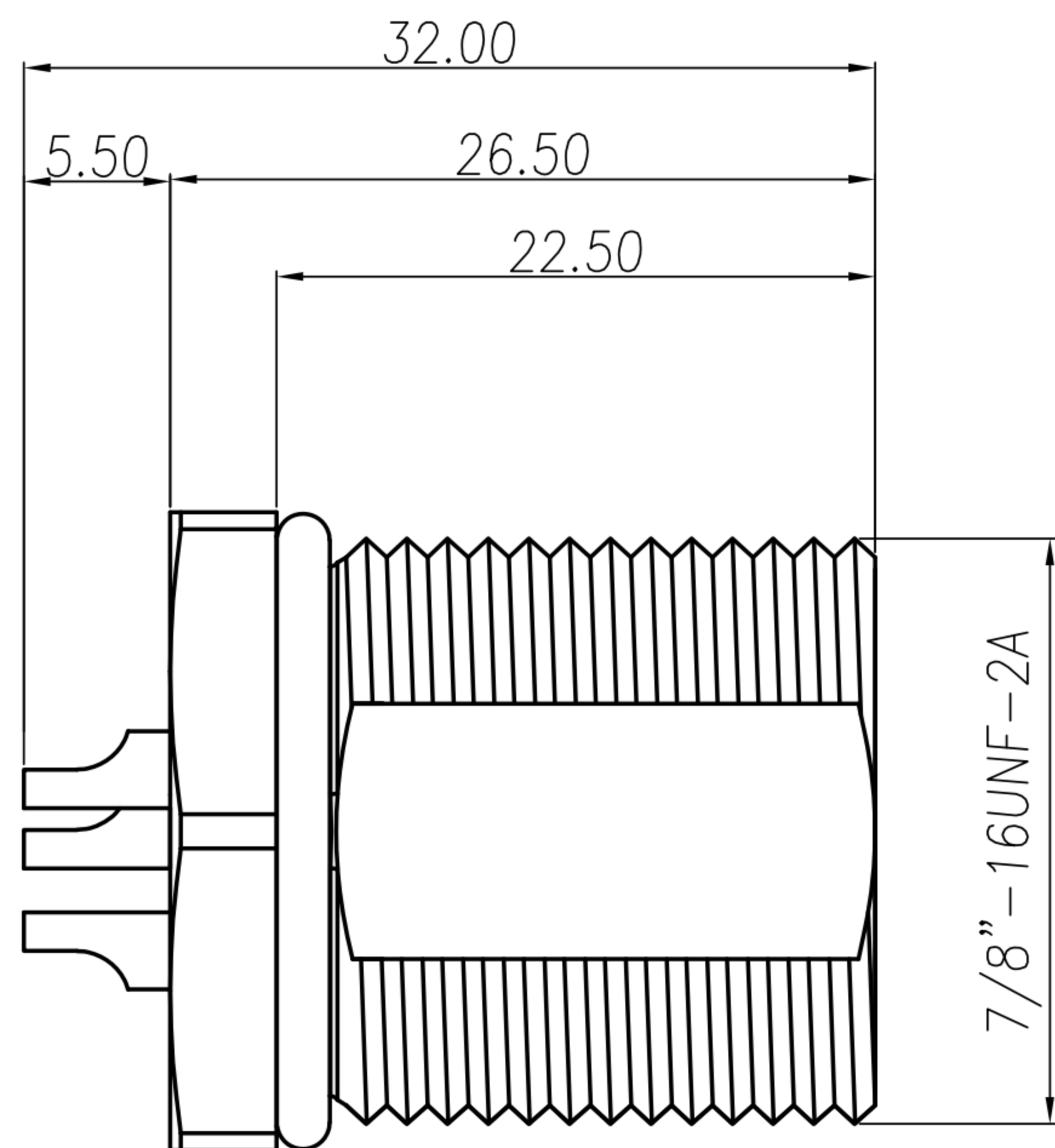


CUSTOMER DRAWING

REV.	DESCRIPTION	APPROVED BY	DATE	ECN NO.
A	RELEASE	Fido Weng	07/06/16	
B				
C				



- MATERIAL :
 - 1-1. HOUSING : TPU ; COLOR : YELLOW
 - 1-2. CONTACT : BRASS
 - 1-3. O-RING : EPDM ; COLOR : BLACK
 - 1-4. SHELL : BRASS.
 - 1-5. NUT : BRASS.
- FINISH :
 - 2-1. CONTACT : GOLD FLASH OVER ALL
 - 2-2. SHELL : NICKEL PLATED OVER ALL
 - 2-3. NUT : NICKEL PLATED OVER ALL
- ELECTRICAL SPECIFICATION :
 - 3-1. Rated current : 20A
 - 3-2. Rated voltage : 250V
 - 3-3. Water proof : IP68
- Environmental :
 - 4-1. Operation Temperature : -40℃~105℃

NUT

PANEL CUT-OUT

DRAWN	Ku Chou	APP'D	Emily Suen	UNIT	mm	TOLERANCE			TITLE	WP 3PIN(M) 插孔7/8"-16UNF-2A 螺柱式(线对线)(防呆斜平面)			SHEET	1
CHK'D	Emily Suen			SCALE	1:1	.x ±0.25 .xx ±0.20 .xxx ±0.10 .xxxx ±0.03 ANGULA ±1°			PART NO.	WP-03M2-84-11	DWG NO.	QC8173	VERSION	A

广东科斯达电子科技有限公司
GUANG DONG KE SI DA ELECTRONIC TECHNOLOGY CO., LTD.