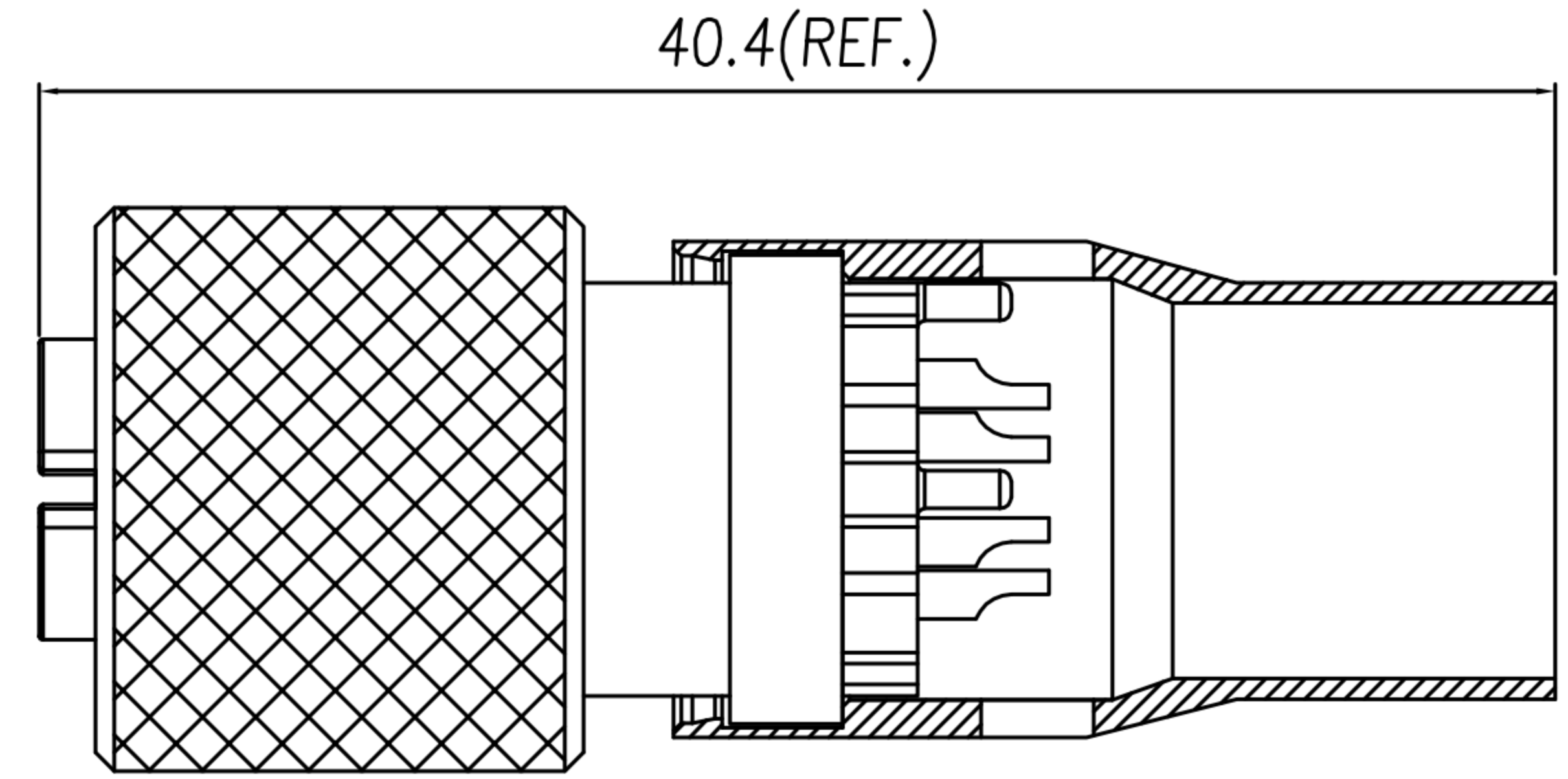
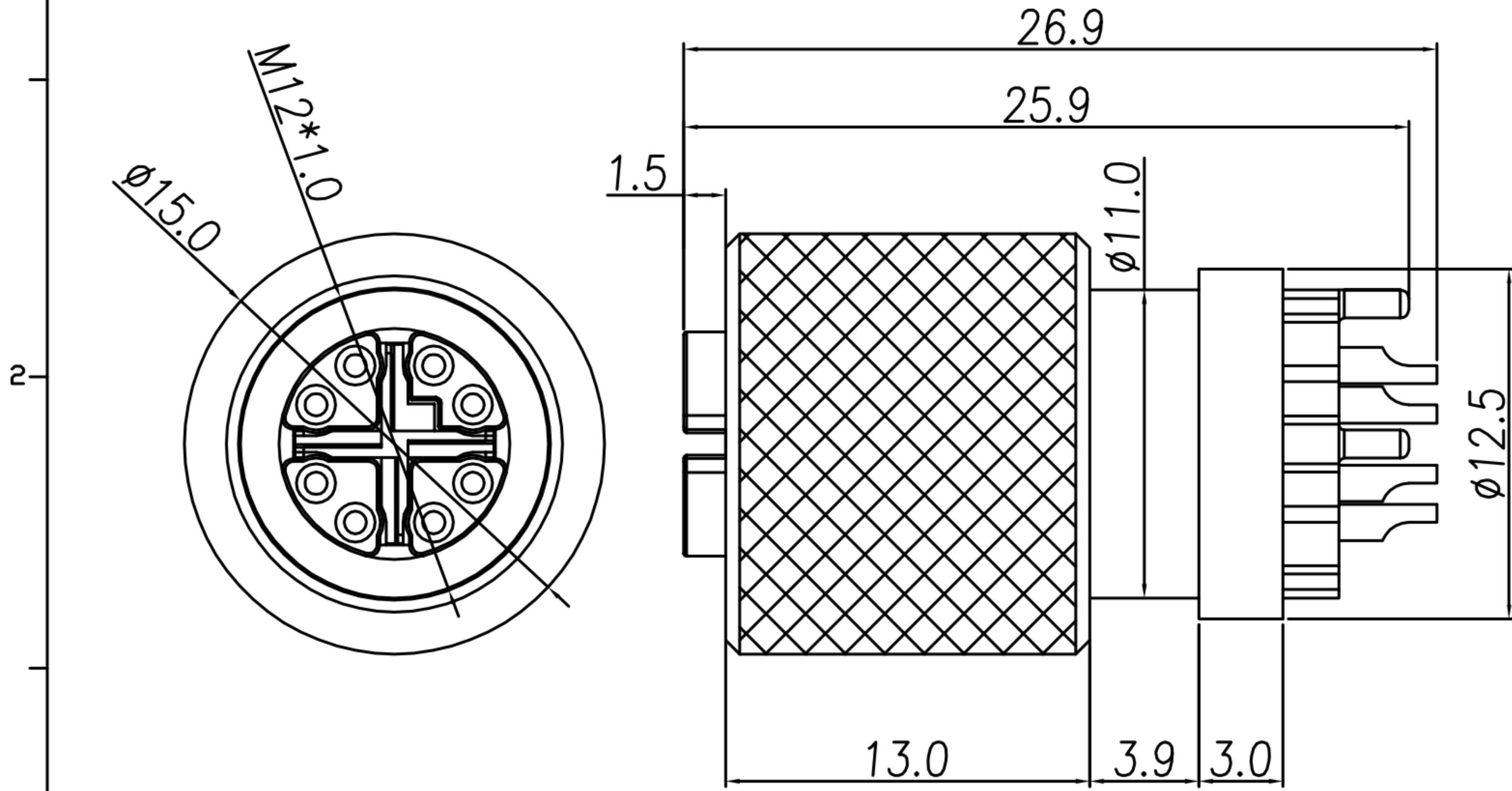


CUSTOMER DRAWING

REV.	DESCRIPTION	APPROVED BY	DATE	ECN NO.
A	RELEASE	Fido Weng	11/12/20'	
B				
C				

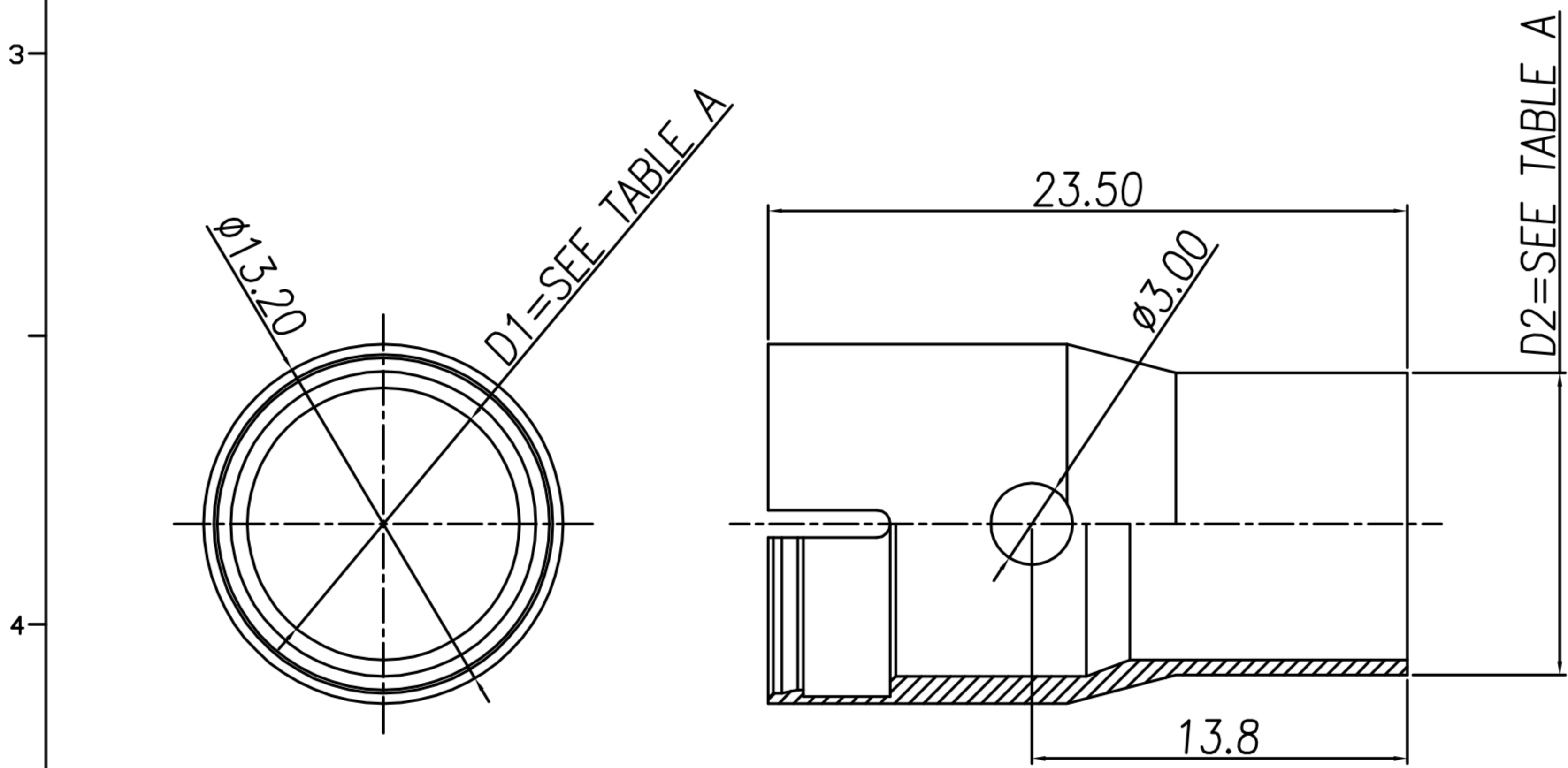


ASS'Y

TABLE A

WP-08F2-135-11	ø7.50	ø8.60
WP-08F2-121-11	ø10.00	ø11.10
PART No.	D1	D2

- MATERIAL :
 - 1-1. HOUSING : PA66 UL94V-0 ; COLOR : BLACK
 - 1-2. CONTACT : BRASS
 - 1-3. NUT : BRASS
 - 1-4. SHELL : BRASS
 - 1-5. O-RING : EPDM
 - 1-6. X-SHELL : Zn ALLOY
 - 1-7. BECK SHELL : BRASS
- FINISH :
 - 2-1. CONTACT : 10 MICRO INCHES MIN. GOLD PLATED
UNDER PLATE : NICKEL
 - 2-2. NUT : NICKEL PLATED
 - 2-3. SHELL : NICKEL PLATED
 - 2-4. X-SHELL : NICKEL PLATED
 - 2-5. BACK SHELL : NICKEL PLATED
- ELECTRICAL SPECIFICATION :
 - 3-1. Rated current : 0.5A
 - 3-2. Rated Voltage : 48V
 - 3-3. Water proof: IP67/IP68
- Environmental :
 - 4-1. Operation Temperature : -40℃~85℃



BACK SHELL

DRAWN	Ku Chou	APPEND	Fido Weng	UNIT	mm	TOLERANCE			TITLE	防水頭 M12 8PIN X-Code(F) 焊線式+接地+後銅管(線徑D1=SEE TABLE A)	SHEET	
CHKED	Emily Suen			SCALE	1:1	.x ±0.20 .xx ±0.10 .xxx ±0.05 .xxxx ±0.03 ANGULA ±1°			PART NO.	SEE TABLE A	DWG NO.	