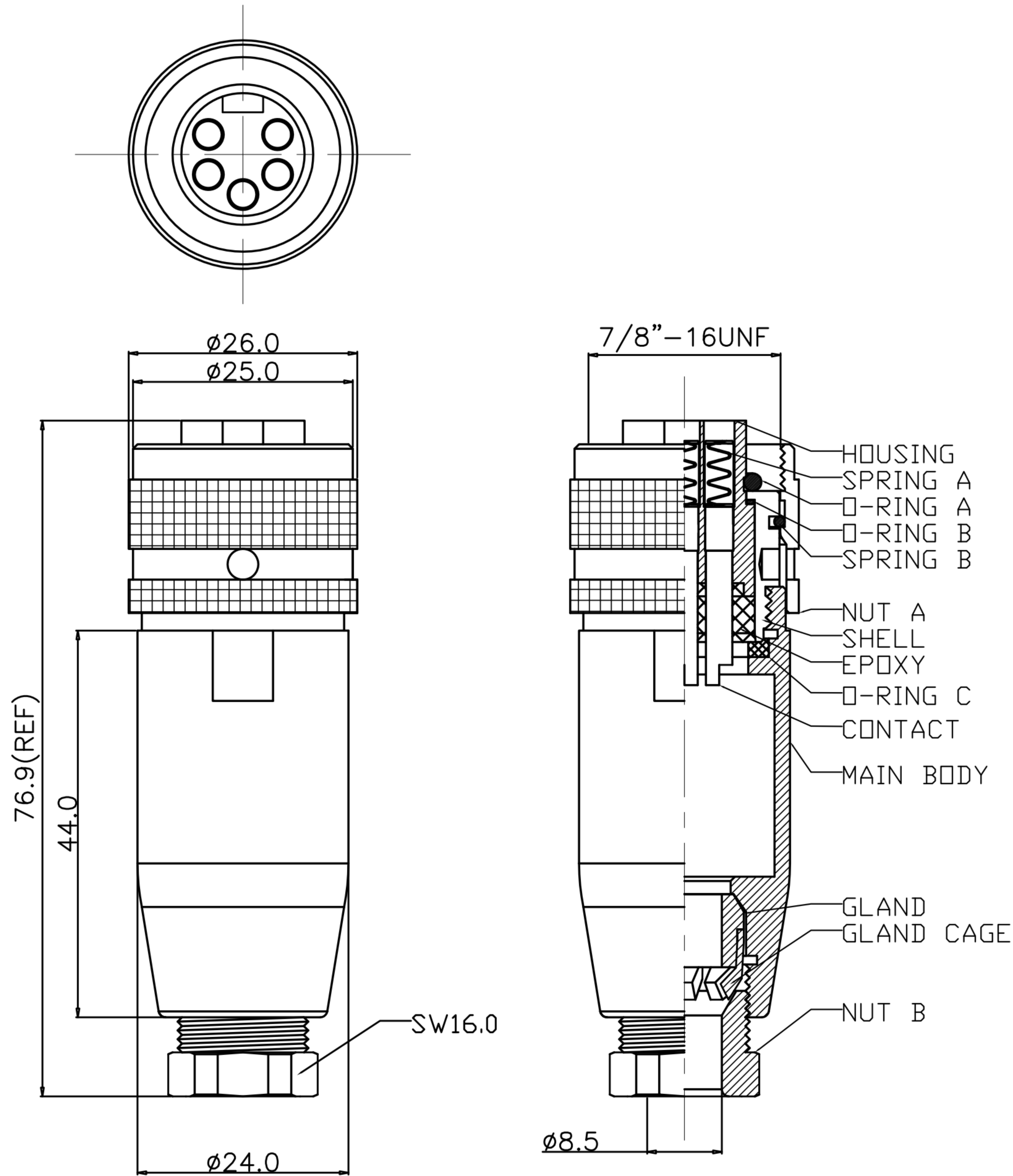


CUSTOMER DRAWING

REV.	DESCRIPTION	APPROVED BY	DATE	ECN NO.
A	RELEASE	Yeh Chou	2016/10/05	
B				
C				



1. MATERIAL :

- 1-1. HOUSING : PBT UL94V-0 ; COLOR : BLACK.
- 1-2. SPRING A : PHOSPHOR BRONZE.
- 1-3. O-RING A : EPDM ; COLOR : BLACK.
- 1-4. O-RING B : SILICONE ; COLOR : BLACK.
- 1-5. SPRING B : STAINLESS STEEL.
- 1-6. O-RING C : SILICONE ; COLOR : BLACK.
- 1-7. NUT A : BRASS.
- 1-8. SHELL : BRASS.
- 1-9. CONTACT : BRASS.
- 1-10. MAIN BODY : ALUMINIUM ALLOY.
- 1-11. GLAND : SILICONE ; COLOR : BLACK.
- 1-12. GLAND CAGE : POM ; COLOR : WHITE.
- 1-13. NUT B : ALUMINIUM ALLOY.

2. FINISH :

- 2-1. SPRING A : MATTE TIN PLATED.
- 2-2. NUT A : SATIN NICKEL PLATED.
- 2-3. SHELL : SATIN NICKEL PLATED.
- 2-4. CONTACT : 30 MICRO INCHES MIN. GOLD PLATED.
- 2-5. MAIN BODY : SATIN NICKEL PLATED.
- 2-6. NUT B : SATIN NICKEL PLATED.

3. ELECTRICAL SPECIFICATION :

- 3-1. Rated current : 20A
- 3-2. Rated voltage : 250V
- 3-3. Water proof : IP67

4. Environmental :

- 4-1. Operation Temperature : -40℃~85℃

DRAWN	Ku Chou	APP'D	Emily Suen	UNIT	mm	TOLERANCE			TITLE	7/8 5PIN (F) Assembly type—焊線式			SHEET	
CHK'D	Emily Suen			SCALE	1:1	.x ±0.25 .xx ±0.10 .xxx ±0.05 .xxxx ±0.03 ANGULA ±1°			PART NO.	WP-05F2-124-11	DWG NO.	QC7624	VERSION	

广东科斯达电子科技有限公司
GUANG DONG KE SI DA ELECTRONIC TECHNOLOGY CO., LTD.