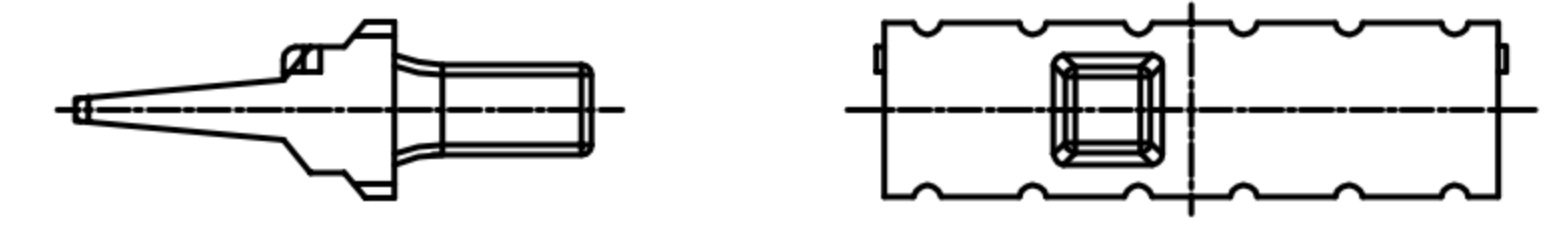
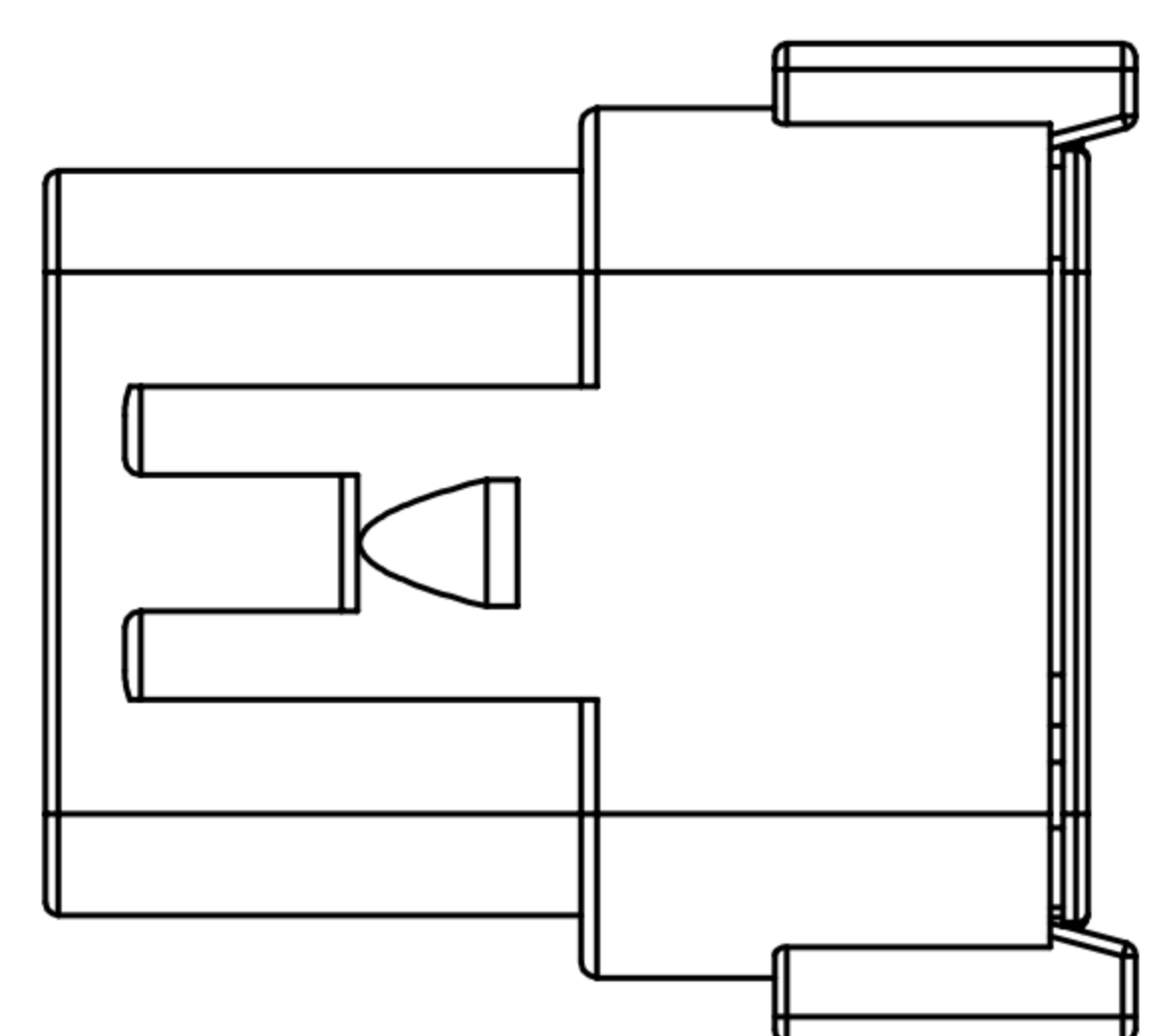
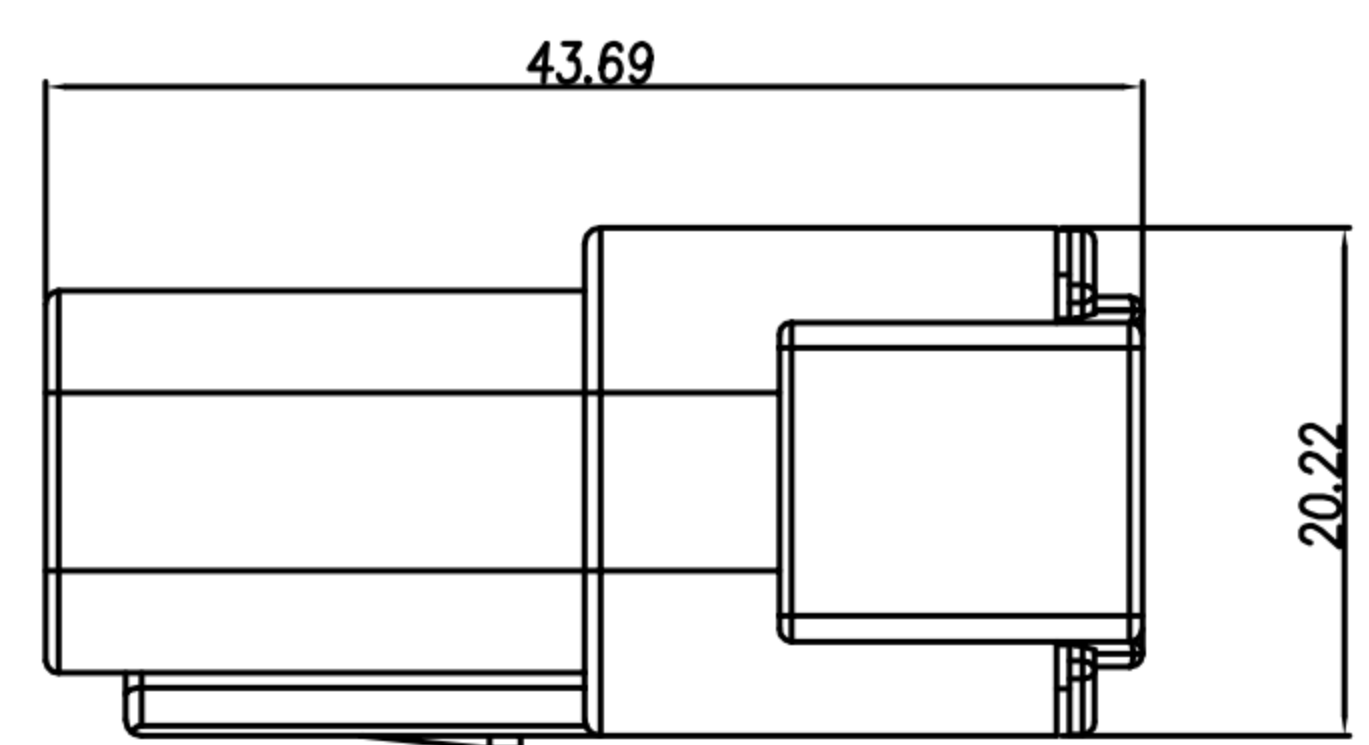
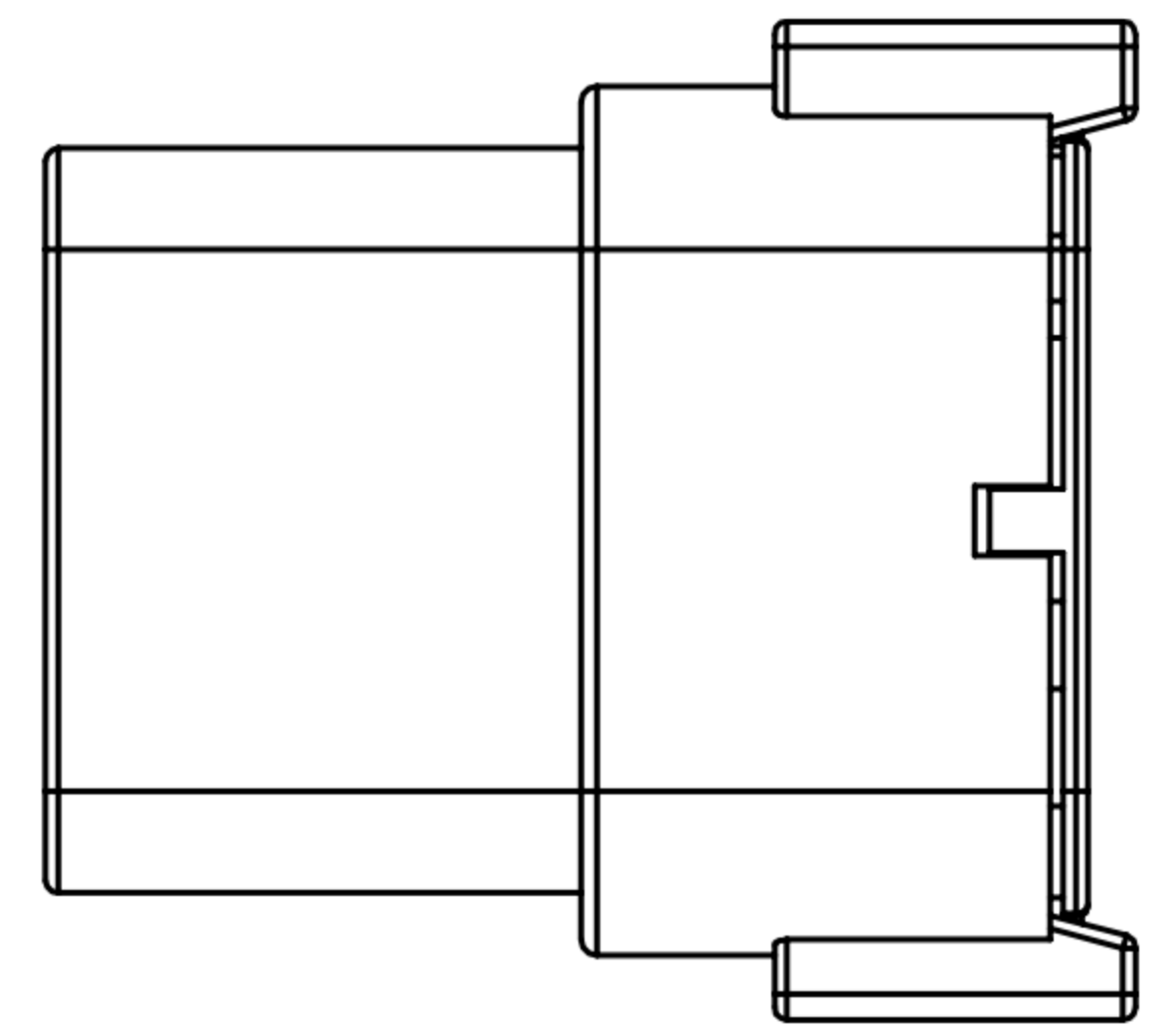
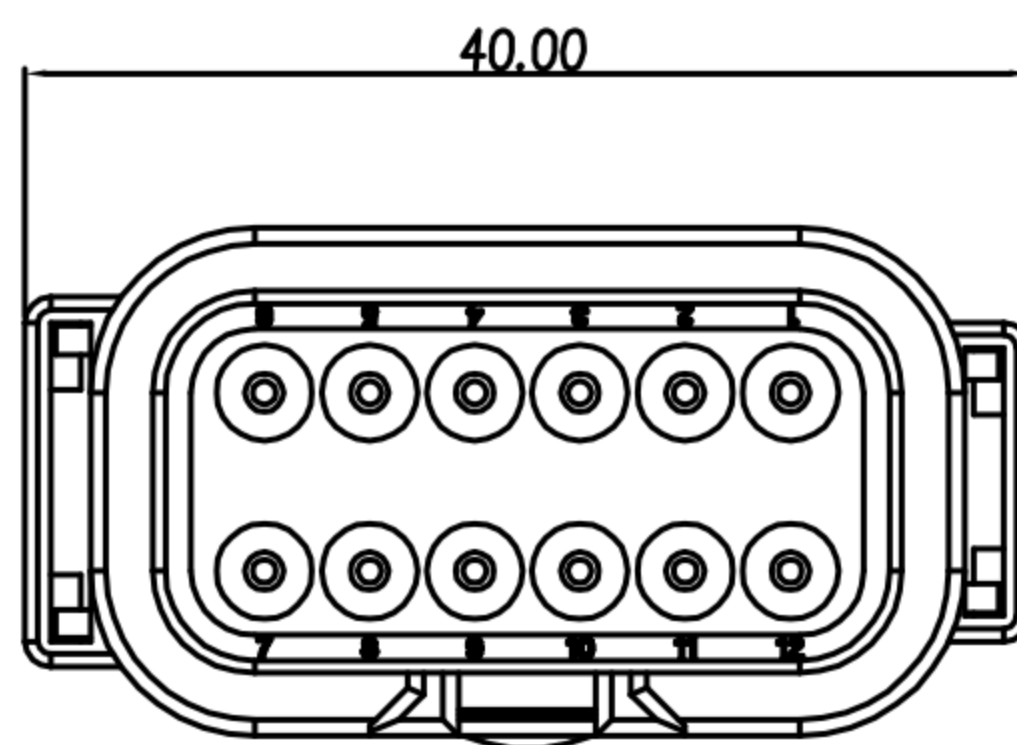
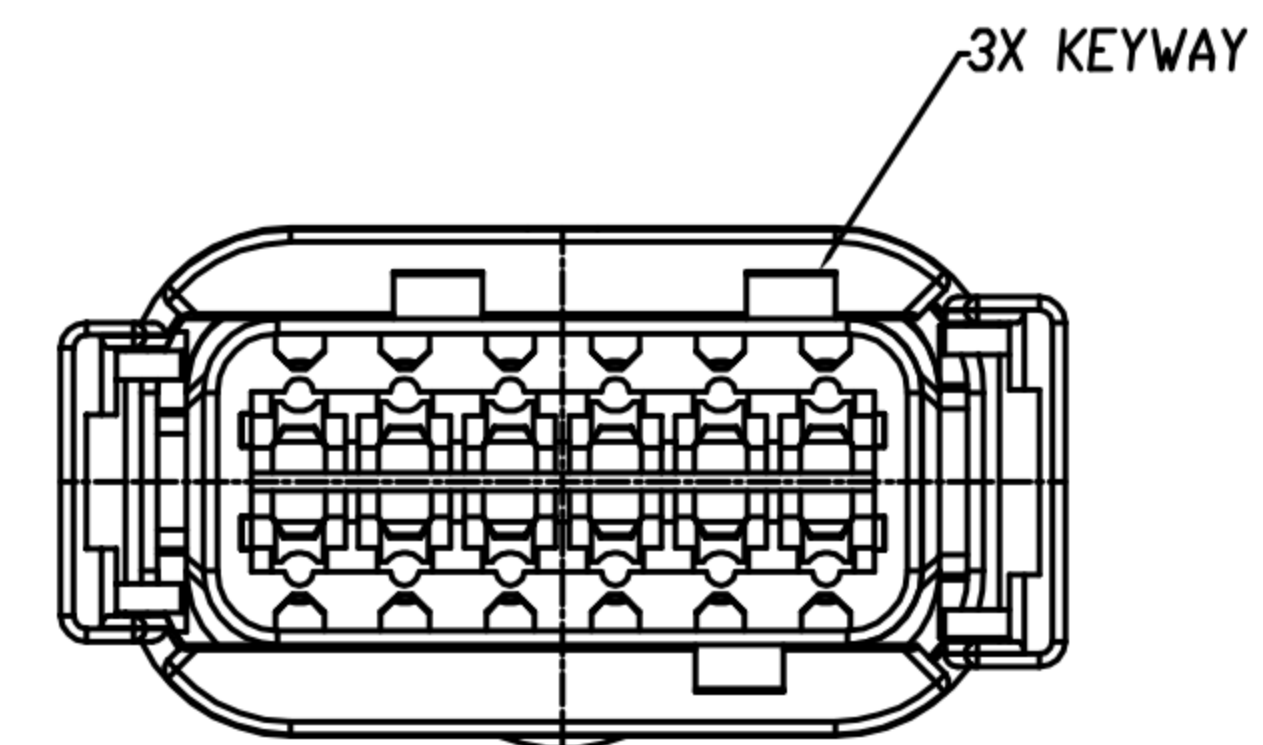


CUSTOMER DRAWING

REV.	DESCRIPTION	APPROVED BY	DATE	ECN NO.
A	RELEASE	Yeh Chou	2018/04/02	
B				
C				
D				



Wedgelock



1. MATERIAL :
 - 1-1. INSULATOR : PA66
 - 1-2. COVER : PA66
 - 1-3. GASKET : SILICONE ; COLOR : ORANGE
 - 1-4. RUBBER : SILICONE ; COLOR : ORANGE
2. ELECTRICAL SPECIFICATION :
 - 2-1. Rated current : 7.5A
 - 2-2. Rated Voltage : 250V
 - 2-3. Water proof : IP67
3. Environmental :
 - 3-1. Operation Temperature : -40°~105°

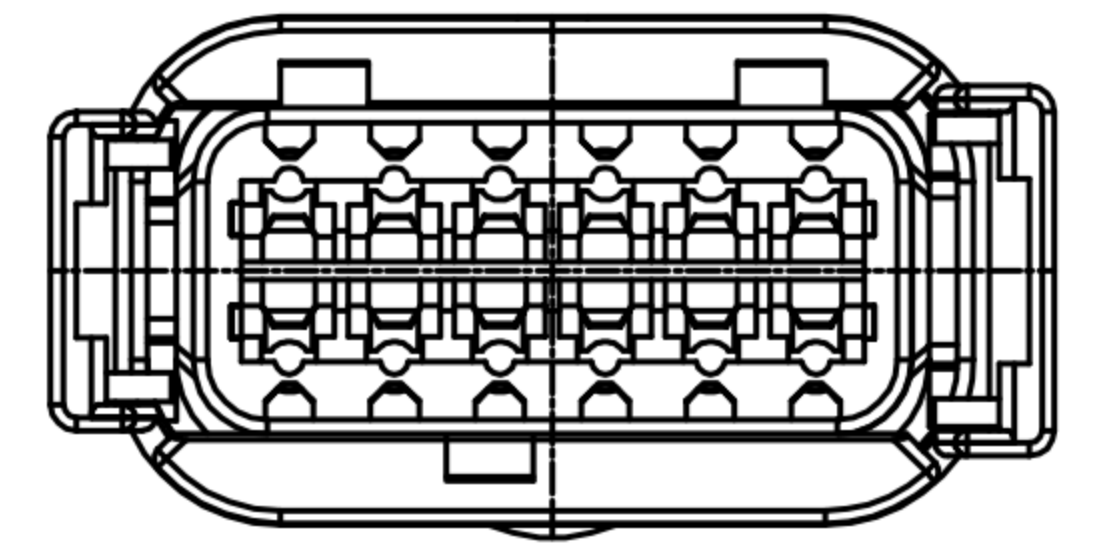
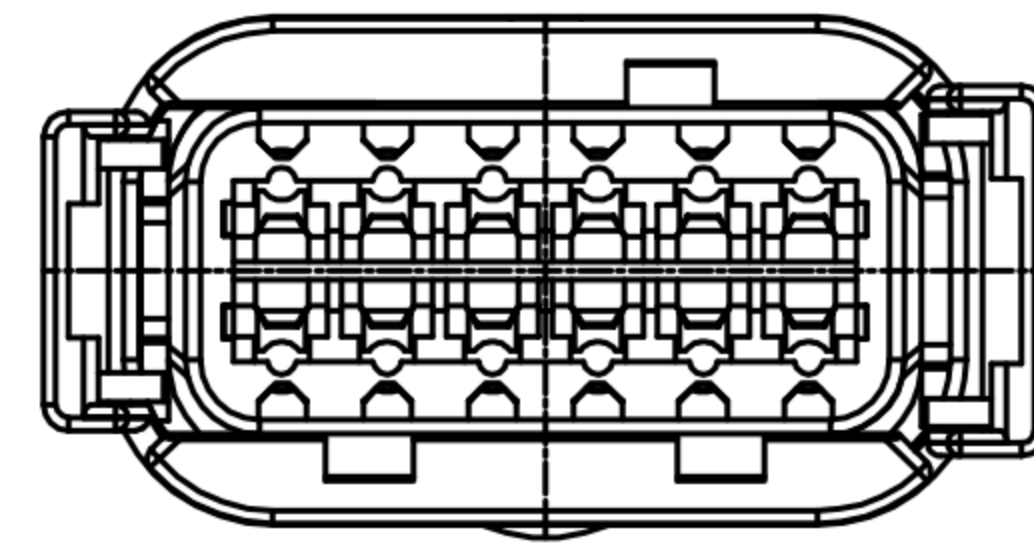
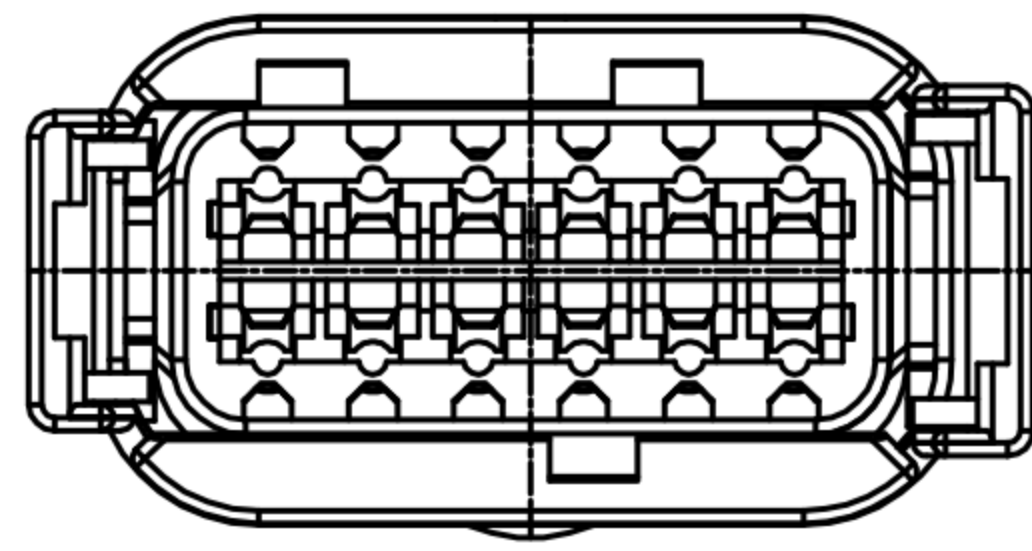
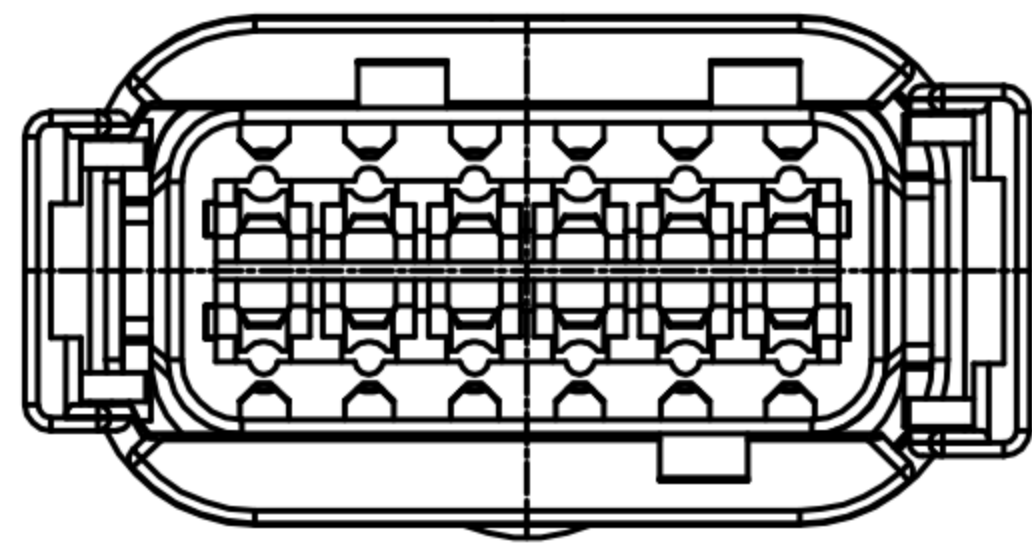
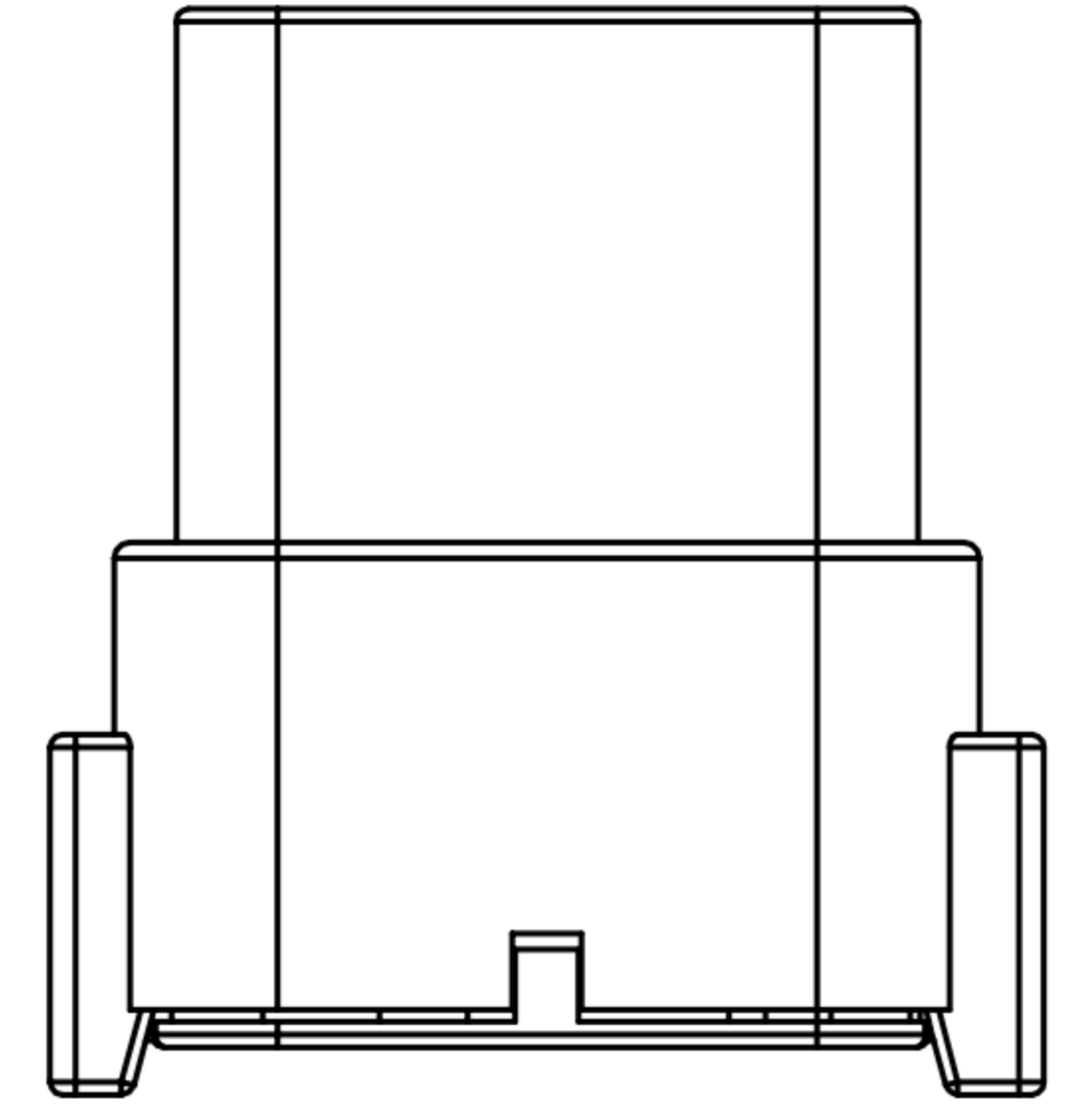
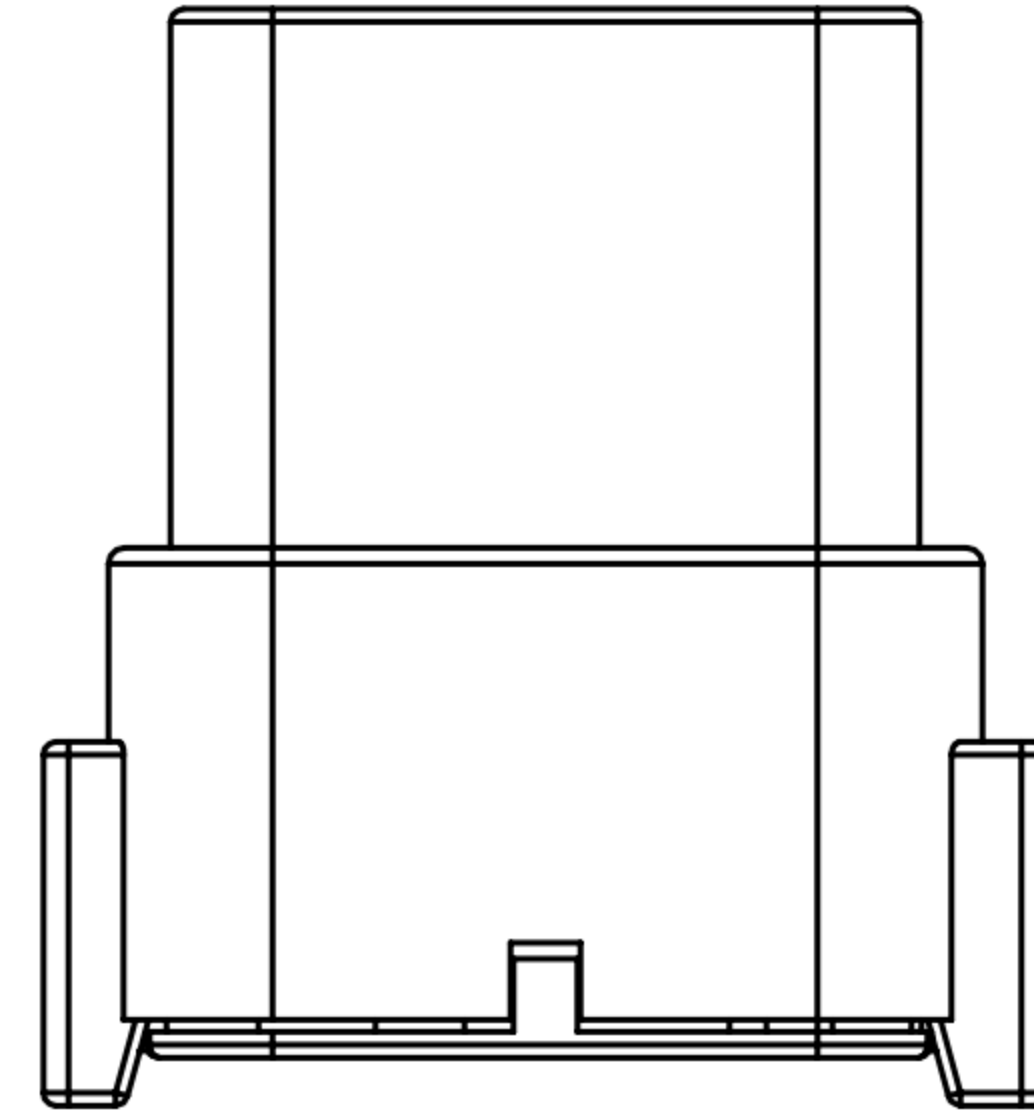
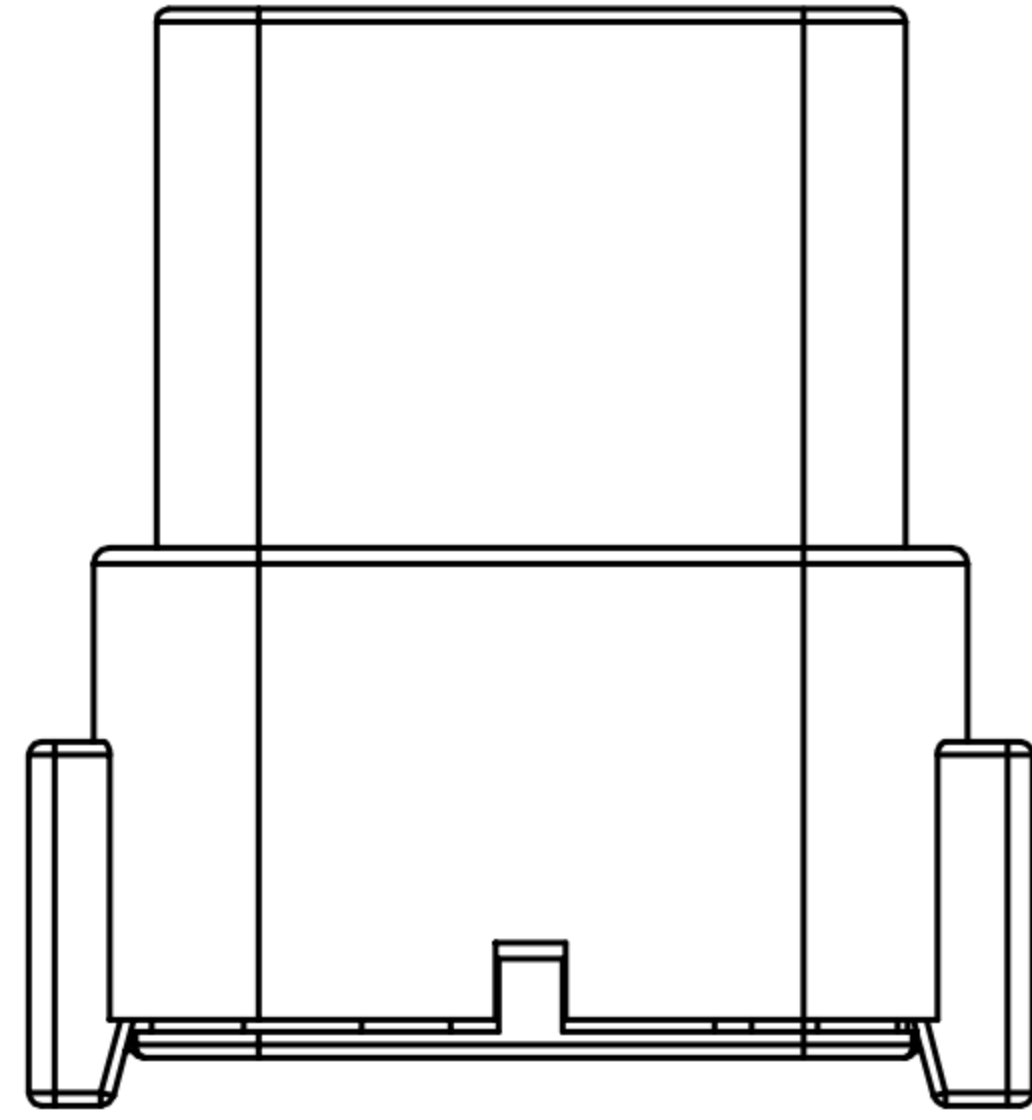
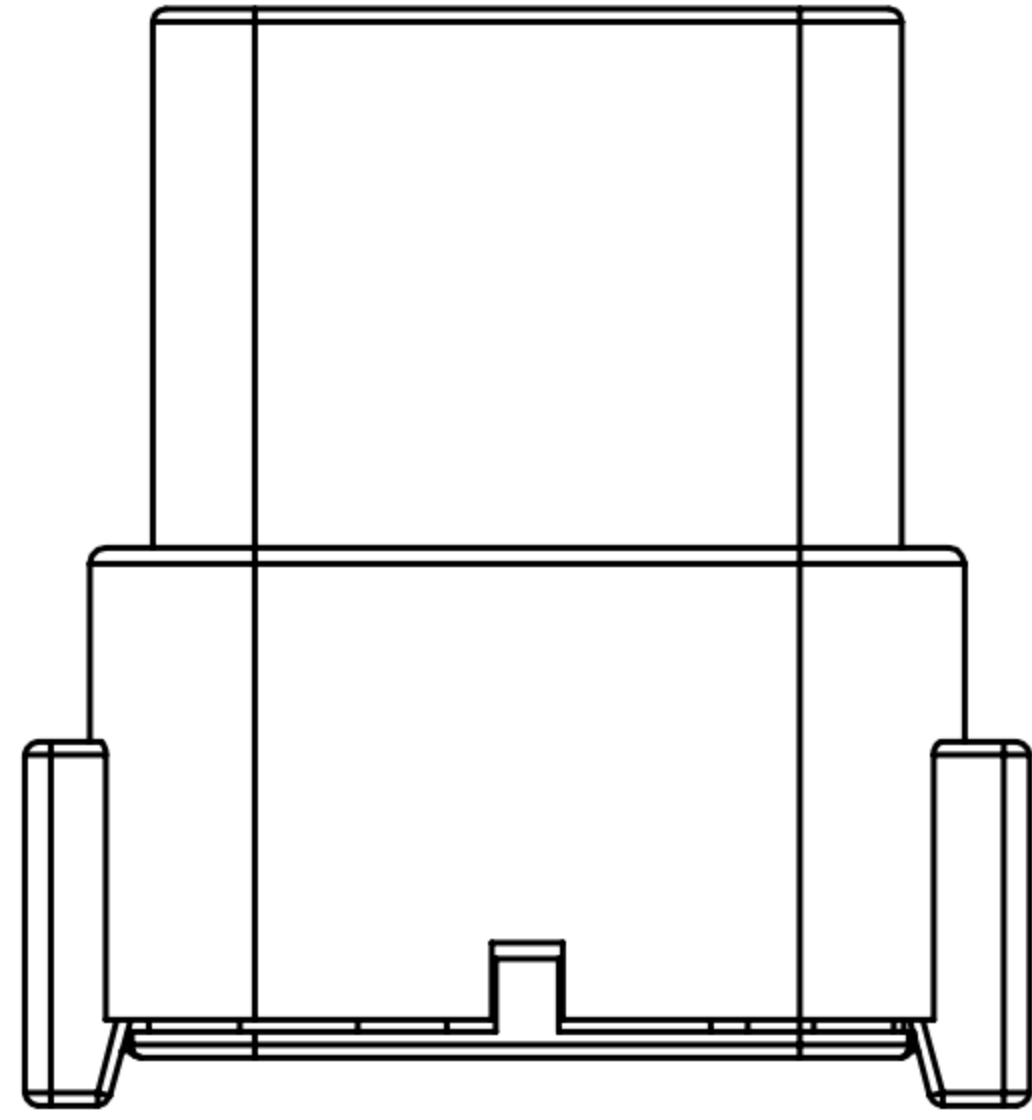
DRAWN	Yeh Chou	APPVL	Emily Suen	UNIT	mm	TOLERANCE .x ±0.20 .xx ±0.10 .xxx ±0.05 .xxxx ±0.03 ANGULA ±1°		广东科斯达电子科技有限公司 GUANG DONG KE SI DA ELECTRONIC TECHNOLOGY CO., LTD.	TITLE	WP 12P SIZE 20 DTM04-12P SERIES			SHEET	1
CHK'D	Emily Suen			SCALE	1:1				PART NO.	SEE TABLE A	DWG NO.	QC8708	VERSION	A

This document is the property of Nian-Yeong Corporation and is delivered on the express condition that it is not to be disclosed, reproduced or used, in whole or in part, for manufacture or sale by anyone other than Nian-Yeong Corporation without its prior consent, and that no right is granted to disclose or to use any information in this document.

CUSTOMER DRAWING

REV.	DESCRIPTION	APPROVED BY	DATE	ECN NO.
△A	RELEASE	Yeh Chou	2018/04/02	
△B				
△C				
△D				

TABLE A



KEY A
COLOR: GRAY
WP-12M2-19-01

KEY B
COLOR: BLACK
WP-12M2-22-01

KEY C
COLOR: GREEN
WP-12M2-23-01

KEY D
COLOR: BROWN
WP-12M2-24-01

DRAWN	Yeh Chou	APPV'L	Emily Suen	UNIT	mm	TOLERANCE .x ±0.20 .xx ±0.10 .xxx ±0.05 .xxxx ±0.03 ANGULA ±1°		广东科斯达电子科技有限公司 GUANG DONG KE SI DA ELECTRONIC TECHNOLOGY CO., LTD.	TITLE	WP 12P SIZE 20 DTM04-12P SERIES			SHEET	1
CHK'D	Emily Suen			PART NO.	SEE TABLE A				DWG NO.	QC8708	VERSION	A		