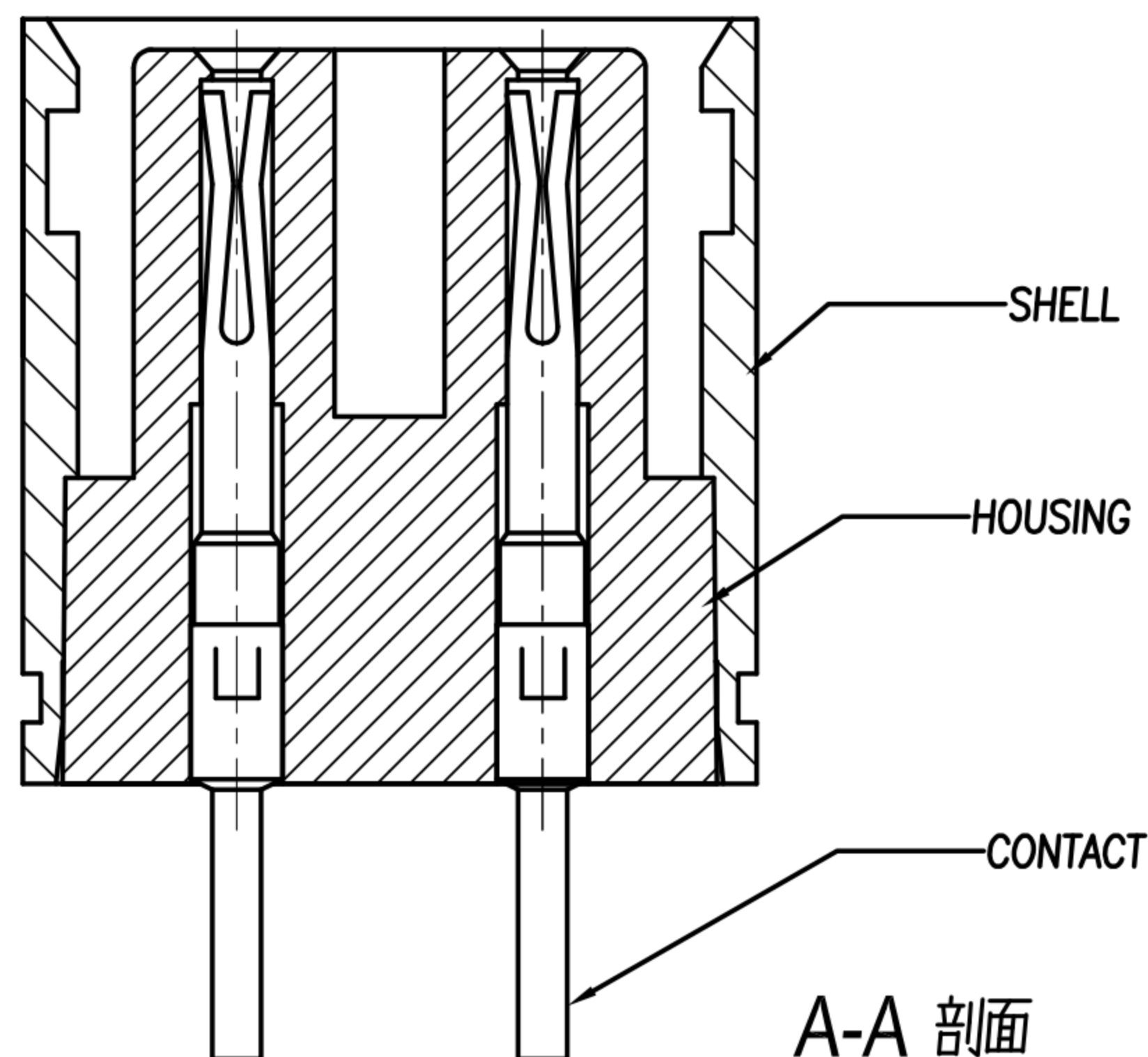
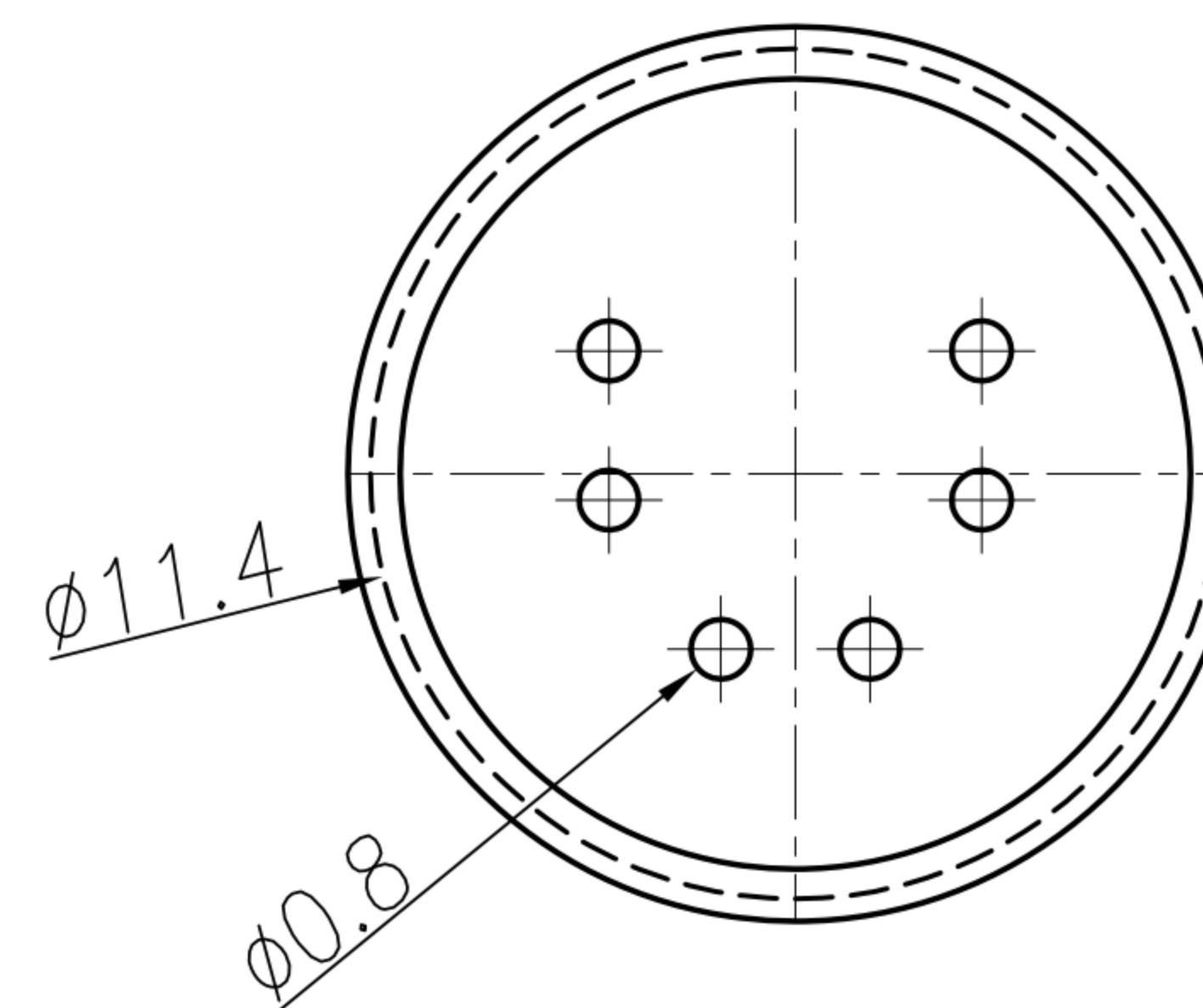
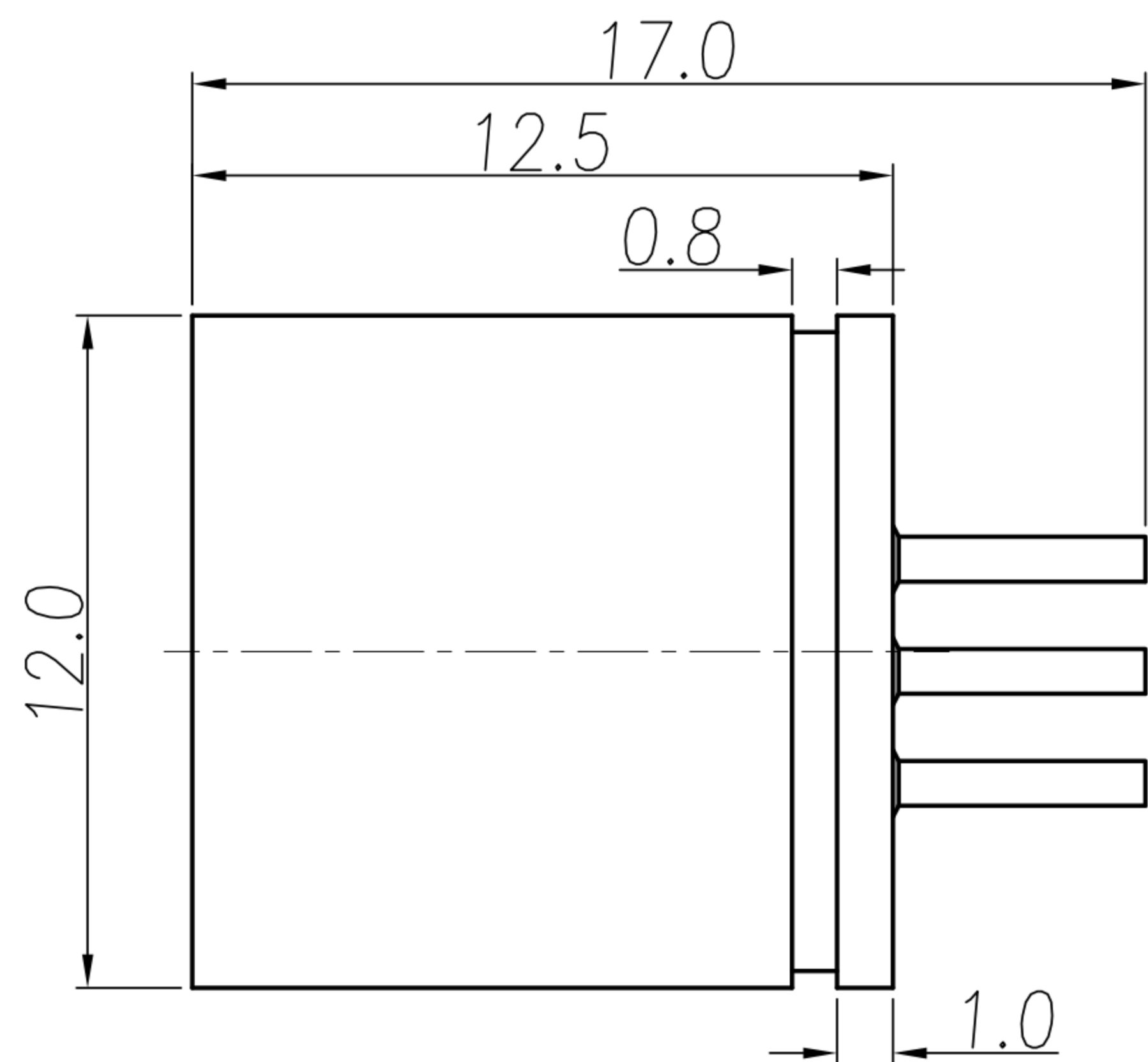
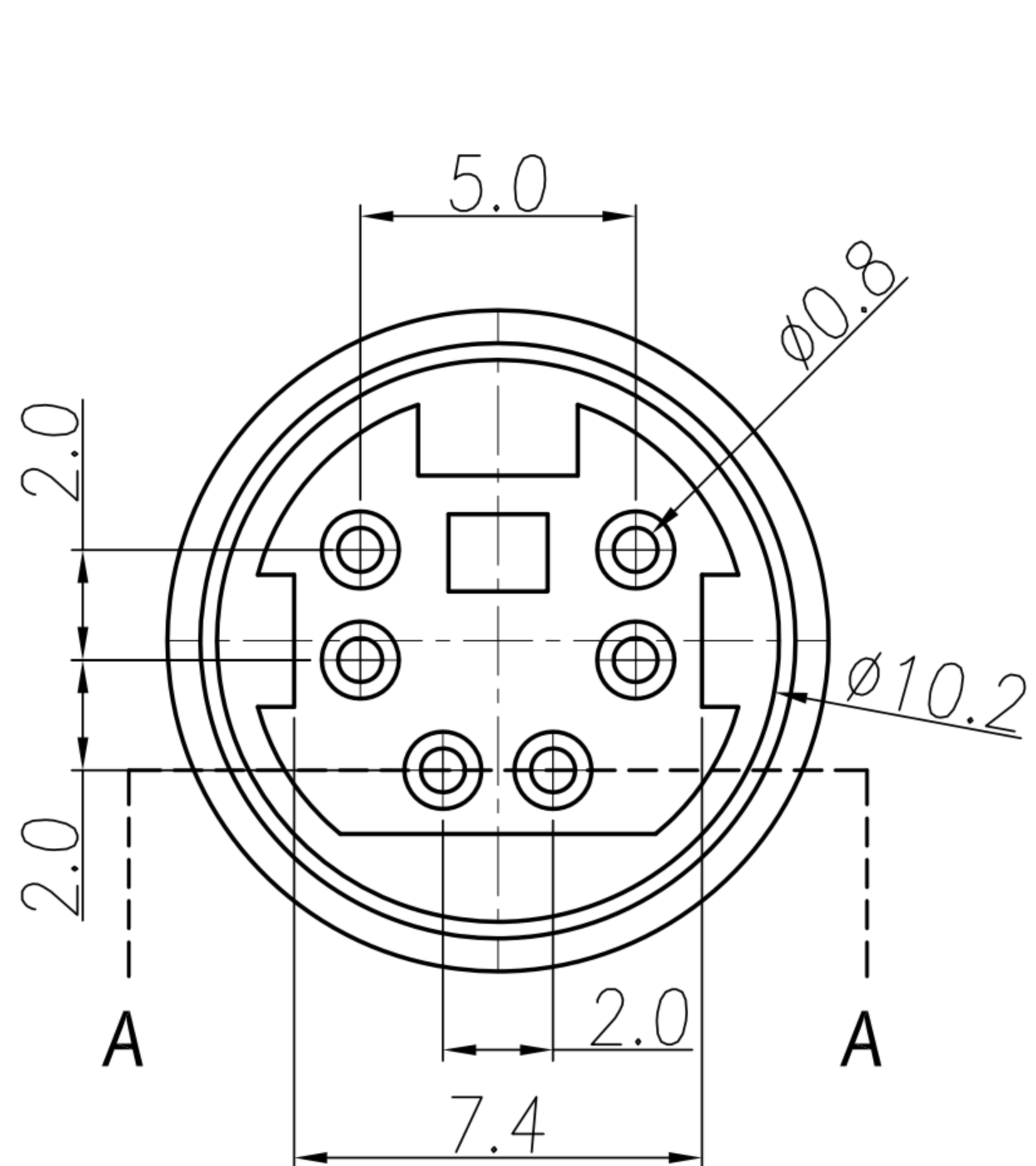


CUSTOMER DRAWING

REV.	DESCRIPTION	APPROVED BY	DATE	ECN NO.
A	RELEASE	Fido Weng	22/12/08'	
B				
C				



1. MATERIAL :
 - 1-1. HOUSING : PBT+15%GF ; COLOR : BLACK
 - 1-2. CONTACT : PHOSPHOR BRONZE
 - 1-3. SHELL: BRASS
2. FINISH :
 - 2-1. CONTACT : GOLD FLASH
 - 2-2. SHELL : NICKEL PLATED 100u" OVER ALL
3. ELETRICAL SPECICATION :
 - 3-1. Rated current : 1A
 - 3-2. Rated voltage : 60V
4. Environmental :
 - 4-1. Operation Temperature : -20℃~85℃

DRAWN	Angus	APP'D	Ku Chou	UNIT	mm	TOLERANCE		广东科斯达电子科技有限公司 GUANG DONG KE SI DA ELECTRONIC TECHNOLOGY CO., LTD.	TITLE	POWER DIN 6(F)LOCK TYPE			SHEET	
CHK'D	Emily Suen			SCALE	1:1	.x ±0.20 .xx ±0.10 .xxx ±0.05 .xxxx ±0.03 ANGULA ±1°			PART NO.	PD-06F1-01	DWG NO.	QC1695	VERSION	