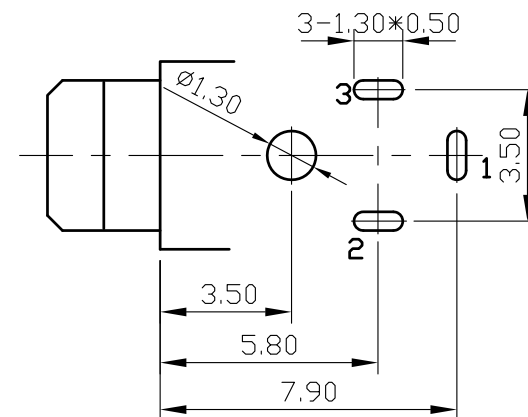
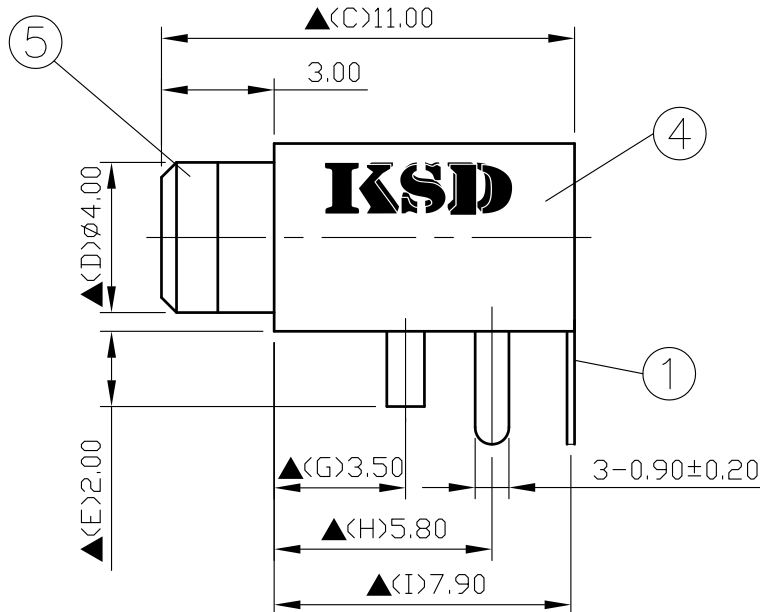
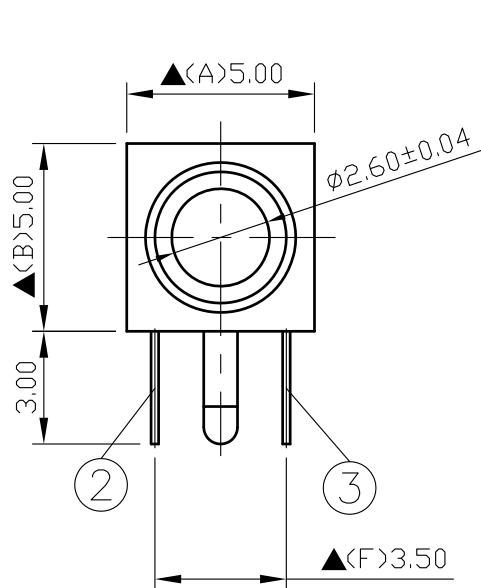
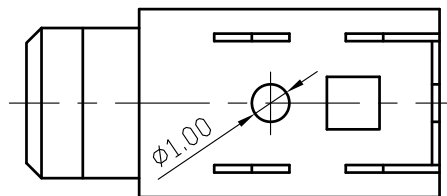


SCHEMATIC		1
		3
		2
MODEL NO	H	



Pin Hole Layout  
(Jack Bottom View)



5.	Bushing	Low Lead Brass Rod	1	Nickel Plated
4.	Housing	POM	1	Black Color
3.	Tip Spring	0.2T Phosphor Bronze	1	Silver Plated
2.	Tip Spring	0.2T Phosphor Bronze	1	Silver Plated
1.	Earth Terminal	0.2T Phosphor Bronze	1	Silver Plated
NO.	Description	Material	Q'TY	Finish

<b>广东科斯达电子科技有限公司</b> GUANG DONG KE SI DA ELECTRONIC TECHNOLOGY CO., LTD.	DATE	DWN	CHKD	APVD	MANAGER
	08.31.2021	王平華			

For Redference  
僅供參考

RoHS&SVHC  
Compliant

PART NAME : 2.5φ PHONE JACK    PART NUMBER: SCJ224R2NHS0B00L    VERSION:1.0

TOLERANCE : ±0.3mm UNLESS OTHERWISE SPECIFIED    UNIT:mm    SCALE:1/1

SPECIFICATIONS:  
 Contact Resistance : 30mΩ max  
 Insulation Resistance : 100MΩ min. at DC 500V  
 Dielectric Withstanding Voltage: AC 500V for one minute  
 Remark: ▲: The Most Important Dimension