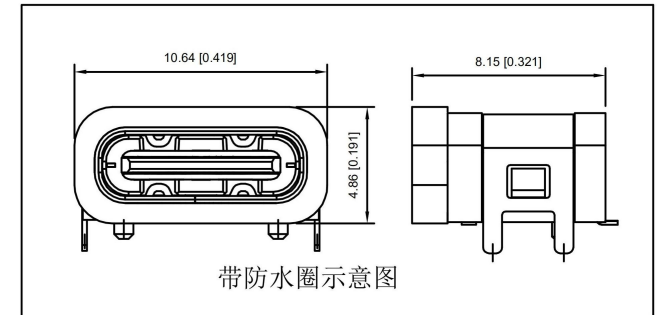
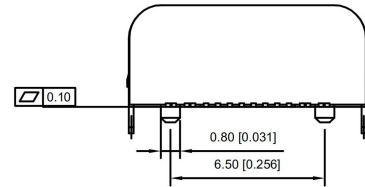
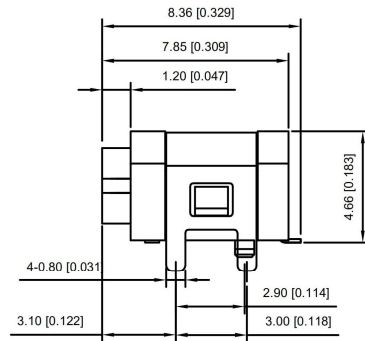
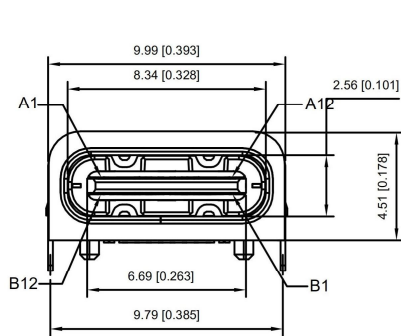


RECOMMENDED P.C.B. LAYOUT  
TOLERANCE UNSPECIFIED ±0.05mm

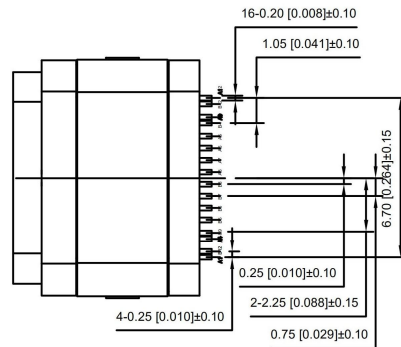
NOTES 备注:

SPECIFICATION 规格:

1. CURRENT RATING 额定电流: 3.0A MAX
2. VOLTAGE 电压: 100 VAC
3. TEMPERATURE RANGE 工作温度范围: -30 °C ~ 85 °C
4. CONTACT RESISTANCE 接触电阻: 40 MILLIONHM MAX
5. INSULATION RESISTANCE 绝缘电阻: 100 MEGOHMS MIN.
6. INSERTION FORCE 插入力: 5N~20N
7. UNMATING FORCE 拔出力: 8N~20N
8. DURABILITY 耐用性: 10,000 CYCLES
9. WATER PROOFNESS 防水: THIS PRODUCT IS BASED ON IPX7.



带防水圈示意图



A1	GND	B12	GND
A4	VBUS	B9	VBUS
A5	CC1	B8	SBU2
A6	DP1	B7	DN2
A7	DN1	B6	DP2
A8	SBU1	B5	CC2
A9	VBUS	B4	VBUS
A12	GND	B1	GND
PIN	SIGNAL NAME	PIN	SIGNAL NAME

6	防水圈	硅胶	BLACK	1PCS
5	SHELL	STAINLESS STEEL	NI Plated	1PCS
4	SHIELDING PLATE	STAINLESS STEEL	NI Plated	1PCS
3	CONTACT	COPPER ALLOY	TIN/Au/NI Plated	1SET
2	SHELL HOUSING	HIGH TEMPERATURE PLASTIC	BLACK	1PCS
1	HOUSING	HIGH TEMPERATURE PLASTIC	BLACK	1PCS
NO.	DESCRIPTION	MATERIAL	REMARKS	QTY

U262-16XN-4BFC10

- 1: Au 0.8U"
- 2: Au 5U"
- 3: Au 10U"
- 1: PBT
- 2: PA6T
- 3: PA9T
- 4: LCP
- B: Black
- W: White

REVISIONS				DATE	REVISED	APPROVED	UNSPECIFIED TOLERANCES	DSND	SCALE: N/A	MODEL TYPE: Type-C 3.1	
							ANGULAR ±5°	DWN	VIEW:	PART NO.:	
							L ≤ 4 ±0.2	CHKD	UNIT: mm/in	DWG NO.:	
							4 < L ≤ 16 ±0.3	APPD	SIZE: A4	U262-16XN-4BFC10	
							16 < L ≤ 63 ±0.4	WEIGHT SHEET REVISION			
							L > 63 ±0.5	KE SI DA ELECTRONIC TECHNOLOGY CO., LTD			
WWW.BODONGKAIGUAN.NET				WWW.CKJACK.COM				WWW.KSDKG.COM			
								1/1			A0

