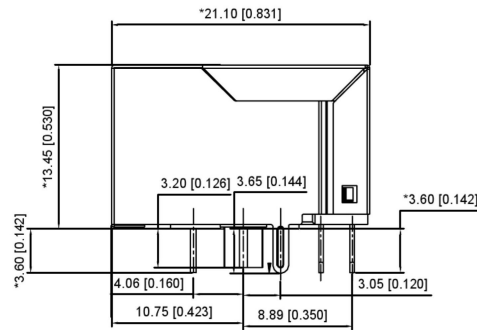
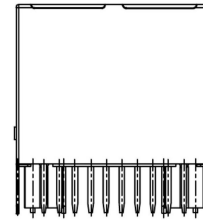


LEFT SIDE VIEW



RIGHT SIDE VIEW



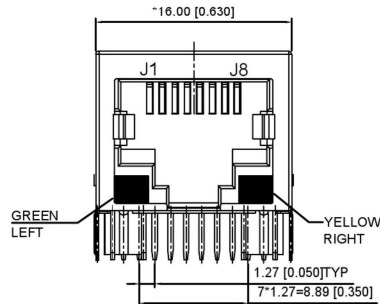
BACK VIEW

Electrical 电气:

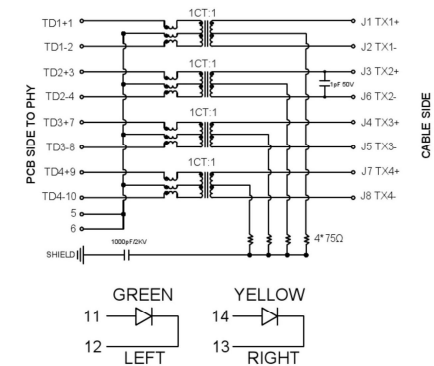
- Turn ratio 匝数比: 1~2: J1~J2=1CT:1CT(±2%)  
3~4: J3~J6=1CT:1CT(±2%)  
7~8: J4~J5=1CT:1CT(±2%)  
9~10: J7~J8=1CT:1CT(±2%)
- OCL: 180uH Min. at 100KHz 100mV
- Insertion Loss 插入损耗: -1.0 dB Max 1~125MHz
- Return loss 回波损耗: -20dB Min 1~40MHz.  
-20+15LOG10(f/40MHz) Min 40~200 MHz.
- Cross talk: -30dB TYP 1~125MHz;
- CMR: -30dB Min 30~200MHz;
- Hi-Pot: 2250V DC VRMS MIN AT 60 SECONDS

LED Specification

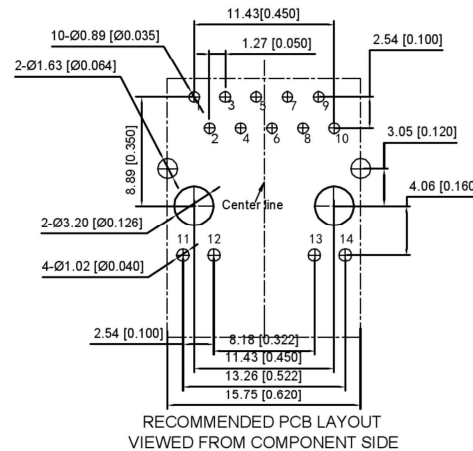
Standard LED Color	LED Wavelength	Forward(I)	Forward(V)
Green	565nm	20mA	1.85-2.45V
Yellow	585nm	20mA	1.7-2.2V



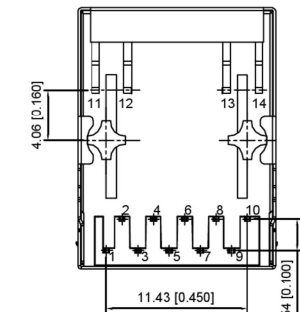
FRONT VIEW



TOP VIEW



RECOMMENDED PCB LAYOUT VIEWED FROM COMPONENT SIDE



BOTTOM VIEW

MATERIAL 材料:

- HOUSING 外壳: PBT,UL94V-0,BLACK.
- TERMINALS BRACKET 端子支架: PBT,UL94V-0,BLACK.
- SHIELD 保护物: C2680,T=0.20MM,NICKEL PLATING ON ALL AREA.
- TERMINAL 端子: PHOSPHOR BRONZE C5210,T=0.35MM, GOLD PLATING ON CONTACT AREA.

MECHANICAL 机械:

- DURABILITY 耐用性: 750 CYCLES MIN.
- MATING FORCE 配合力: 23N MAX.
- OPERATING TEMPERATURE 工作温度: -40°C~+85°C.
- STORAGE TEMPERATURE 储存温度: -40°C~+85°C.
- ALL CRITICAL DIMENSIONS WITH "M"

				ANGLAR	±5°		DSND	SCALE: N/A	MODEL TYPE:	RJ JACK	
				L ≤ 4	±0.2		DWN	VIEW:	PART NO.:		
				4 < L ≤ 16	±0.3		CHKD	UNIT: mm/in	DWG NO.:		
				16 < L ≤ 63	±0.4		APPD	SIZE: A4	X01AQ285AA2ADA2		
				L > 63	±0.5	SWITCH CONNECTOR		KE SI DA ELECTRONIC TECHNOLOGY CO., LTD	WEIGHT	SHEET	REVISION
REVISIONS				UNSPECIFIED TOLERANCES					1/1	A0	
WWW.BODONGKAIGUAN.NET				WWW.CKJACK.COM		WWW.KSDKG.COM					