

PIN DEFINITION			
PIN	Signal Name	PIN	Signal Name
A1	GND	B12	GND
A2	TX1+	B11	RX1+
A3	TX1-	B10	RX1-
A4	VBUS	B9	VBUS
A5	CC	B8	SBU2
A6	D+	B7	D-
A7	D-	B6	D+
A8	SBU1	B5	VCONN
A9	VBUS	B4	VBUS
A10	RX2-	B3	TX2-
A11	RX2+	B2	TX2+
A12	GND	B1	GND

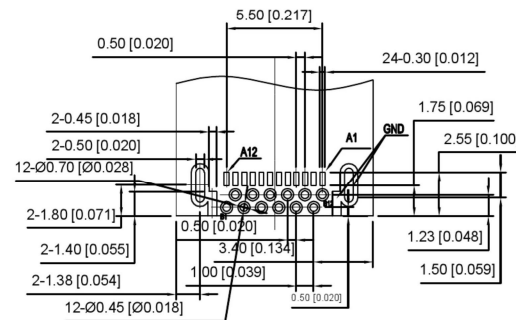
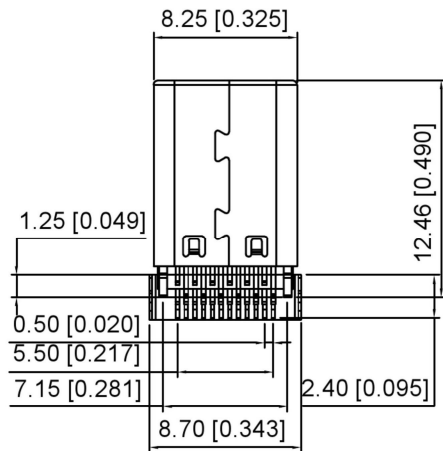
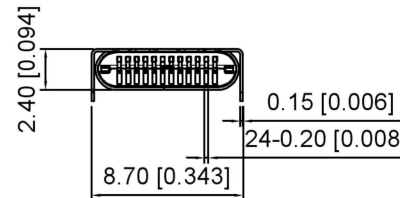
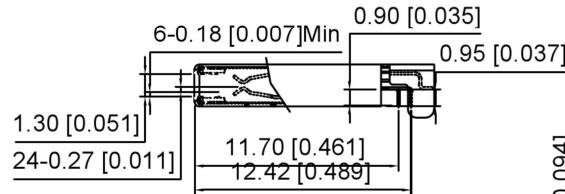
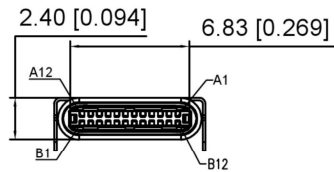
U261-24XN-4BC2LS

1: Au 1U" MIN
2: Au 15U" MIN
3: Au 30U" MIN

1: WITH
2: WITHOUT

B: BLACK
U: BLUE
W: WHITE
C: CREAM-COLOR

1: PBT
2: PA6T
3: PA9T
4: LCP



Recommended P.C.B Layout
Tolerance ±0.05

NOTES:

1. MATERIALI:

CONTACTS: Copper alloy T=0.15
INSULATOR: HIGH TEMPERATURE PLASTIC
UL 94V-0,

Shell: STEEL T=0.15

2. ELECTRICAL PERFORMANCE:

INSULATION RESISTANCE: 100Mohm MIN.
CONTACT RESISTANCE: 40mohm MAX.
DIELECTRIC WITHSTANDING: 100 VAC
CURRENT RATING: 5A MIN.

3. MECHANICAL PERFORMANCE:

MATING FORCE: 5~20N
UNMATING FORCE: 8~20N
DURABILITY: 10000 CYCLES

REVISIONS				DATE	REVISED	APPROVED	UNSPECIFIED TOLERANCES	DSND	SCALE: N/A	MODEL TYPE: Type-C 3.1		
			ANGULAR				±5°	DWN	VIEW:	PART NO.:		
			L ≤ 4				±0.2	CHKD	UNIT: mm/in	DWG NO.:		
			4 < L ≤ 16				±0.3	APPD	SIZE: A4	U261-24XN-4BC2LS		
			16 < L ≤ 63				±0.4			WEIGHT	SHEET	REVISION
			L > 63				±0.5				1/1	A0
WWW.BODONGKAIGUAN.NET WWW.CKJACK.COM WWW.KSDKG.COM								KE SI DA ELECTRONIC TECHNOLOGY CO., LTD				

KSD
SWITCH CONNECTOR