

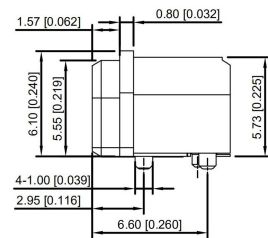
Recommended PCB Layout
General Tolerance ±0.05

▨ Pad Area
Top View

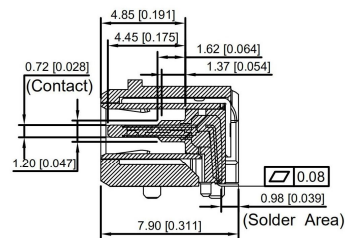
NOTE:

- Material:
 - All Housing: LCP (Polyplastics), Black, Thermoplastics, UL94V-0
 - Insulation Jacket: LCP (Polyplastics), Black, Thermoplastics, UL94V-0
 - Contact: Copper Alloy
 - Mid Plate: Stainless Steel
 - Outer shell: Stainless steel
 - Inner Shell: Stainless Steel
- FINISH:
 - Contact: Au 2u"Min. over Pd-Ni 30u"Min on Au 2u"Min. on Solder Area
 - 80~200u"Nickel Underplating Over All
 - Mid-Plate: 40~200u"Nickel Over All
 - Inner & Outer Shell: 40~200u" Nickel Over All
- Outer Shell (Insulator) Minimum Thickness 0.40mm
- Electrical Characteristics:
 - Current Rating: 5A Far Pin (A4, A9, B4, B9)
 - 1.25A Far Pin (A1A12B1, B12, B5)
 - 0.25A For Others Pin
 - Insulation Resistance: 100MΩ Min.
 - Contact Resistance: 50 mΩ Max.
 - Dielectric Withstanding Voltage: 500V AC/0.1S/0.1mA
- Mechanical characteristics:
 - Insertion Force: 5~20N
 - Extraction Force: Initial: 8~20N
 - After durability: 6~20N
- Durability: 10000 Cycles
- Operating Temperature: -30 °C TO +85 °C

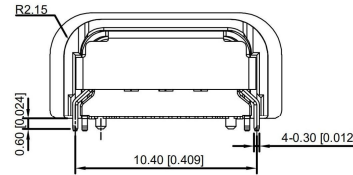
SECTION A-A



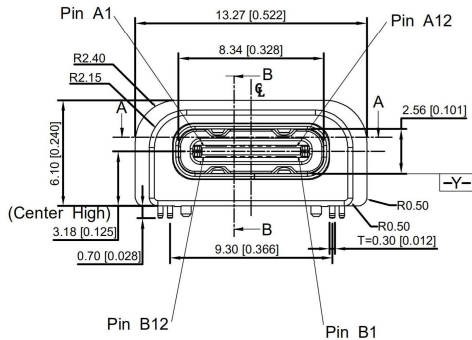
SECTION B-B



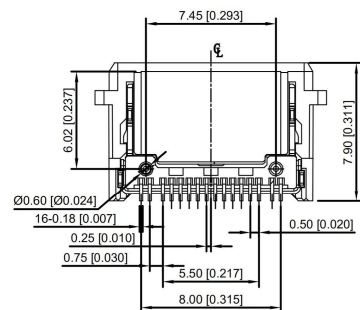
U262-16XN-4BFX701



- 1: Au 1U"
- 2: Au 3U"
- 3: Au 15U"
- 4: Au 30U"
- 1: PBT
- 2: PA6T
- 3: PA9T
- 4: LCP
- 1: WITH
- 2: WITH OUT
- W: White B: Black



Pin A1, Pin A12, Pin B12, Pin B1



PIN ASSIGNMENT			
PIN NUMBER	SIGNAL NAME	PIN NUMBER	SIGNAL NA
A1	GND	B12	GND
A2	TX1+	B11	RX1+
A3	TX1-	B10	RX1-
A4	VBUS	B9	VBUS
A5	CC1	B8	SBU2
A6	D+	B7	D+
A7	D-	B6	D-
A8	SBU1	B5	CC2
A9	VBUS	B4	VBUS
A10	RX2+	B3	TX2+
A11	RX2-	B2	TX2-
A12	GND	B1	GND

注:

- 材料:
 - 所有外壳: LCP (Polyplastics)。黑色, 热塑性塑料, UL94V-0
 - 绝缘护套: LCP (Polyplastics), 黑色, 热塑性塑料, UL94V-0
 - 接点: 铜合金
 - 中板: 不锈钢
 - 外壳: 不锈钢
 - 内壳: 不锈钢
- 完成:
 - 联系人: Au 2u"Min. over Pd-Ni 30u"Min 在 Au 2u"Min. 在焊接区 80~200u"全镀镍
 - 中板: 40~200u"全镀
 - 内外壳: 40~200u"全镀
- 外壳 (绝缘体) 最小厚度 0.40mm
- 电气特性:
 - 额定电流: 5A Far Pin (A4, A9, B4, B9)
 - 1.25A 远引脚 (A1A12B1, B12, B5)
 - 0.25A 对于其他引脚
 - 绝缘电阻: 100MΩ 最小值。
 - 接触电阻: 最大 50 mΩ
 - 介质耐压: 500V AC/0.1S/0.1mA
- 机械特性:
 - 插入力: 5~20N
 - 拔出力: 初始: 8~20N
 - 经久耐用: 6~20N
- 耐用性: 10000 次循环
- 工作温度: -30 °C 至 +85 °C

REVISIONS				DATE	REVISED	APPROVED	UNSPECIFIED TOLERANCES	DSND	SCALE: N/A	MODEL TYPE: Type-C 3.1		
							ANGULAR ±5°	DWN	VIEW:	PART NO.:		
							L ≤ 4 ±0.2	CHKD	UNIT: mm/in	DWG NO.:		
							4 < L ≤ 16 ±0.3	APPD	SIZE: A4	U262-16XN-4BFX70		
							16 < L ≤ 63 ±0.4					
							L > 63 ±0.5					
								KE SI DA ELECTRONIC TECHNOLOGY CO., LTD				
										WEIGHT	SHEET	REVISION
											1/1	A0

