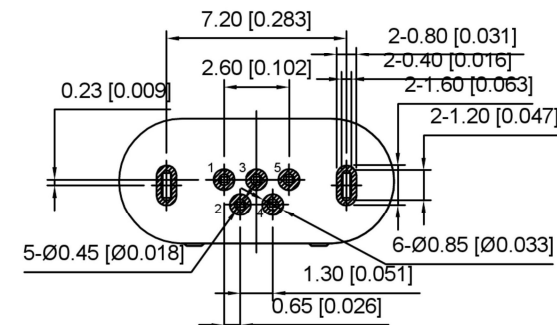
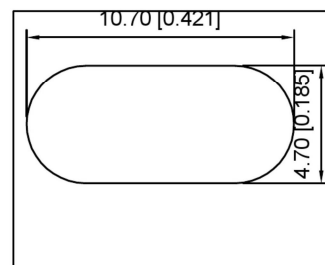
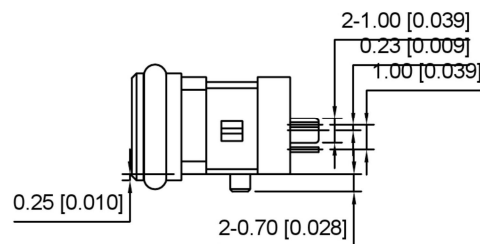
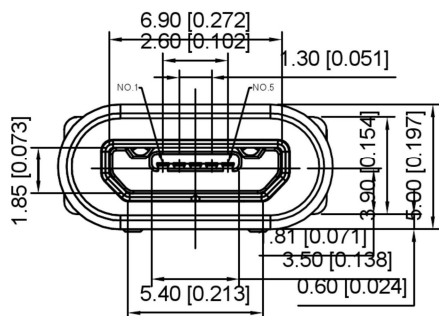
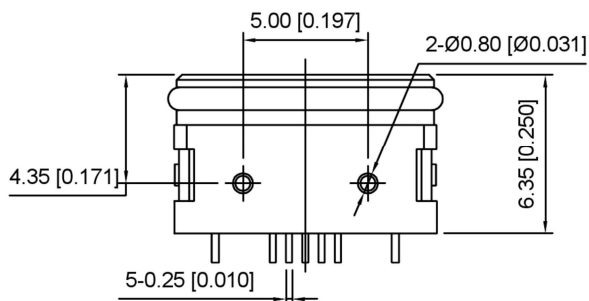


SPECIFICATIONS:

1. ELECTRICAL CHARACTERISTICS:
 - 1.1. RATING: 1.5A
 - 1.2. CONTACT RESISTANCE: 30 mΩ MAX.(INITIAL);
 - 1.3. DIELECTRIC WITHSTANDING: 500V AC MIN.;
 - 1.4. INSULATION RESISTANCE: 1000MΩ MIN.;
2. DURABILITY: 5,000 CYCLES MIN.;
3. INSERTION FORCE: 3.5Kgf (35N) Max.;
4. EXTRACTION FORCE: 0.8Kgf (8N) Min.;
5. WATER PROOFNESS: THIS PRODUCT IS BASED ON IPX7
6. PLUG INTERFACE DIMENSIONS COMFORM TO USB2.0 SPEC.
7. PACKAGING: TAPE & REEL.



RECOMMENDED P.C.B. LAYOUT (TOP VIEW)
GENERAL TOLERANCE: ±0.05



Contact Number	Signal Name	Remarks
1#	VBUS	Power
2#	D-	Date-
3#	D+	Date+
4#	ID	Reserve or Ground
5#	GND	Ground

5	硅橡胶	1	BLACK	
4	Shell	1	SUS304R-1/2H Ni PlatingT=0.30mm(3U)	
3	Contact	5	Phosphor bronze C5191R-EH Au/Ni Plating T=0.20mm (1U)	
1	Housing	1	PA9T&LCP (G.F30%)	
ITEM	PART NAME	Q'TY	FINISH	NOTE

DESCRIPTION	DATE	REVISED	APPROVED	UNSPECIFIED TOLERANCES	DSND	SCALE: N/A	MODEL TYPE: MICRO USB		
REVISIONS					DWN	VIEW:	PART NO.:		
					CHKD	UNIT: mm/in	DWG NO.:		
					APPD	SIZE: A4	U-E-M5SS-W-5		
							WEIGHT	SHEET	REVISION
								1/1	A0