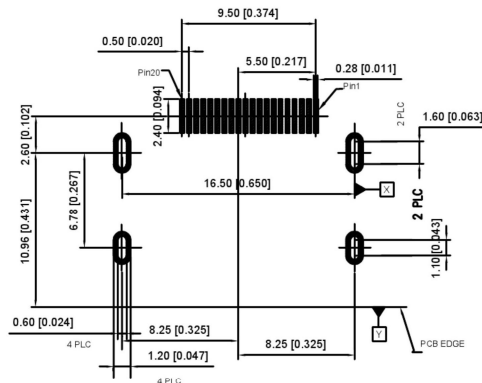
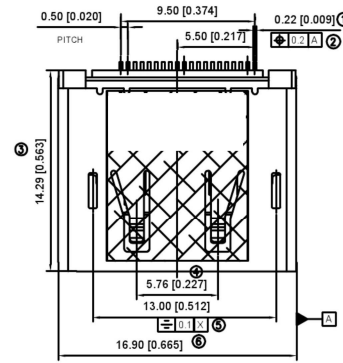


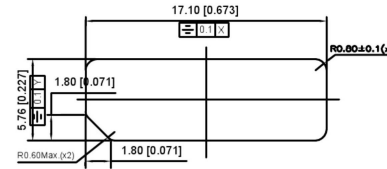
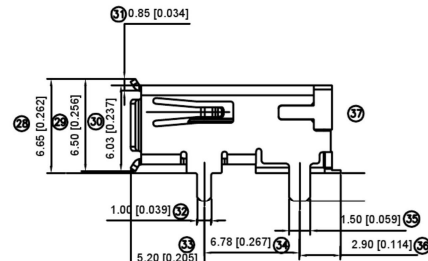
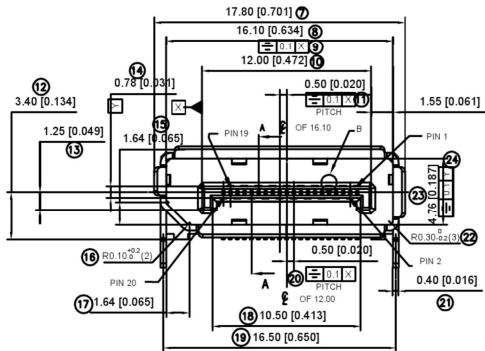
S:Scrolls



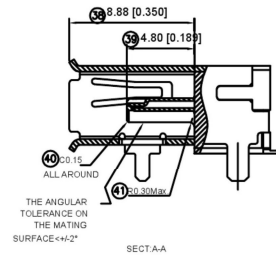
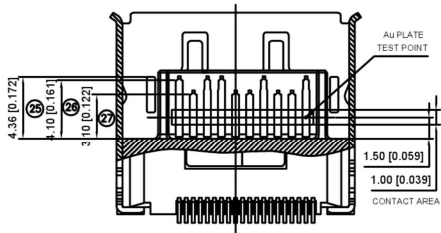
RECOMMENDED P.C.B LAYOUT (THICKNESS=1.2mm)
(COMPONENT SIDE) TOLERANCES ±0.05mm



F: Flat

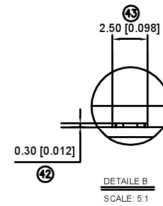


REFERENCE PANEL CUT OUT DIMENSION



THE ANGULAR TOLERANCE ON THE MATING SURFACE ±2°

SECT-A-A



DETAIL B SCALE: 5:1

NOTES:

- MATERIAL:
HOUSING: THERMOPLASTIC HIGH TEMP WITH 30% GF (LCP E130I, E471I OR 6807LHF), UL94V-0.
CONTACT: C2680R-EH T=0.20mm
SHELL: C5191R-H T=0.40mm
MYLAR: KAPTON TAPE T=0.06mm
 - PLATING:
CONTACT: GOLD PLATING ON CONTACT AREA (SEE PART NO. DESCRIPTION),
MATTE TIN OVER NICKEL ON SOLDER TAIL.
SHELL: 40µMIN. NICKEL PLATING OVERALL.
 - SOLDER TAIL COPLANARITY 0.10MMAX.
 - PART NO. DESCRIPTION:
CAR03-20 1 C N X X
① ② ③ ④ ⑤ ⑥ ⑦
- ① DISPLAY PORT
 - ② POS NO.: 20.20 POS.
 - ③ HOUSING COLOR: 1.BLACK
 - ④ CONTACT PLATING: C: Au 30µ+MATTE TIN, A: Au 6µ+MATTE TIN, G: Au 4µ+MATTE TIN
 - ⑤ SHELL PLATING: N=NICKEL PLATING
 - ⑥ PACKAGE: 2=TAPE REEL, 5=TAPE REEL+MYLAR
 - ⑦ Interface type: S:Scrolls, F:Flat

REVISIONS				UNSPECIFIED TOLERANCES	<p>SWITCH CONNECTOR</p>	DSND	SCALE: N/A	MODEL TYPE: DP CONNECTOR	
DATE	REVISED	APPROVED	ANGLAR	±5°		DWN	VIEW:	PART NO.:	
			L ≤ 4	±0.2		CHKD	UNIT: mm/in	DWG NO.:	
			4 < L ≤ 16	±0.3		APPD	SIZE: A4	CAR03-201CNXX	
			16 < L ≤ 63	±0.4			WEIGHT	SHEET	REVISION
			L > 63	±0.5				1/1	A0
WWW.BODONGKAIGUAN.NET WWW.CKJACK.COM WWW.KSDKG.COM					KE SI DA ELECTRONIC TECHNOLOGY CO., LTD				