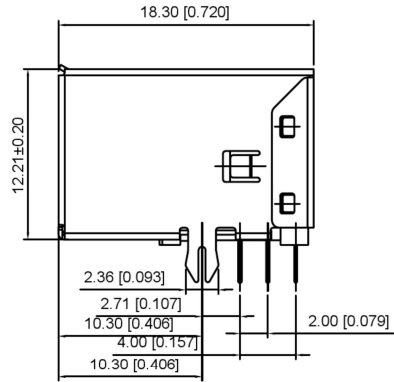
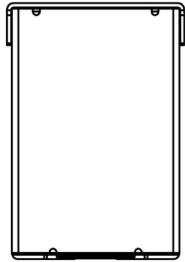
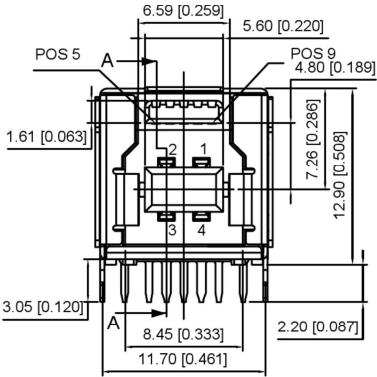
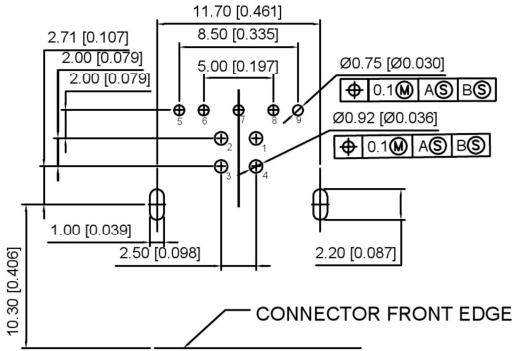
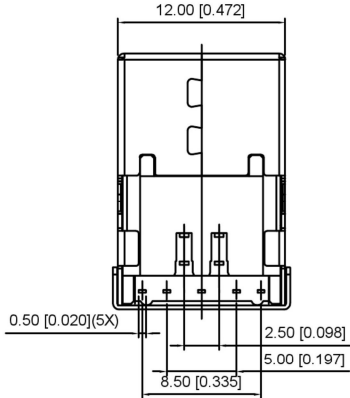


U235-09XN-4BLRC16-4



- 1:Au 1U"
- 5:Au 15U"
- 6:Au 30U"
- T:TIN
- N:NICKEL

Pin #	SIGNAL NAME	DESCRIPTION	MATING SEQUENCE
1	VBUS	POWER	SECOND
2	D-	USB 2.0 DIFFERENTIAL PAIR	THIRD
3	D+		
4	GND	GROUND FOR POWER RETURN	SECOND
5	StdA_SSRX-	SUPERSPEED RECEIVER DIFFERENTIAL PAIR	LAST
6	StdA_SSRX+		
7	GND_DRAIN	GROUND FOR SIGNAL RETURN	
8	StdA_SSTX-	SUPERSPEED TRANSMITTER DIFFERENTIAL PAIR	
9	StdA_SSTX+		
Shell	Shield	CONNECTOR METAL SHELL	FRIST



RECOMMENDED PCBA LAYOUT

Material
 Housing Material: LCP, UL94V-0, blue
 Contact Terminal: Brass
 Metallic Shell: Brass
 Plating
 Underplating: Nickel
 Contact Plating: 1µ" Gold
 Solder Tail: 100µ" Min. Tin
 Metallic Shell: Nickel
Electrical
 Voltage Rating: 100 V AC
 Current Rating: 1.5A
 Contact Resistance: 30mΩ Max.
 Insulation resistance: 1000MΩ Min.
 Dielectric withstanding voltage: 100V AC/Minute
Mechanical
 Durability: 1500 cycles
 Mating Force: 35N (3.57Kgf) Max
 Unmating Force: 10N (1.02Kgf) Min. initial, 8N min after test
 Environmental and Processing
 Operating Temperature: -40°C to +85°C

					DSND	SCALE: N/A	MODEL TYPE: USB 3.0
ΔX				ANGULAR	DWN	VIEW:	PART NO.:
ΔX				L ≤ 4	CHKD	UNIT: mm/in	DWG NO.:
ΔX				4 < L ≤ 16	APPD	SIZE: A4	U235-09XN-4BLRC16-4
MARK	DESCRIPTION	DATE	REVISED	APPROVED			WEIGHT
	REVISIONS						SHEET
							REVISION
					KE SI DA ELECTRONIC TECHNOLOGY CO., LTD		
WWW.BODONGKAIGUAN.NET WWW.CKJACK.COM WWW.KSDKG.COM							

