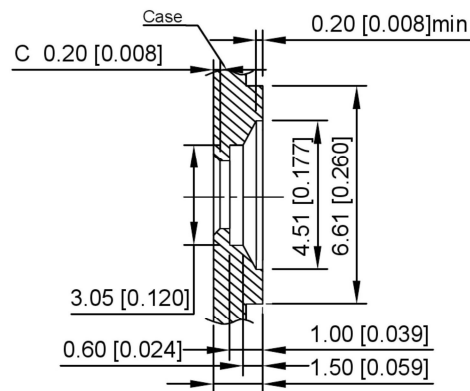
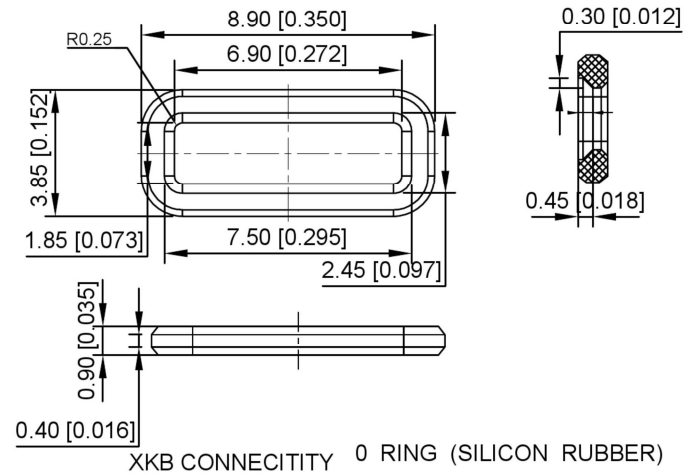
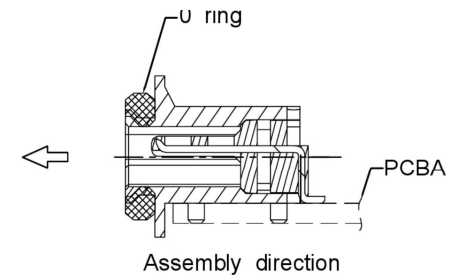
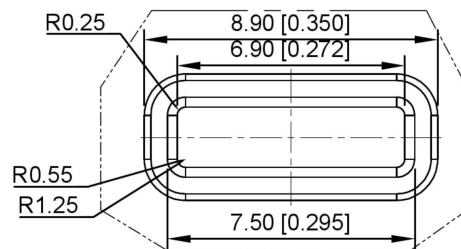
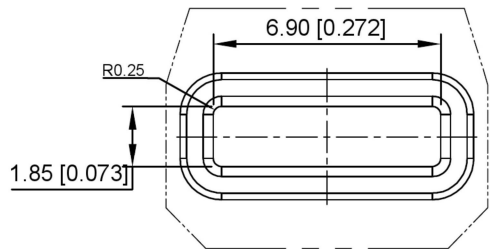


COMPRESSION RATIO TO BE 40%-50%



RECOMMENDED OPEN DIMENSION OF CASE
TOLERANCE: ±0.03mm
MATTING AREA WITH SEALING RING



| | | | | | | | | | | | | |
|-----------------------|--|--|--|----------------|---------|----------|---|-------------|--------------------------|-------|----------|----|
| | | | | ANGULAR | ±5° | DSND | | SCALE: N/A | MODEL TYPE: MICRO USB | | | |
| | | | | L ≤ 4 | ±0.2 | DWN | | VIEW: | PART NO.: | | | |
| | | | | 4 < L ≤ 16 | ±0.3 | CHKD | | UNIT: mm/in | DWG NO.: | | | |
| | | | | 16 < L ≤ 63 | ±0.4 | APPD | | SIZE: A4 | U-E-M8SS-C-1 | | | |
| | | | | L > 63 | ±0.5 | | | | WEIGHT | SHEET | REVISION | |
| DESCRIPTION | | | | DATE | REVISED | APPROVED | UNSPECIFIED TOLERANCES | | | | 1/1 | A0 |
| REVISIONS | | | | | | | KE SI DA ELECTRONIC TECHNOLOGY CO., LTD | | | | | |
| WWW.BODONGKAIGUAN.NET | | | | WWW.CKJACK.COM | | | WWW.KSDKG.COM | | | | | |

KSD
SWITCH CONNECTOR

KE SI DA ELECTRONIC TECHNOLOGY CO., LTD