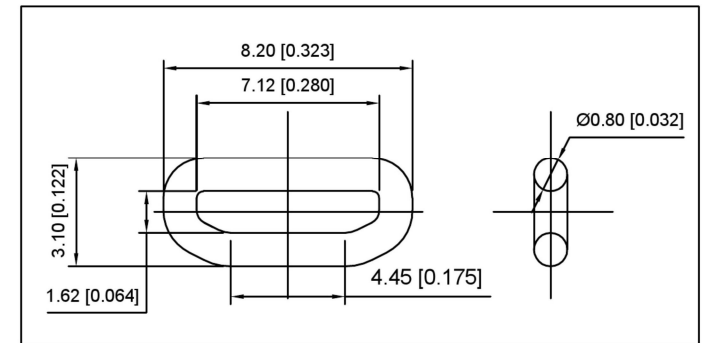


Notes:

1. Dimension shall be interpreted per ASME Y14.5 M1994.
2. Dimension marked ▽ & ▼ should be checked by Q.C. and process, engineers and ▽ should also check the CPK data.

Specification:

1. Current Rating: 1.5 A Max
2. Voltage Rating: 30V AC,DC
3. Dielectric Strength: 100V AC RMS for 1 minute.
4. Contact Resistance: 50 mΩ Max.
5. Insulator Resistance: 100M Ω Min.
6. Mating/Unmating cycles: 6000cycles
7. Temperature: -30°C to +80°C



ITEM	PART NAME	QTY	MATERIAL	FINISHING
③	Shell	1	SUS	T=0.25mm
②	Contact	5	Copper alloy	T=0.2mm
①	Housing	1	HI-TEMP.PLASIC UL 94V-0	BLACK

				ANGLAR	±5°	DSND	SCALE: N/A	MODEL TYPE:		
				L ≤ 4	±0.2	DWN	VIEW:	MICRO USB		
				4 < L ≤ 16	±0.3	CHKD	UNIT: mm/in	PART NO.:		
				16 < L ≤ 63	±0.4	APPD	SIZE: A4	DWG NO.:		
				L > 63	±0.5			U-E-M5SS-W-6		
DESCRIPTION				DATE	REVISED	APPROVED		WEIGHT	SHEET	REVISION
REVISIONS				UNSPECIFIED TOLERANCES			KE SI DA ELECTRONIC TECHNOLOGY CO., LTD			
WWW.BODONGKAIGUAN.NET				WWW.CKJACK.COM			WWW.KSDKG.COM			
							1/1			
							A0			