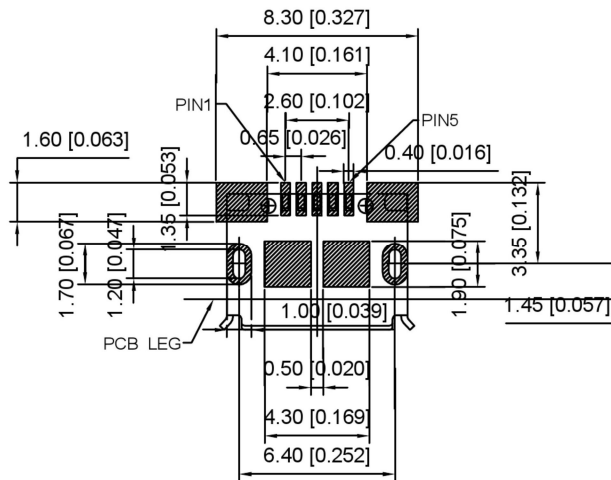
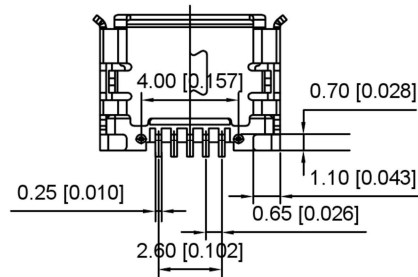


U254-05XX-4BH82-XXS
 1:AU 1U"
 6:AU 30U"
 T:TIN
 N:NICKEL
 1:With 2:Without
 S:Scrolls F:Flat



RECOMMENDED P.C.B. LAYOUT
 TOP VIEW (TOLERANCE: ±0.05)

Material
 Housing Material: LCP, UL94V-0, black
 Contact Terminal: Copper Alloy
 Metallic Shell: Sus
 Electrical
 Voltage Rating: 30 V AC
 Current Rating: Signal (Pins 2,3,4): 1.0A, Power (Pins 1,5): 1.8A
 Contact Resistance: 30mΩ Max
 Insulation resistance: 1000MΩ Min
 Dielectric withstanding voltage: 250V AC/Minute
 Mechanical
 Durability: 10,000 cycles
 Mating Force: 35N (3.57Kgf) Max
 Unmating Force: 8N (0.82Kgf) Min.

				ANGLAR	±5°	DSND		SCALE: N/A	MODEL TYPE: MICRO USB			
				L ≤ 4	±0.2	DWN		VIEW:	PART NO.:			
				4 < L ≤ 16	±0.3	CHKD		UNIT: mm/in	DWG NO.:			
				16 < L ≤ 63	±0.4	APPD		SIZE: A4	U254-05XX-4BH82-XXS			
				L > 63	±0.5				WEIGHT	SHEET	REVISION	
DESCRIPTION				DATE	REVISED	APPROVED	UNSPECIFIED TOLERANCES					
REVISIONS							KE SI DA ELECTRONIC TECHNOLOGY CO., LTD			1/1	A0	
WWW.BODONGKAIGUAN.NET				WWW.CKJACK.COM				WWW.KSDKG.COM				

