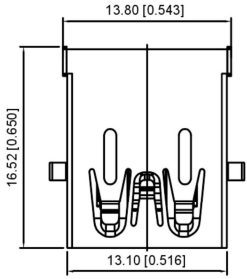
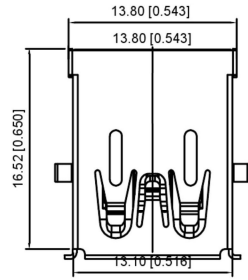


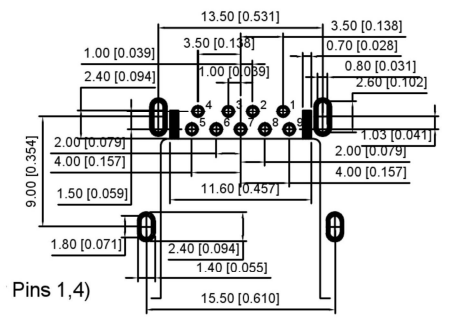
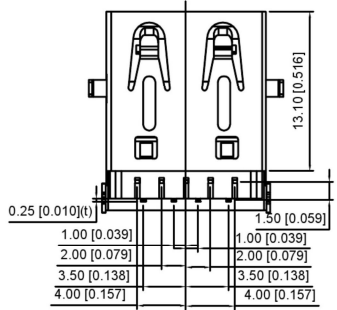
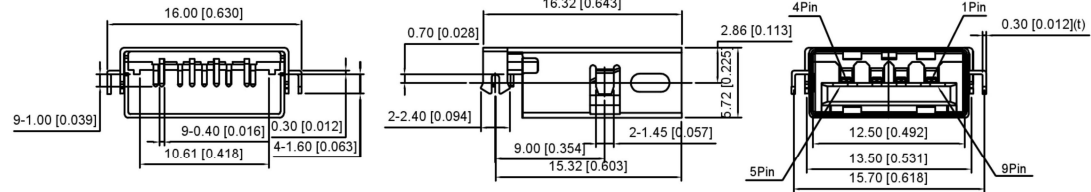
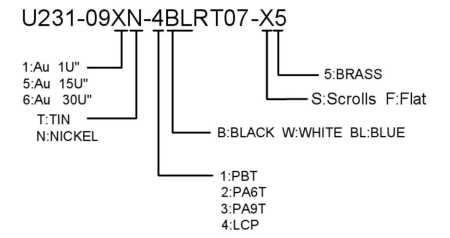
Fully mated plug and receptacle



F: Flat



S: Scrolls



Pins 1,4)

Material
 Housing Material: LCP, UL94V-0, blue
 Contact Terminal: Brass
 Metallic Shell: Spcc
 Plating
 Underplating: Nickel
 Contact Plating: 1μ" Gold
 Solder Tail: 100μ" Min. Tin
 Metallic Shell: Nickel
 Electrical
 Voltage Rating: 100 V AC
 Current Rating: 0.25A (Signal pins 2,3,5,6,7,8,9) 1.5A (Power Pins 1,4)
 Contact Resistance: 30mΩ Max.
 Insulation resistance: 1000MΩ Min.
 Dielectric withstanding voltage: 100V AC/Minute
 Mechanical
 Durability: 1500 cycles
 Mating Force: 35N (3.57Kgf) Max
 Unmating Force: 10N (1.02Kgf) Min. initial, 8N min after test
 Environmental and Processing
 Operating Temperature: -40°C to +85°C

Pin Number	Signal Name	Pin Number	Signal Name
1	VBUS	5	SSRX-
2	D-	6	SSRX-
3	D+	7	GND
4	GND	8	SSTX-
Shell	Shield	9	SSRT+

				ANGLAR	±5°		DSND		SCALE: N/A	MODEL TYPE: USB 3.0		
ΔX				L ≤ 4	±0.2		DWN		VIEW:	PART NO.:		
ΔX				4 < L ≤ 16	±0.3		CHKD		UNIT: mm/in	DWG NO.:		
ΔX				16 < L ≤ 63	±0.4		APPD		SIZE: A4	U231-09XN-4BLRT07-X5		
MARK	DESCRIPTION	DATE	REVISED	APPROVED	L > 63	±0.5	KE SI DA ELECTRONIC TECHNOLOGY CO., LTD			WEIGHT	SHEET	REVISION
REVISIONS						UNSPECIFIED TOLERANCES				1/1	A0	
WWW.BODONGKAIGUAN.NET						WWW.CKJACK.COM	WWW.KSDKG.COM					