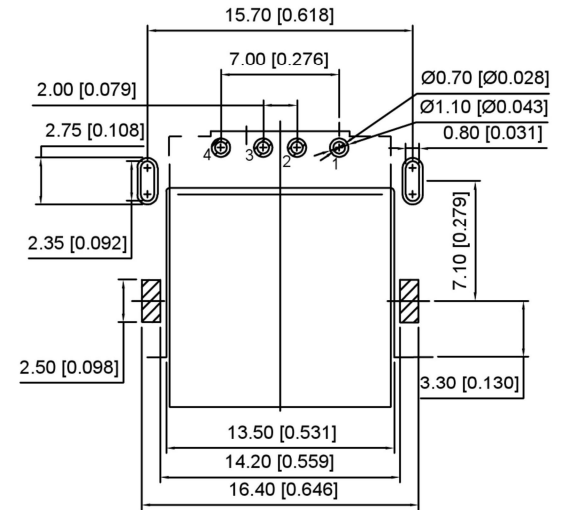


U221-04XN-4BU05-FS

- s:SUS
- F:Flat
- W:WHITE B:BLACK
- 1:Au 1U"
- 5:Au 15U"
- 6:Au 30U"
- 1:PBT
- 2:PA6T
- 3:PA9T
- 4:LCP



RECOMMENDED P.C.B LAYOUT (COMPONENT SIDE)
 DEFAULT TOLERANCES: ±0.05; PCB THICKNESS: 1.2mm

Housing Material: LCP UL94V-0, black
 Contact Terminal: Brass
 Metallic Shell: SUS

				ANGLAR	±5°	DSND		SCALE: N/A	MODEL TYPE: USB 2.0		
				L ≤ 4	±0.2	DWN		VIEW:	PART NO.:		
				4 < L ≤ 16	±0.3	CHKD		UNIT: mm/in	DWG NO.:		
				16 < L ≤ 63	±0.4	APPD		SIZE: A4	U221-04XN-4BU05-FS		
				L > 63	±0.5				WEIGHT	SHEET	REVISION
DESCRIPTION				DATE	REVISED	APPROVED	UNSPECIFIED TOLERANCES			1/1	A0
REVISIONS							KE SI DA ELECTRONIC TECHNOLOGY CO., LTD				
WWW.BODONGKAIGUAN.NET				WWW.CKJACK.COM			WWW.KSDKG.COM				