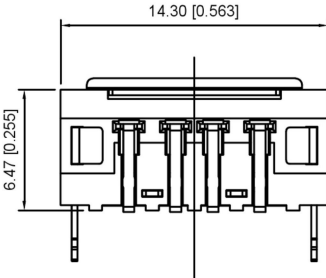
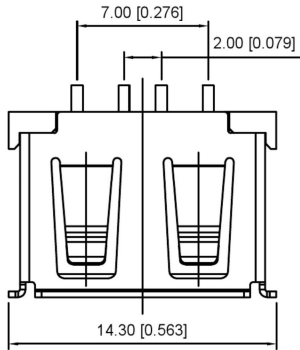
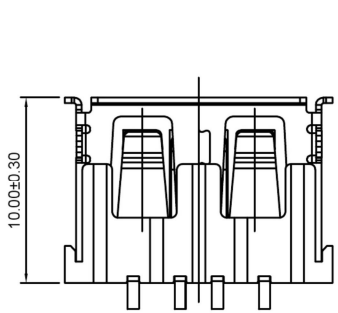
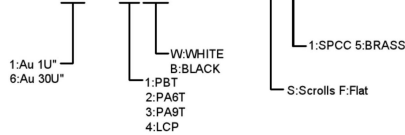
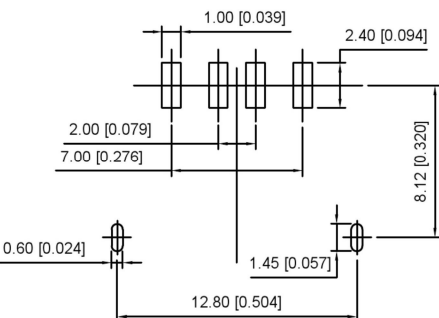
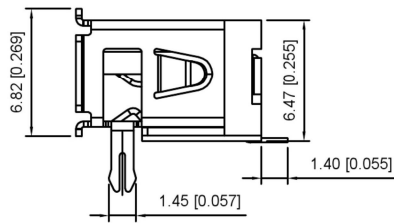
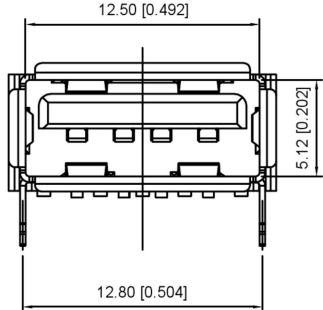
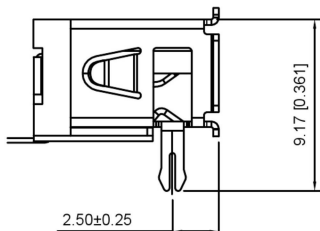


U221-04XN-4BVS65-S5D



XFB Connectly



FRONT EDGE OF CONNECTOR  
PCB LAYOUT (T=1.60mm)

NOTES:

- 1.材料规格 MATERIAL SPECIFICATION:
- 1) 胶壳 HOUSING MATERIAL:BLACK LCP ROHS;
  - 2) 外壳 SHELL MATERIAL:C2680 T=0.30  
电镀 PLATING:NICKE;
  - 3) 端子 TERMINAL: C5191 T=0.25  
电镀 PLATING:SEMI GOLD TIN G/F;
- 2.电气特性 ELECTRICAL CHARACTERISTIC:
- 1) 绝缘电阻 INSULATION RESISTANCE: 1000MΩ MIN;
  - 2) 接触电阻 CONTACT RESISTANCE: 30mΩ MAX;
  - 3) 耐压 WITHSTANDING VOLTAGE: 500V AC;
- 3.机器特性 MECHANICAL CHARACTERISTICS:
- 1) 插入力 INSERTION FORCE:3.57Kgf Max;
  - 2) 拔出力 EXTRACTION FORCE:1.02Kgf Min;

				ANGLAR	±5°		DSND		SCALE: N/A	MODEL TYPE: USB 2.0	
				L ≤ 4	±0.2		DWN		VIEW:	PART NO.:	
				4 < L ≤ 16	±0.3		CHKD		UNIT: mm/in	DWG NO.:	
				16 < L ≤ 63	±0.4		APPD		SIZE: A4	U221-04XN-4BVS65-S5D	
				L > 63	±0.5					WEIGHT	SHEET
DESCRIPTION				DATE	REVISED	APPROVED	UNSPECIFIED TOLERANCES			KE SI DA ELECTRONIC TECHNOLOGY CO., LTD	
REVISIONS										1/1	A0
WWW.BODONGKAIGUAN.NET				WWW.CKJACK.COM			WWW.KSDKG.COM				