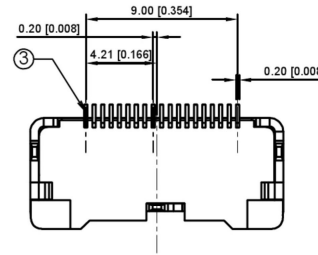
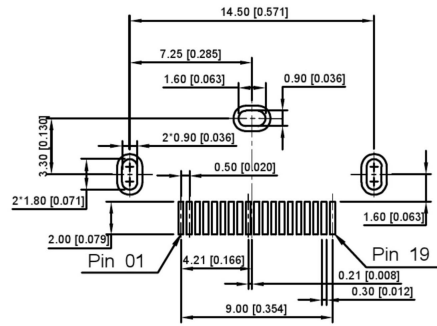
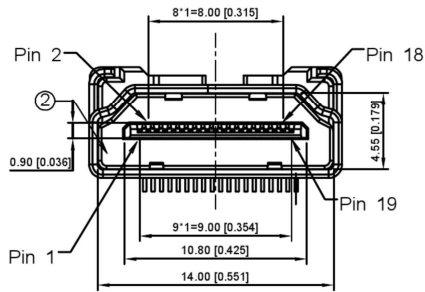


A71-05H6-1X1N1



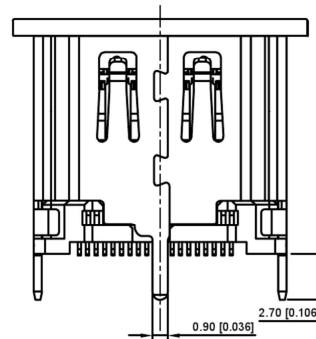
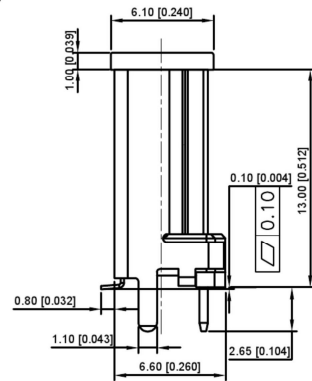
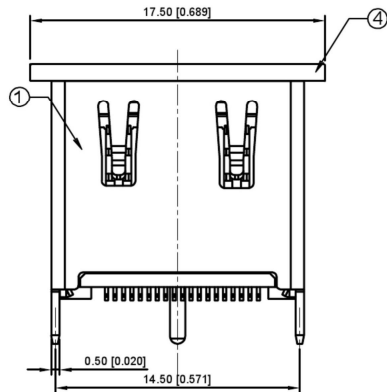
ROHS COMPLIANCE

RECOMMENDED P.C.B. LAYOUT (T:1.20~1.60mm)
TOLERANCE UNSPECIFIED ±0.05mm


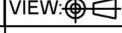
1:Au 1U"
5:Au 15U"
6:Au 30U"

SPECIFICATIONS

1. OPERATING CURRENT: 0.5A MAX.
2. OPERATION TEMPERATURE: -25°C TO +85°C
3. DIELECTRIC WITHSTANDING VOLTAGE:
500Volts AC BETWEEN ADIACENT TERMINAL (UNMATE)
300Volts AC BETWEEN ADIACENT TERMINAL (MATE)
4. INSULATION RESISTANCE:
100Mohm MIN (UNMATED); 10Mohm MIN. (MATED)
5. HDMI SPECIFICATION COMPLIANCE



4	DUST COVER	1	THERMOPLASTIC UL94V-0
3	CONTACTS	19	COPPER ALLOY, GOLD PLATED OVER NICKEL ON CONTACT AREA AND 100U" MIN. TIN PLATED OVER NICKEL ON SOLDER TAILS
2	HOUSING	1	THERMOPLASTIC UL94V-0
1	SHELL	1	COPPER ALLOY OR SPCC, NICKEL PLATED

				ANGULAR	±5°	 SWITCH CONNECTOR	DSND	SCALE: N/A	MODEL TYPE: HDMI CONNECTOR	
				L ≤ 4	±0.2		DWN	VIEW: 	PART NO.:	
				4 < L ≤ 16	±0.3		CHKD	UNIT: mm/in	DWG NO.:	
				16 < L ≤ 63	±0.4		APPD	SIZE: A4	A71-05H6-1X1N1	
				L > 63	±0.5				WEIGHT	SHEET
REVISIONS				UNSPECIFIED TOLERANCES		KE SI DA ELECTRONIC TECHNOLOGY CO., LTD			1/1	A0
WWW.BODONGKAIGUAN.NET				WWW.CKJACK.COM		WWW.KSDKG.COM				