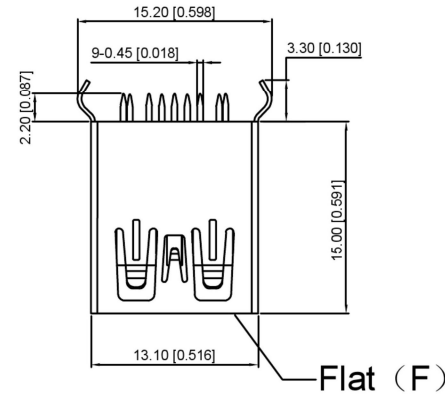
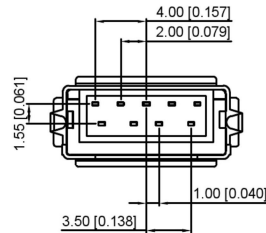
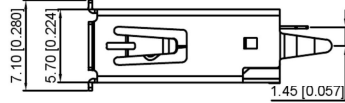
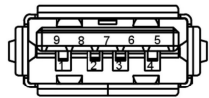


3D VIEW



Scrolls (S)

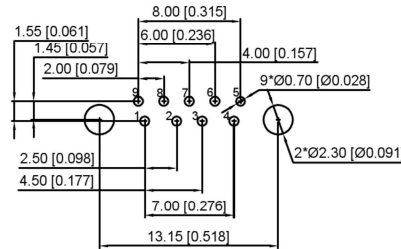
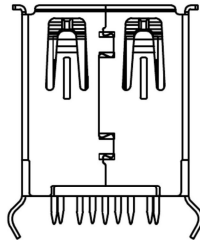
Flat (F)



U233-09XN-1BLPC15-X 2

1: Au 1U"  
5: Au 15U"  
6: Au 30U"

S: Scrolls F: Flat



RECOMMENDED P.C.B LAYOUT TOP VIEW  
(COMPONENT SIDE TOLERANCE±0.05)

**Material**  
Housing Material: LCP, UL94V-0, blue  
Contact Terminal: Brass  
Metallic Shell: Brass  
Plating  
Underplating: Nickel  
Contact Plating: 1µ" Gold  
Solder Tail: 100µ" Min. Tin  
Metallic Shell: Nickel  
**Electrical**  
Voltage Rating: 100 V AC  
Current Rating: 0.25A (Signal pins 2,3,5,6,7,8,9) 1.5A (Power Pins 1,4)  
Contact Resistance: 30mΩ Max.  
Insulation resistance: 1000MΩ Min.  
Dielectric withstanding voltage: 100V AC/Minute  
**Mechanical**  
Durability: 1500 cycles  
Mating Force: 35N (3.57Kgf) Max  
Unmating Force: 10N (1.02Kgf) Min. initial, 8N min after test  
**Environmental and Processing**  
Operating Temperature: -40°C to +85°C

Pin #	SIGNAL NAME	DESCRIPTION	MATING SEQUENCE
1	VBUS	POWER	SECOND
2	D-	USB 2.0 DIFFERENTIAL PAIR	THIRD
3	D+		
4	GND	GROUND FOR POWER RETURN	SECOND
5	SigA_SSRX-	SUPERSPEED RECEIVER DIFFERENTIAL PAIR	LAST
6	SigA_SSRX+		
7	GND_DRAIN	GROUND FOR SIGNAL RETURN	
8	SigA_SSTX-	SUPERSPEED TRANSMITTER DIFFERENTIAL PAIR	
9	SigA_SSTX+		
Shell	Shield	CONNECTOR METAL SHELL	FIRST

					ANGULAR	±5°	DSND	SCALE: N/A	MODEL TYPE: USB 3.0		
ΔX					L ≤ 4	±0.2	DWN	VIEW:	PART NO.:		
ΔX					4 < L ≤ 16	±0.3	CHKD	UNIT: mm/in	DWG NO.:		
ΔX					16 < L ≤ 63	±0.4	APPD	SIZE: A4	U233-09XN-1BLPC15-X2		
MARK	DESCRIPTION	DATE	REVISED	APPROVED	L > 63	±0.5			WEIGHT	SHEET	REVISION
REVISIONS					UNSPECIFIED TOLERANCES		KE SI DA ELECTRONIC TECHNOLOGY CO., LTD			1/1	A0
WWW.BODONGKAIGUAN.NET					WWW.CKJACK.COM		WWW.KSDKG.COM				

