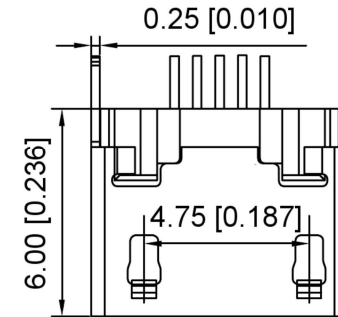


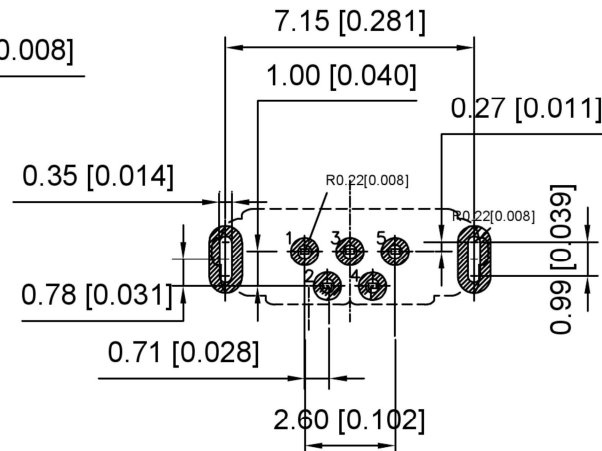
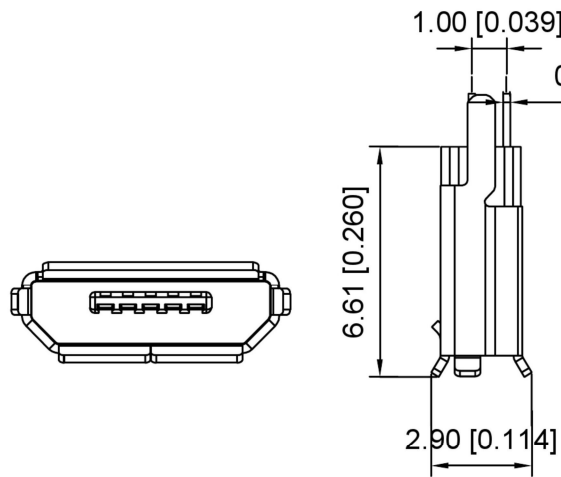
U255-05XN-4BH73-XS

S:SUS
S:Scrolls F:Flat

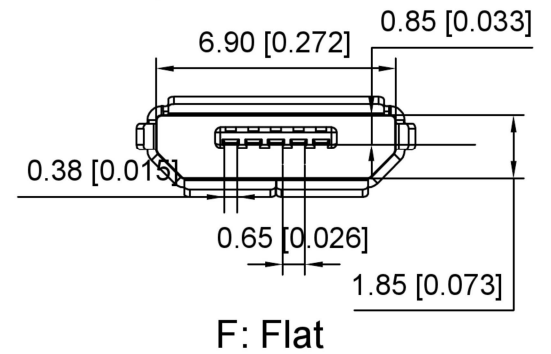
1:AU 1U"
5:AU 15U"
6:AU 30U"



S:Scrolls



RECOMMENDED P.C.B LAYOUT



F: Flat

Housing Material: LCP UL94V-0, black
Contact Terminal: PHOSPHOR BRONZE
Metallic Shell: SUS

				ANGLAR	±5°		DSND		SCALE: N/A	MODEL TYPE: MICRO USB		
				L ≤ 4	±0.2		DWN		VIEW:	PART NO.:		
				4 < L ≤ 16	±0.3		CHKD		UNIT: mm/in	DWG NO.:		
				16 < L ≤ 63	±0.4		APPD		SIZE: A4	U255-05XN-4BH73-XS		
				L > 63	±0.5					WEIGHT	SHEET	REVISION
DESCRIPTION				DATE	REVISED	APPROVED	KE SI DA ELECTRONIC TECHNOLOGY CO., LTD					
REVISIONS				UNSPECIFIED TOLERANCES								
WWW.BODONGKAIGUAN.NET				WWW.CKJACK.COM			WWW.KSDKG.COM				1/1	A0