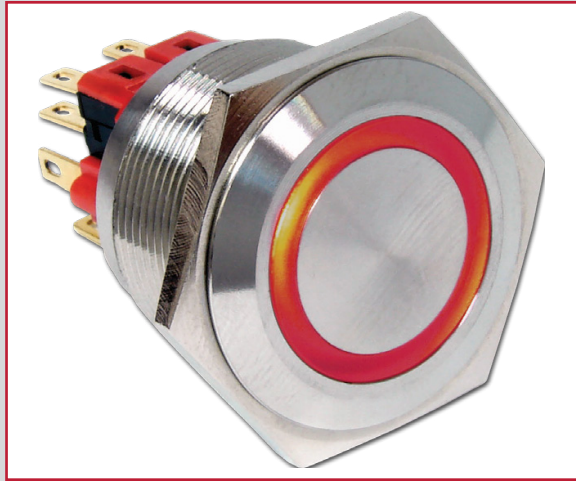
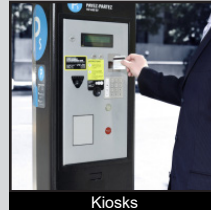


# PV8 SERIES ANTI-VANDAL SWITCH

ANTI-VANDAL SWITCHES  
DETECTOR SWITCHES  
DIP SWITCHES  
KEYLOCK SWITCHES  
NAVIGATION SWITCHES  
PUSHBUTTON SWITCHES  
ROCKER SWITCHES  
ROTARY SWITCHES  
SLIDE SWITCHES  
SNAP ACTION SWITCHES  
TACTILE SWITCHES  
TOGGLE SWITCHES  
CAP OPTIONS



## APPLICATIONS / MARKETS



## SPECIFICATIONS

**Electrical Rating:** 2A, 48VDC  
**Electrical Life:** 50,000 Cycles  
**Contact Resistance:** 50mΩ Max.  
**Insulation Resistance:** 1000 MΩ Min. @ 500VDC  
**Dielectric Strength:** 2,000VAC  
**Operating/Storage Temperature:** -20°C to 55°C  
**Travel:** 2.80mm  
**Moisture Protection:** IP65  
**Contact Arrangement:** SPDT& DPDT  
**Actuation Force:** 6.5 N  
**Panel Thickness:** 1-10mm for Momentary  
 1-12mm for Maintained  
**Mounting Nut Torque:** 5-14Nm

## FEATURES & BENEFITS

- 25mm diameter panel cutout
- LED color options
- Dot, ring or power symbol illumination available
- Multiple function options
- IP65 rated
- SPDT & DPDT arrangements
- Soldered wire leads (300mm long) optional

## PART NUMBER CONFIGURATOR

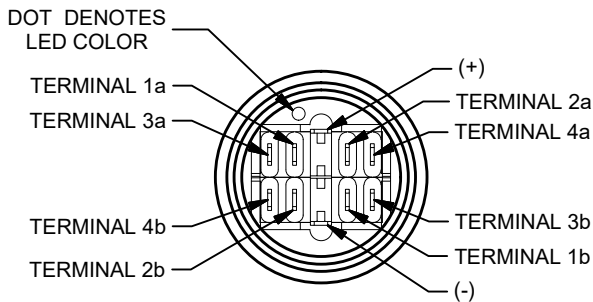
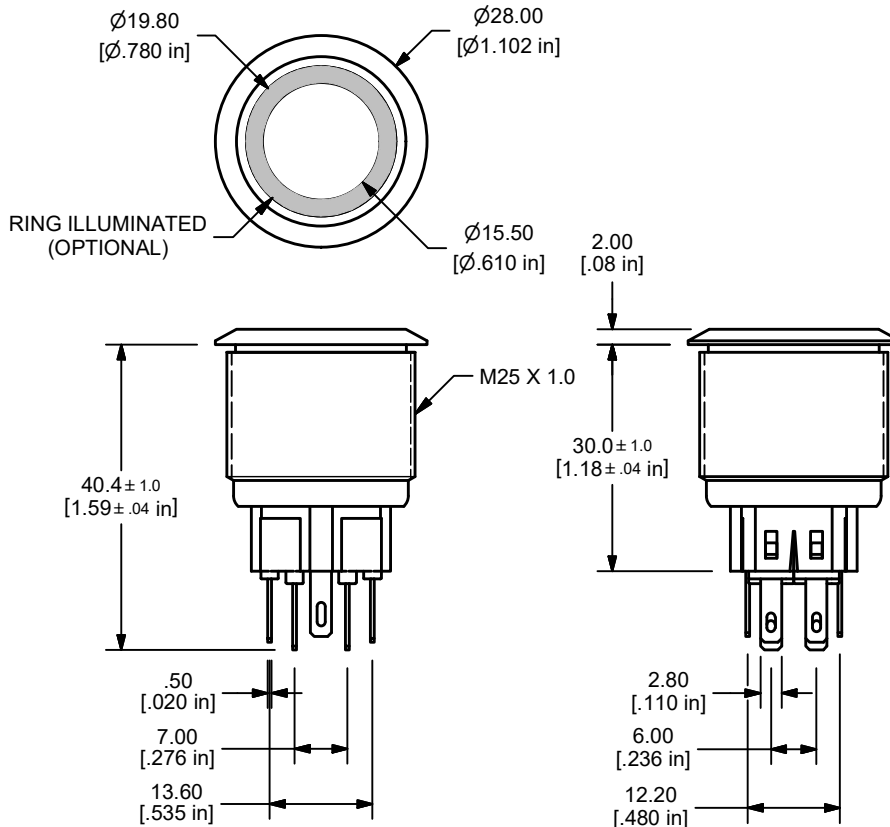
Series	Actuator Options	Terminal Options	Function Options	Rating Options	Body Finish Options	Actuator Finish Options	Lens Style Options	LED-Color Options	Illumination Voltage Options	Graphic (Optional)
<input type="checkbox"/> PV8	<input type="checkbox"/> F - Flat	<input type="checkbox"/> 2 - Solder <input type="checkbox"/> W - Wire Leads 300mm long	<input type="checkbox"/> T - 1 Pole 1P Off-On + 1P On-Off <input type="checkbox"/> Y - 1 Pole 1P Off-(On) + 1P On-(Off) <input type="checkbox"/> U - 2 Pole 2P Off-On + 2P On-Off <input type="checkbox"/> V - 2 Pole 2P Off-(On) + 2P On-(Off)	<input type="checkbox"/> 0 - 2A, 48VDC	<input type="checkbox"/> 1 - Black Anodized <input type="checkbox"/> N - Nickel Plated <input type="checkbox"/> S - Stainless Steel	<input type="checkbox"/> 1 - Black Anodized <input type="checkbox"/> N - Nickel Plated <input type="checkbox"/> S - Stainless Steel	<input type="checkbox"/> NONE - Non-Illuminated <input type="checkbox"/> 2 - Dot Illumination <input type="checkbox"/> 3 - Ring Illumination	<input type="checkbox"/> NONE- Non-Illuminated <input type="checkbox"/> 0 - White <input type="checkbox"/> 1 - Red <input type="checkbox"/> 2 - Orange <input type="checkbox"/> 3 - Green <input type="checkbox"/> 4 - Blue <input type="checkbox"/> 5 - Yellow	<input type="checkbox"/> NONE - Non-Illuminated <input type="checkbox"/> 1 - Base Voltage <input type="checkbox"/> 3 - 6V <input type="checkbox"/> 4 - 12V <input type="checkbox"/> 5 - 24V <input type="checkbox"/> 6 - 125V <input type="checkbox"/> 7 - 250V	<input type="checkbox"/> M11 - Power symbol laser etched <input type="checkbox"/> M14 - Power symbol / Ring Illumination

**NOTES:**  
 \*( ) denotes function is momentary

Specifications subject to change without notice 3.15.2022

# PV8 SERIES ANTI-VANDAL SWITCH

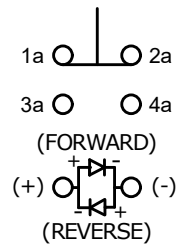
## STANDARD LED FUNCTIONS T & U



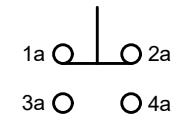
SPDT - FUNCTION T  
TERMINALS 1a - 4a

DPDT - FUNCTION U  
TERMINALS 1a - 4a AND  
1b - 4b (AS SHOWN)

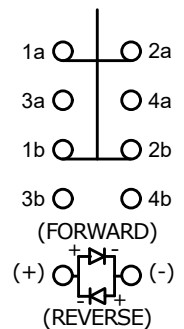
TERMINALS (-) AND (+)  
USED WITH ILLUMINATED  
OPTION ONLY



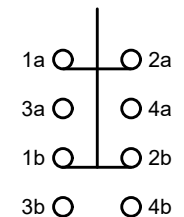
**SPDT LED SCHEMATIC**



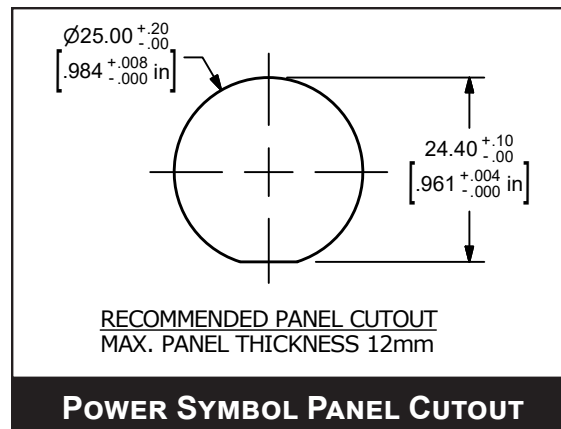
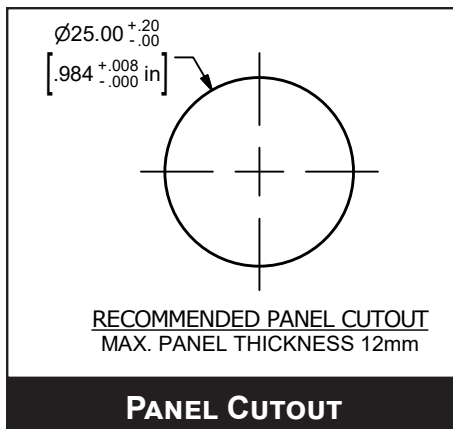
**SPDT Non ILL SCHEMATIC**



**DPDT LED SCHEMATIC**

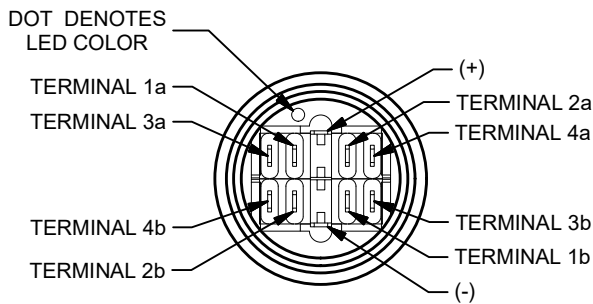
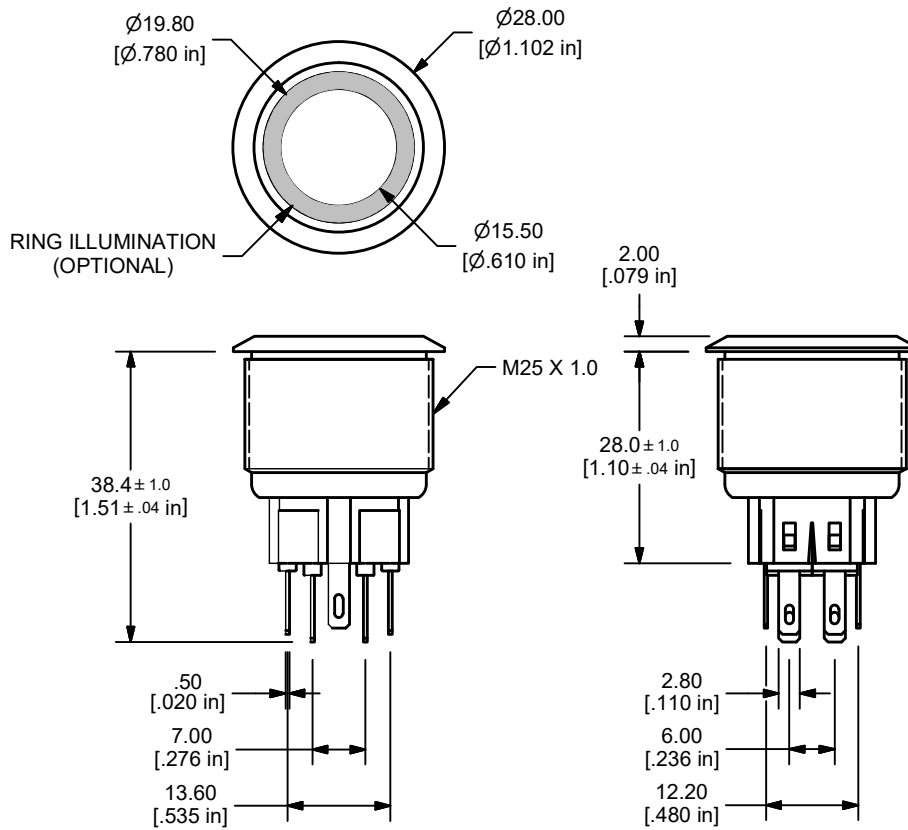


**DPDT Non ILL SCHEMATIC**



# PV8 SERIES ANTI-VANDAL SWITCH

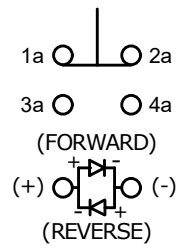
## STANDARD LED FUNCTIONS Y & V



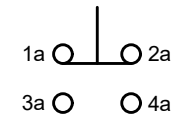
SPDT - FUNCTION Y  
TERMINALS 1a - 4a

DPDT - FUNCTION V  
TERMINALS 1a - 4a AND  
1b - 4b (AS SHOWN)

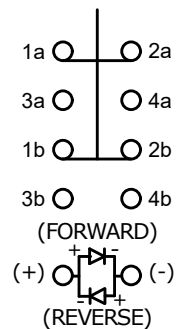
TERMINALS (-) AND (+)  
USED WITH ILLUMINATED  
OPTION ONLY



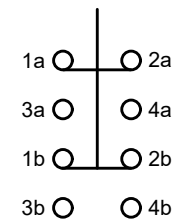
**SPDT LED SCHEMATIC**



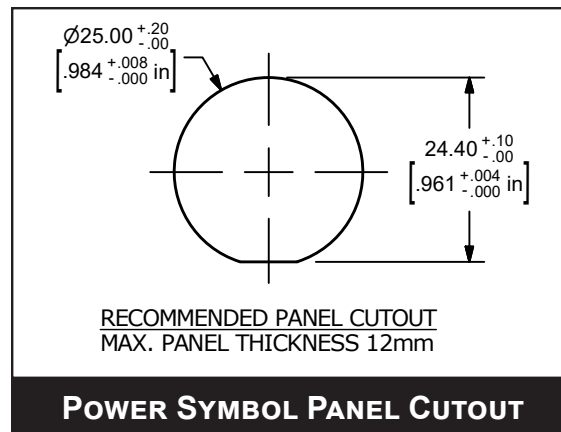
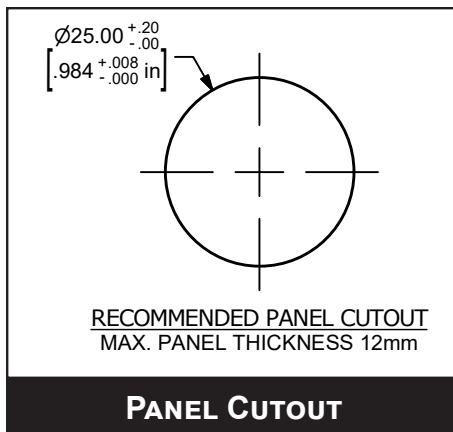
**SPDT Non ILL SCHEMATIC**



**DPDT LED SCHEMATIC**

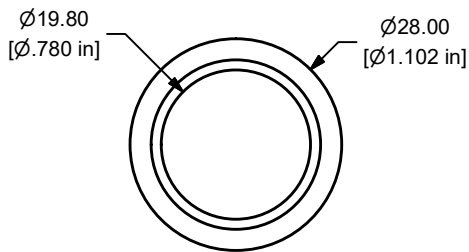


**DPDT Non ILL SCHEMATIC**

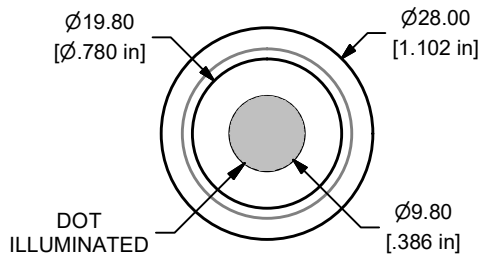


# PV8 SERIES ANTI-VANDAL SWITCH

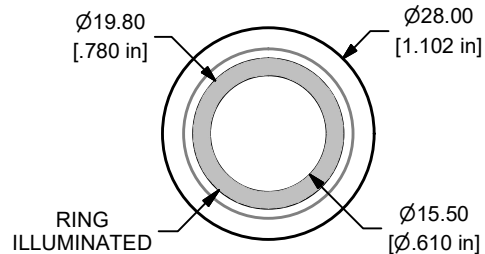
## ACTUATOR OPTIONS



**FLAT NON-ILLUMINATED**

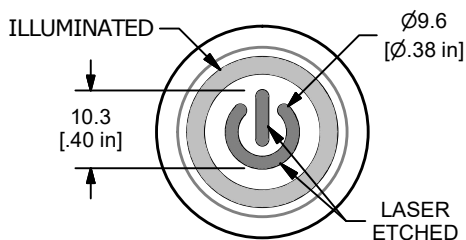


**FLAT DOT ILLUMINATED**

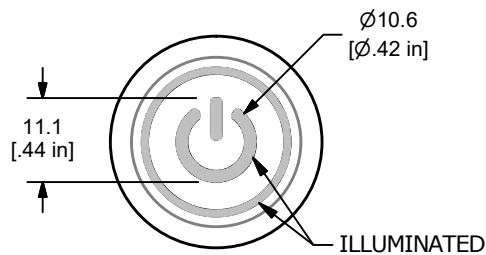


**FLAT RING ILLUMINATED**

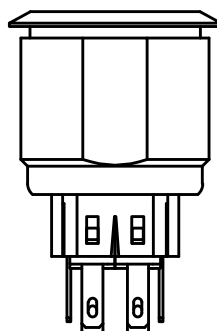
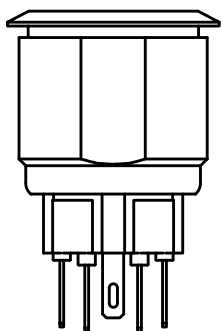
## GRAPHIC OPTIONS



**M11**



**M14**



ANTI-VANDAL SWITCHES

DETECTOR SWITCHES

DIP SWITCHES

KEYLOCK SWITCHES

NAVIGATION SWITCHES

PUSHBUTTON SWITCHES

ROCKER SWITCHES

ROTARY SWITCHES

SLIDE SWITCHES

SNAP ACTION SWITCHES

TACTILE SWITCHES

TOGGLE SWITCHES

CAP OPTIONS

# PV8 SERIES ANTI-VANDAL SWITCH

## STANDARD LED WIRE LEAD

SWITCH	WIRE	LENGTH
SW1-1a	WIRE, 24AWG AWM UL1015, WHITE	300.0 [11.8 in]
SW1-2a	WIRE, 24AWG AWM UL1015, WHITE	300.0 [11.8 in]
SW1-3a	WIRE, 24AWG AWM UL1015, BLUE	300.0 [11.8 in]
SW1-4a	WIRE, 24AWG AWM UL1015, BLUE	300.0 [11.8 in]
SW1-1b	WIRE, 24AWG AWM UL1015, WHITE	300.0 [11.8 in]
SW1-2b	WIRE, 24AWG AWM UL1015, WHITE	300.0 [11.8 in]
SW1-3b	WIRE, 24AWG AWM UL1015, BLUE	300.0 [11.8 in]
SW1-4b	WIRE, 24AWG AWM UL1015, BLUE	300.0 [11.8 in]
SW1- (+)	WIRE, 24AWG AWM UL1015, RED	300.0 [11.8 in]
SW1- (-)	WIRE, 24AWG AWM UL1015, BLACK	300.0 [11.8 in]

\*\* WIRE LEADS PROVIDED ARE DEPENDANT ON THE FUNCTION AND/OR ILLUMINATION SELECTED \*\*

