

# PV4 SERIES ANTI-VANDAL SWITCH

ANTI-VANDAL SWITCHES  
DETECTOR SWITCHES  
DIP SWITCHES  
KEYLOCK SWITCHES  
NAVIGATION SWITCHES  
PUSHBUTTON SWITCHES  
ROCKER SWITCHES  
ROTARY SWITCHES  
SLIDE SWITCHES  
SNAP ACTION SWITCHES  
TACTILE SWITCHES  
TOGGLE SWITCHES  
CAP OPTIONS



## APPLICATIONS / MARKETS



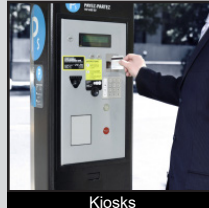
Audio / Visual



Security Devices



Industrial Controls



Kiosks



Electrical Housewares



Medical Equipment

# RoHS

## SPECIFICATIONS

**Electrical Rating:** 2A, 24VDC  
**Electrical Life:** 50,000 Cycles  
**Contact Resistance:** 50mΩ Max.  
**Insulation Resistance:** 1000 MΩ Min.  
**Dielectric Strength:** 2,000VAC  
**Operating/Storage Temperature:** -20°C to 55°C  
**Travel:** 2.50mm  
**Moisture Protection:** IP65  
**Contact Arrangement:** SPDT, DPDT  
**Actuation Force:** 4 N  
**Panel Thickness:** 1-11mm  
**Mounting Nut Torque:** 5-14Nm

## FEATURES & BENEFITS

- 19mm diameter panel cutout
- RGB LED option
- Dot, ring or power symbol illumination available
- Multiple function options
- IP65 rated
- SPDT & DPDT
- Soldered wire leads (300mm long) optional

## PART NUMBER CONFIGURATOR

Series	Actuator Options	Terminal Options	Function Options	Rating Options	Body Finish Options	Actuator Finish Options	Contact Material Options	Lens Style Options	LED-Color Options	Illumination Voltage Options	Graphic (Optional)
<input type="text" value="PV4"/>	<input type="text" value="F - Flat"/> <input type="text" value="H - High"/>	<input type="text" value="2 - Solder"/> <input type="text" value="6 - Screw*"/> <input type="text" value="W - Wire"/> Leads 300mm	<input type="text" value="3 - 1P"/> <input type="text" value="On-On"/> <input type="text" value="B - 1P"/> <input type="text" value="On-(On)"/> <input type="text" value="G - 2P"/> <input type="text" value="On-On"/> <input type="text" value="H - 2P"/> <input type="text" value="On-(On)"/> <input type="text" value="Y - Double break"/> <input type="text" value="1P Off-(On)"/> <input type="text" value="1P On-(Off)"/>	<input type="text" value="0 - 2A, 24VDC"/>	<input type="text" value="S - Stainless Steel"/> <input type="text" value="1 - Black"/> <input type="text" value="Anodized"/>	<input type="text" value="S - Stainless Steel"/> <input type="text" value="1 - Black"/> <input type="text" value="Anodized"/>	<input type="text" value="None - Silver"/> <input type="text" value="G - Gold"/>	<input type="text" value="NONE - Non-Illuminated"/> <input type="text" value="2 - Dot Illumination"/> <input type="text" value="3 - Ring Illumination"/>	<input type="text" value="NONE - Non-Illuminated"/> <input type="text" value="0 - White"/> <input type="text" value="1 - Red"/> <input type="text" value="2 - Orange"/> <input type="text" value="3 - Green"/> <input type="text" value="4 - Blue"/> <input type="text" value="5 - Yellow"/> <input type="text" value="F - Red/Orange"/> <input type="text" value="G - Red/Green"/> <input type="text" value="H - Red/Blue"/> <input type="text" value="J - Red/Yellow"/> <input type="text" value="K - Orange/Green"/> <input type="text" value="L - Orange/Blue"/> <input type="text" value="M - Orange/Yellow"/> <input type="text" value="R - RGB LED***"/>	<input type="text" value="NONE - Non-Illuminated"/> <input type="text" value="1 - Base Voltage"/> <input type="text" value="3 - 6V"/> <input type="text" value="4 - 12V"/> <input type="text" value="5 - 24V"/> <input type="text" value="6 - 125V"/> <input type="text" value="7 - 250V"/>	<input type="text" value="M01 - Power symbol laser etched"/> <input type="text" value="M26 - Power symbol illuminated**"/>

### NOTES:

( ) denotes function is momentary  
 \* Screw termination is available only with "Y" function option  
 \*\* Illuminated power symbol graphic is only available with ring Illumination  
 \*\*\* RGB is only for SPDT functions 3 and B

Specifications subject to change without notice 5.2.2019

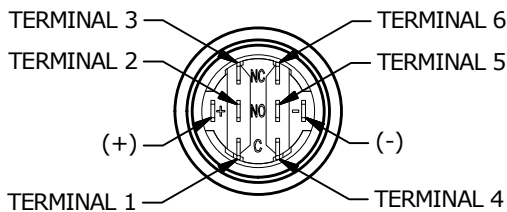
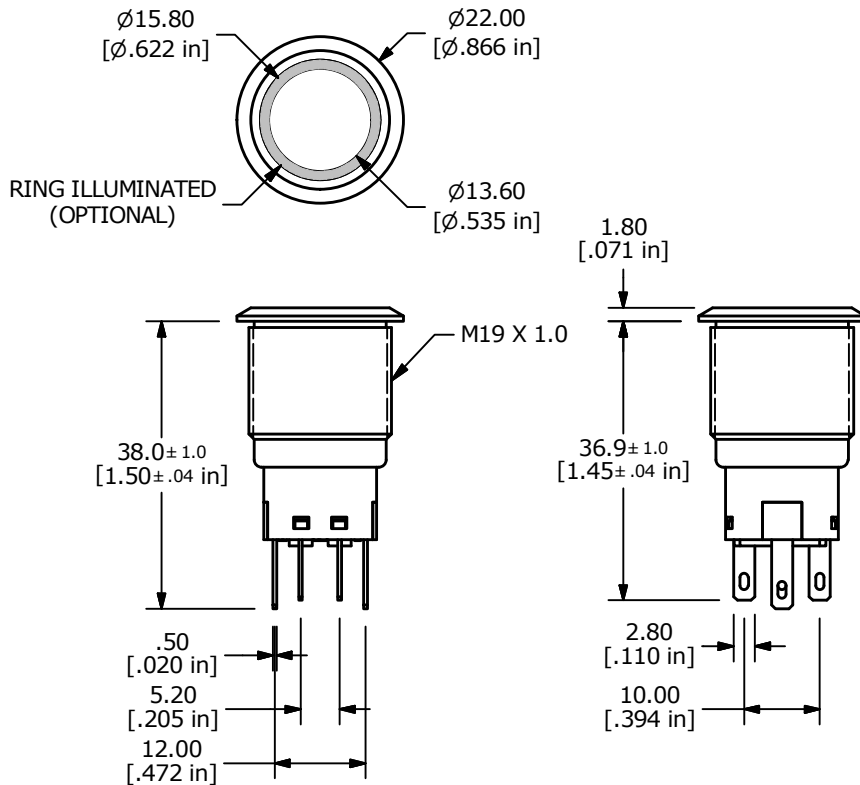
**KSD**  
SWITCH CONNECTOR

ksdswitch@163.com TEL0769-89365805

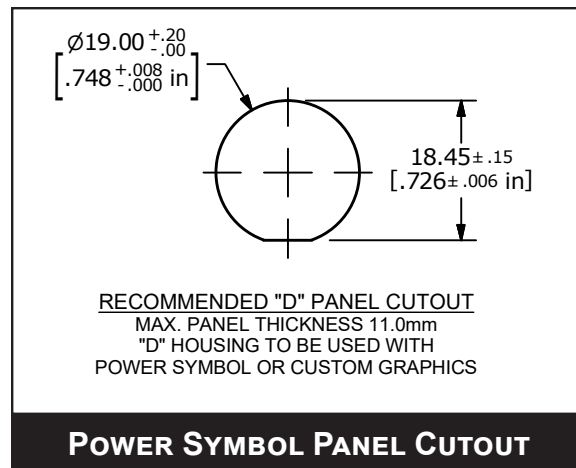
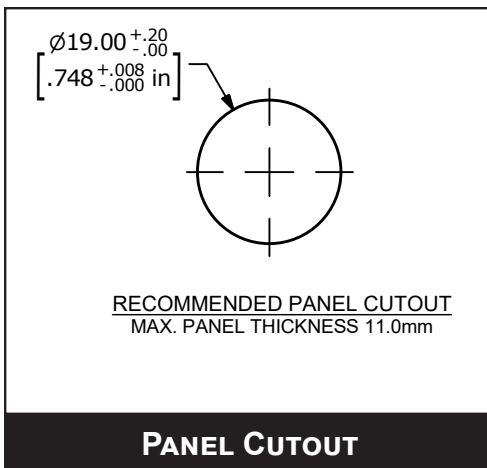
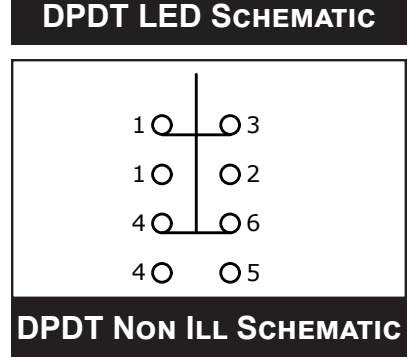
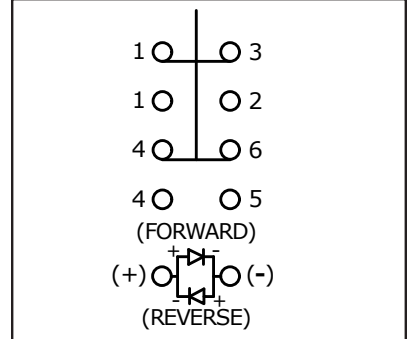
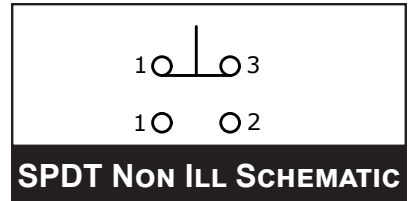
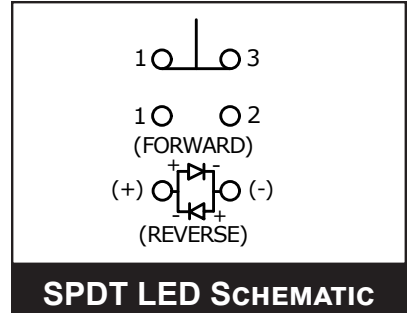
1

# PV4 SERIES ANTI-VANDAL SWITCH

## STANDARD LED FUNCTIONS 3, B, G & H



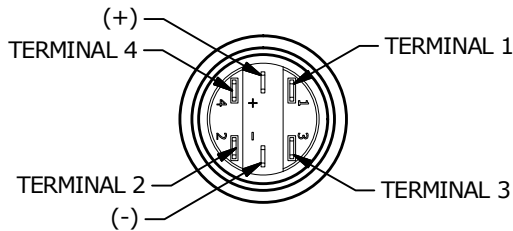
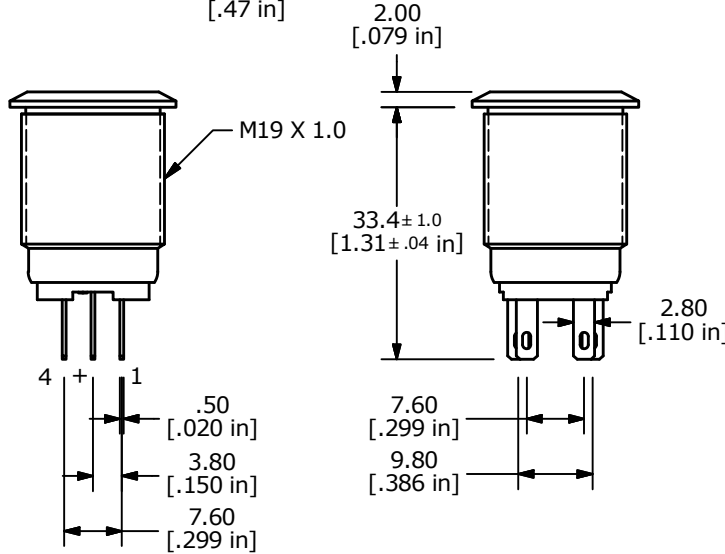
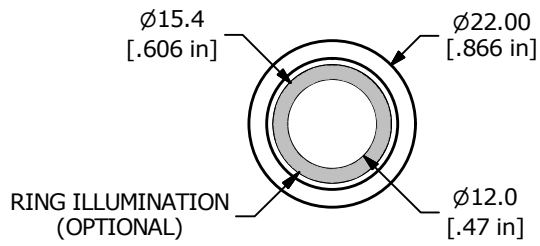
DPDT ILLUMINATED OPTION SHOWN LED (+) AND (-) TERMINALS ARE NOT INCLUDED ON THE NON-ILLUMINATED OPTION  
TERMINALS 4,5 AND 6 ARE NOT ON THE SPDT VERSION  
FUNCTIONS 3 & B ARE SPDT  
FUNCTIONS G & H ARE DPDT



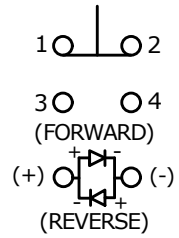
ANTI-VANDAL SWITCHES  
DETECTOR SWITCHES  
DIP SWITCHES  
KEYLOCK SWITCHES  
NAVIGATION SWITCHES  
PUSHBUTTON SWITCHES  
ROCKER SWITCHES  
ROTARY SWITCHES  
SLIDE SWITCHES  
SNAP ACTION SWITCHES  
TACTILE SWITCHES  
TOGGLE SWITCHES  
CAP OPTIONS

# PV4 SERIES ANTI-VANDAL SWITCH

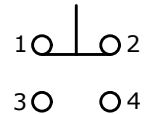
## Y FUNCTION W/ SOLDER TERMINALS



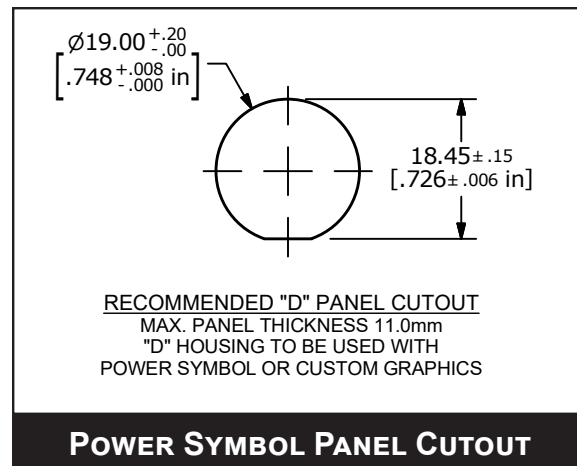
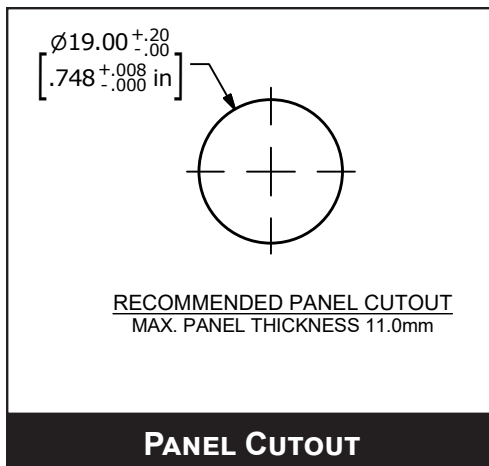
ILLUMINATED OPTION SHOWN LED (+) AND (-) TERMINALS ARE NOT ON THE NON-ILLUMINATED OPTION



**SPDT LED SCHEMATIC**

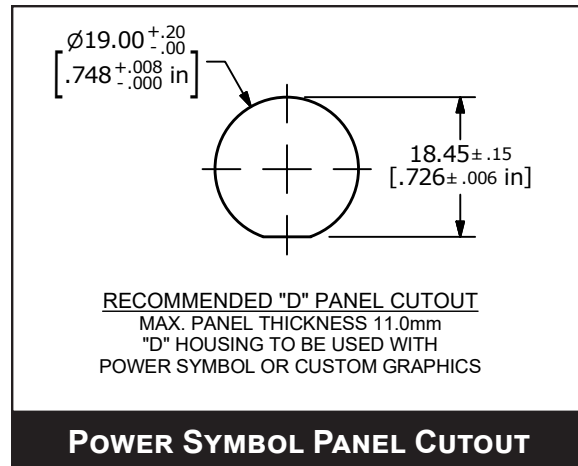
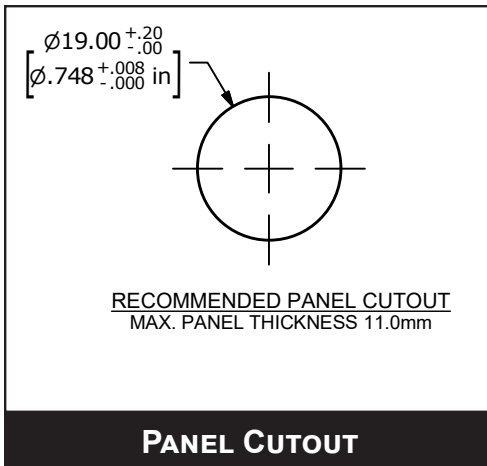
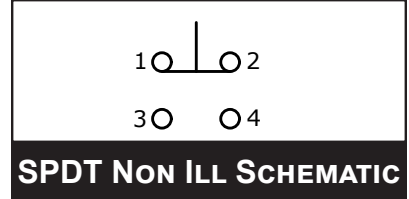
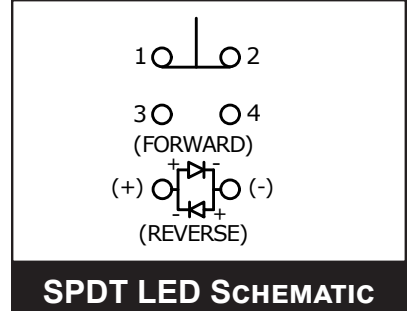
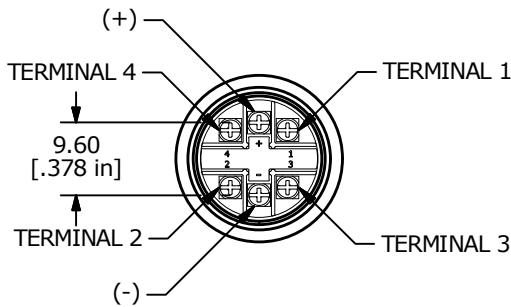
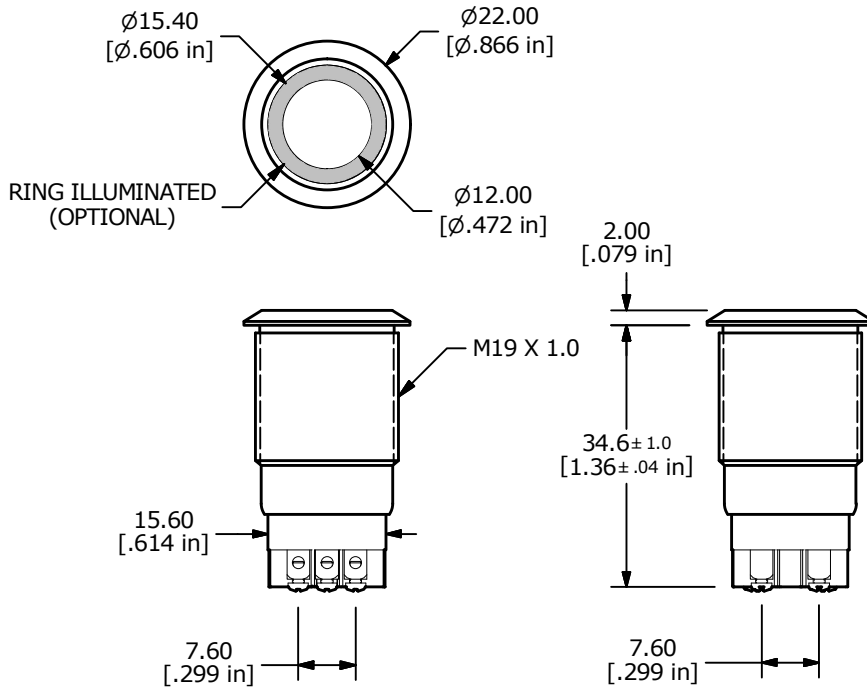


**SPDT Non ILL SCHEMATIC**



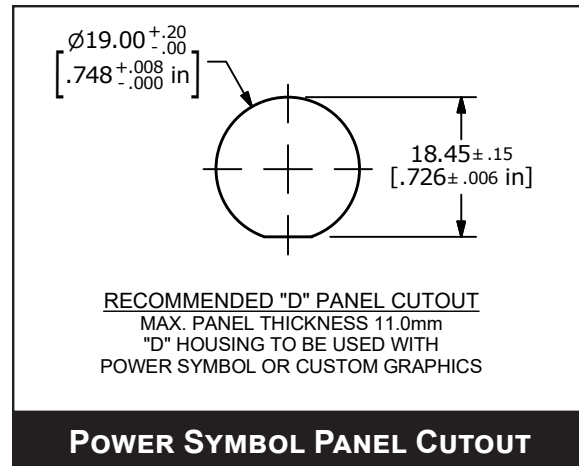
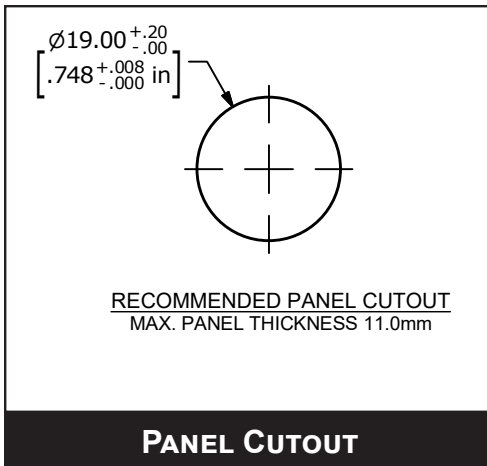
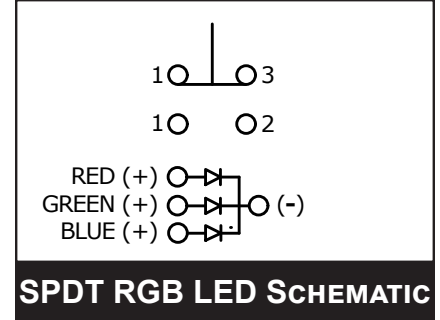
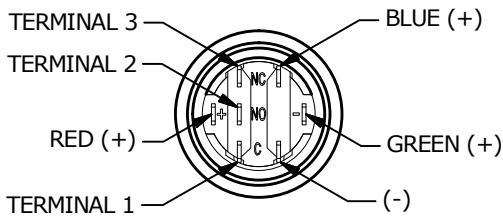
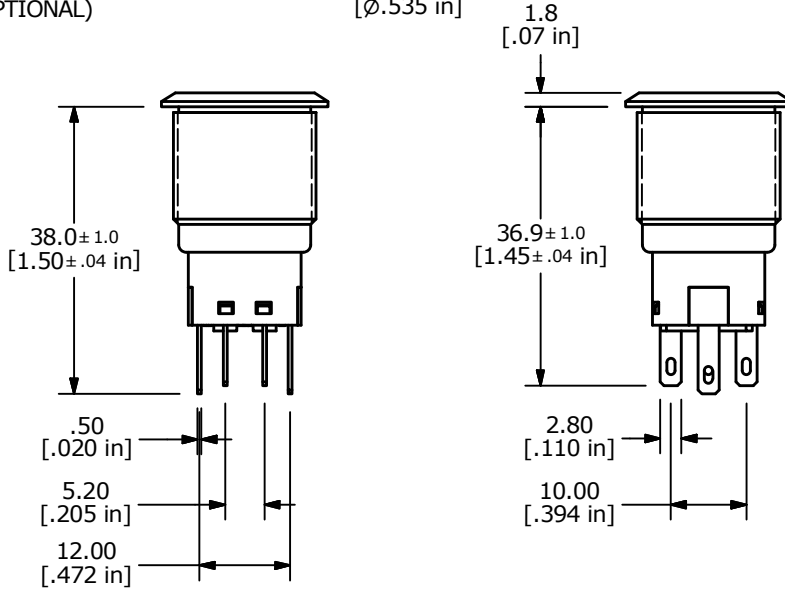
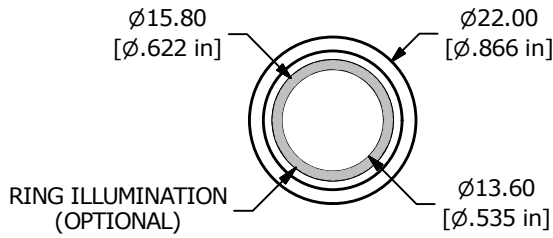
# PV4 SERIES ANTI-VANDAL SWITCH

## Y FUNCTION W/ SCREW TERMINALS



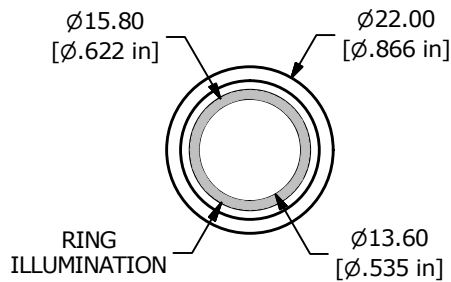
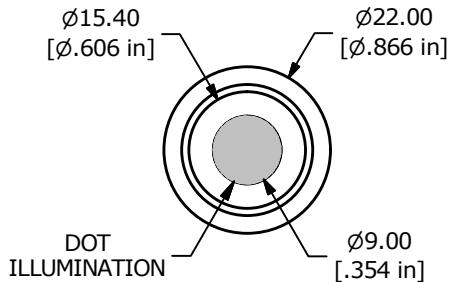
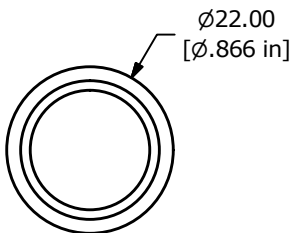
# PV4 SERIES ANTI-VANDAL SWITCH

## RGB LED ILLUMINATION FUNCTIONS 3 & B



# PV4 SERIES ANTI-VANDAL SWITCH

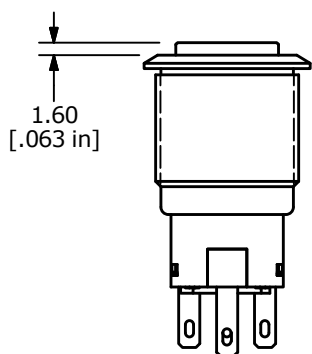
## ACTUATOR OPTIONS



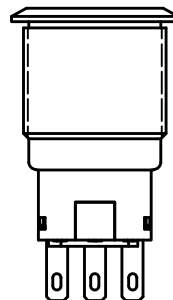
**FLAT NON-ILLUMINATED**

**FLAT DOT ILLUMINATED**

**FLAT RING ILLUMINATED**

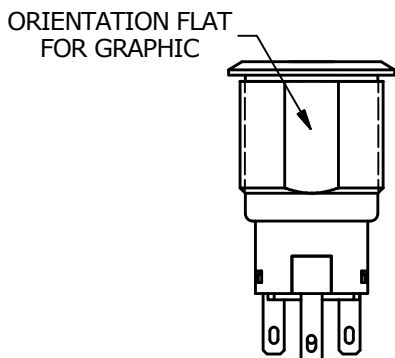
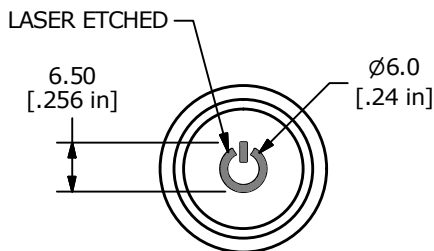


**HIGH ACTUATOR**

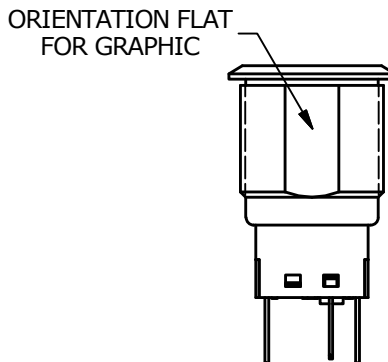
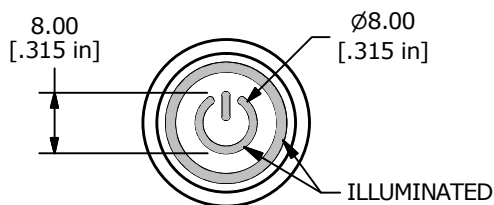


**FLAT ACTUATOR**

## GRAPHIC OPTIONS



**M01**



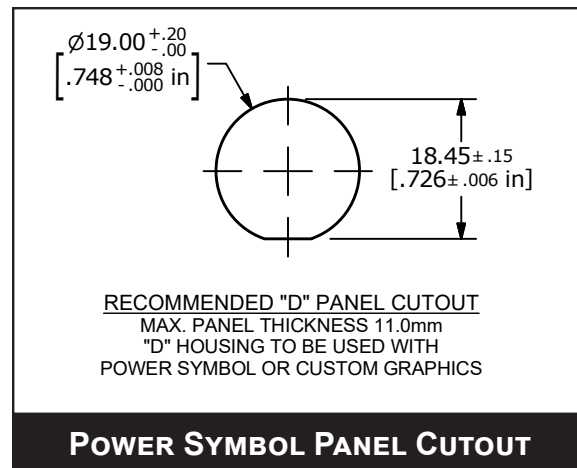
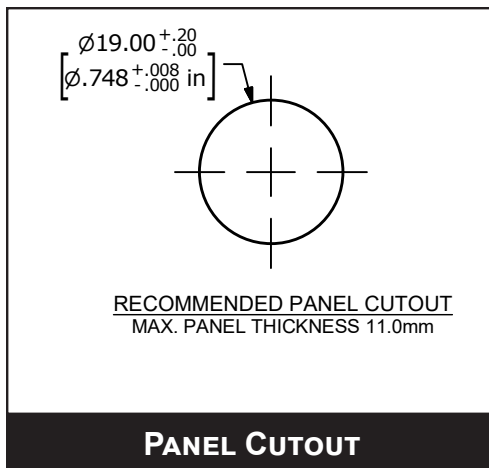
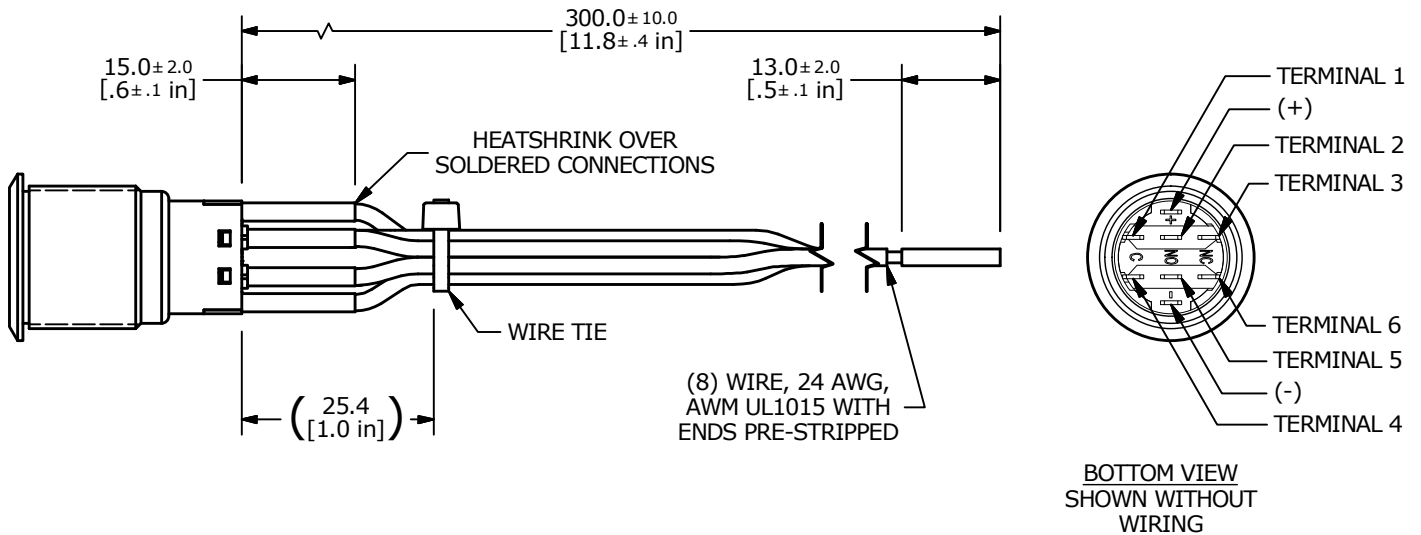
**M26**

# PV4 SERIES ANTI-VANDAL SWITCH

## STANDARD LED WIRE LEAD

SWITCH	WIRE	LENGTH
SW1-1	WIRE, 24AWG AWM UL1015, YELLOW	300.0 [11.8 in]
SW1-2	WIRE, 24AWG AWM UL1015, BLUE	300.0 [11.8 in]
SW1-3	WIRE, 24AWG AWM UL1015, GREEN	300.0 [11.8 in]
SW1-4	WIRE, 24AWG AWM UL1015, PURPLE	300.0 [11.8 in]
SW1-5	WIRE, 24AWG AWM UL1015, ORANGE	300.0 [11.8 in]
SW1-6	WIRE, 24AWG AWM UL1015, WHITE	300.0 [11.8 in]
SW1- (+)	WIRE, 24AWG AWM UL1015, RED	300.0 [11.8 in]
SW1- (-)	WIRE, 24AWG AWM UL1015, BLACK	300.0 [11.8 in]

\*\* WIRE LEADS PROVIDED ARE DEPENDANT ON THE FUNCTION AND/OR ILLUMINATION SELECTED \*\*



# PV4 SERIES ANTI-VANDAL SWITCH

## RGB LED WIRE LEAD

SWITCH	WIRE	LENGTH
SW1-1	WIRE, 24AWG AWM UL1015, ORANGE	300.0 [11.8 in]
SW1-2	WIRE, 24AWG AWM UL1015, WHITE	300.0 [11.8 in]
SW1-3	WIRE, 24AWG AWM UL1015, YELLOW	300.0 [11.8 in]
SW1-RED (+)	WIRE, 24AWG AWM UL1015, RED	300.0 [11.8 in]
SW1-GREEN (+)	WIRE, 24AWG AWM UL1015, GREEN	300.0 [11.8 in]
SW1-BLUE (+)	WIRE, 24AWG AWM UL1015, BLUE	300.0 [11.8 in]
SW1- (-)	WIRE, 24AWG AWM UL1015, BLACK	300.0 [11.8 in]

\*\* WIRE LEADS PROVIDED ARE DEPENDANT ON THE FUNCTION AND/OR ILLUMINATION SELECTED \*\*

