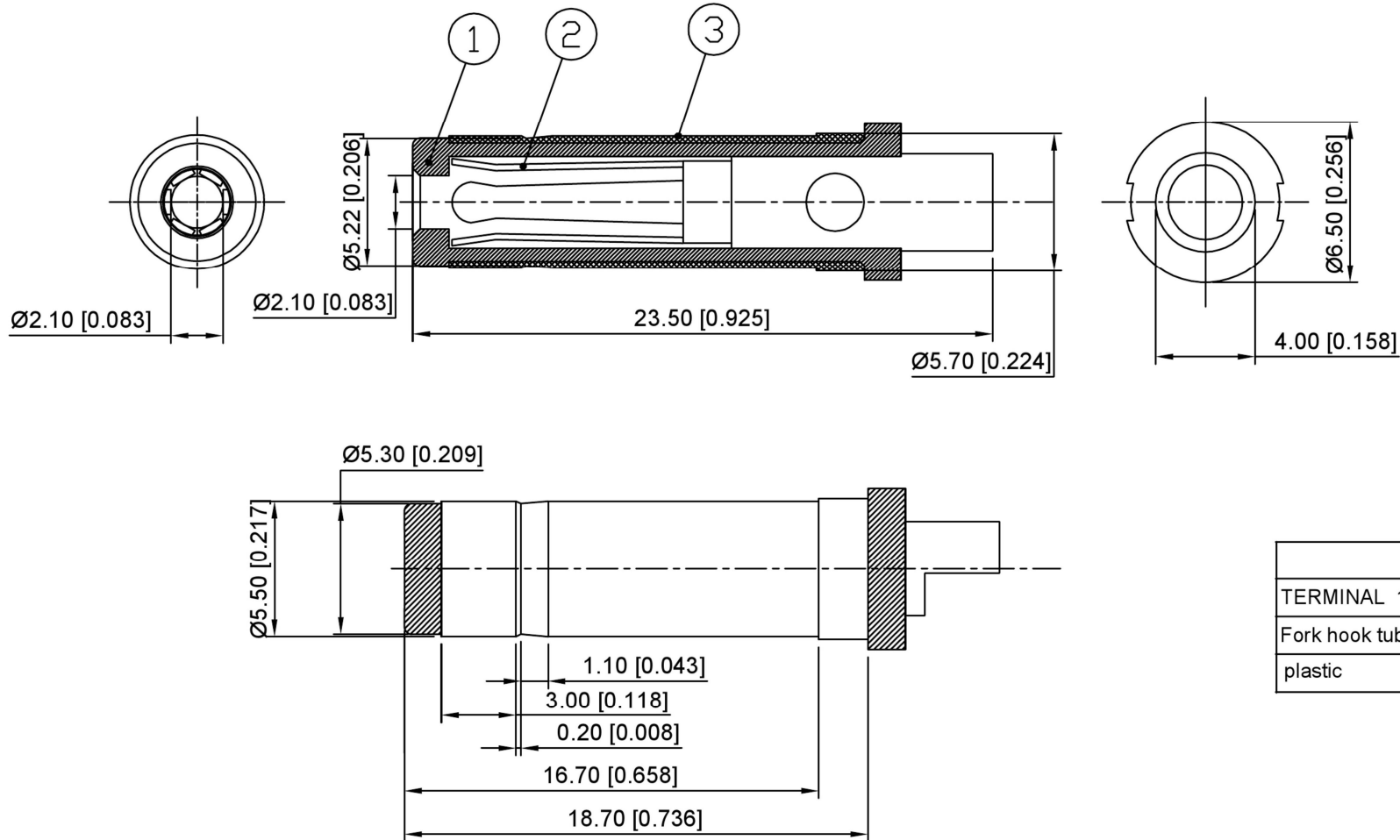


SPECIFICATIONS:

- 1.ELECTRICAL CHARACTERISTICS 1-1 RATING: DC24V6A
- 1-2. CONTACT RESISTANCE: 30mΩ MAX. (INITIAL)
- 1-3. DIELECTRIC WITHSTANDING VOLTAGE: 500V AC FOR ONE MINUTE
- 1-4. INSULATION RESISTANCE: 100MΩ MIN. MEASURED BY 500V DC
2. MECHANICAL CHARACTERISTICS:
- 2-1. Plug it into the mother socket 3 times INSERTION FORCE: 0.3~3.0 KGF
- 2-2. Plug it into the mother socket 5000 times INSERTION FORCE: 0.3~3.0
3. SALT FOG: 24 Hours
4. FOR REFLOW SOLDERING LEAD-FREE PROCESS.
5. *REPRESENT CRITICAL DIMENSIONS.



	MATERIAL	PLATING
TERMINAL 1	Phosphor bronze	NI
Fork hook tube	H65	NI
plastic	PBT	Black

				ANGLAR	±5°		DSND		SCALE: N/A	MODEL TYPE: DC PLUG		
				L ≤ 4	±0.2		DWN		VIEW:	PART NO.: DT-2355521		
				4 < L ≤ 16	±0.3		CHKD		UNIT: mm/in	DWG NO.:		
				16 < L ≤ 63	±0.4		APPD		SIZE: A4			
				L > 63	±0.5					WEIGHT	SHEET	REVISION
REVISIONS				UNSPECIFIED TOLERANCES		KE SI DA ELECTRONIC TECHNOLOGY CO., LTD				1/1	A0	
WWW.BODONGKAIGUAN.NET				WWW.CKJACK.COM						WWW.KSDKG.COM		