

SPECIFICATIONS:

1.ELECTRICAL CHARACTERISTICS:

1-1.RATING:DC 24V 8A

1-2 CONTACT RESISTANCE:30mΩ MAX(INMAL)

1-3DIELECTRIC WITHSTANDING VOLTAGE:500V AC FOR ONE MINUTE

1-4.INSULATION RESISTANCE:100MΩ MIN. MEASURED BY 500V DC

2.MECHANICAL CHARACTERISTICS:

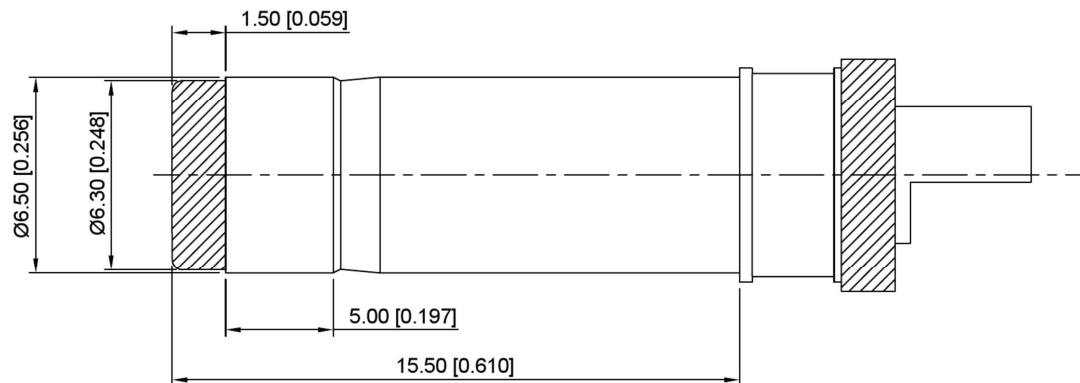
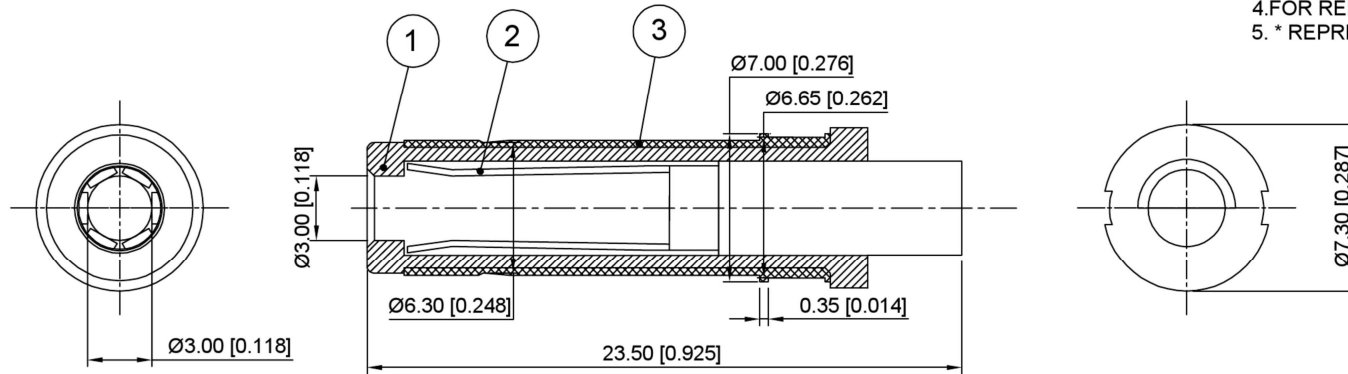
2-1.Plugit into the mother socket 3 times INSERTION FORCE:0.3~3.0 KGF

2-2.Plug it into the mother socket 5000 times INSERTION FORCE:0.3~3.0 KGF

3.SALTFOG:24 Hours

4.FOR REFLOW SOLDERING LEAD-FREE PROCESS

5. * REPRESENT CRITICAL DIMENSIONS.



	MATERIAL	PLATING
TERMINAL 1	Phosphor bronze	NI
Fork hook tube	C3604	NI
plastic	PBT	Black

				DSND		SCALE: N/A	MODEL TYPE: DC PLUG
				DWN		VIEW:	PART NO.: DT-2356530
				CHKD		UNIT: mm/in	DWG NO.:
				APPD		SIZE: A4	
REVISIONS				ANGLAR	±5°		
				L ≤ 4	±0.2		
				4 < L ≤ 16	±0.3		
				16 < L ≤ 63	±0.4		
				L > 63	±0.5		
				UNSPECIFIED TOLERANCES			
DATE				KE SI DA ELECTRONIC TECHNOLOGY CO., LTD			
REVISED				WEIGHT			
APPROVED				SHEET			
				REVISION			
WWW.BODONGKAIGUAN.NET				1/1			
WWW.CKJACK.COM				A0			
WWW.KSDKG.COM							