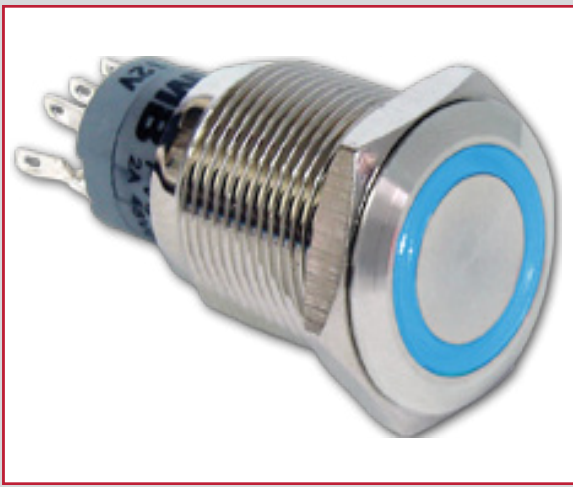


PV3 SERIES ANTI-VANDAL SWITCH

ANTI-VANDAL SWITCHES
DETECTOR SWITCHES
DIP SWITCHES
KEYLOCK SWITCHES
NAVIGATION SWITCHES
PUSHBUTTON SWITCHES
ROCKER SWITCHES
ROTARY SWITCHES
SLIDE SWITCHES
SNAP ACTION SWITCHES
TACTILE SWITCHES
TOGGLE SWITCHES
CAP OPTIONS



APPLICATIONS / MARKETS



RoHS

SPECIFICATIONS

Electrical Rating: 2A, 48VDC
Mechanical Life: 200,000 Cycles
Electrical Life: 50,000 Cycles
Contact Resistance: 50mΩ Max.
Insulation Resistance: 1000MΩ Max.
Operating/Storage Temperature: -20°C to 55°C
Travel: 2.80mm
Moisture Protection: IP40 (PV3,PV3S) & IP67 (PV3W, PV3SW)
Contact Arrangement: SPST & DPDT
Actuation Force: 4 N
Panel Thickness: 1-8mm
Mounting Nut Torque: 0.6Nm

FEATURES & BENEFITS

- 16mm diameter panel cutout
- Dot and ring illumination options
- Multiple actuator options
- Non-sealed and seal option configurable
- SPST & DPDT
- Soldered wire leads (300mm long) optional

PART NUMBER CONFIGURATOR

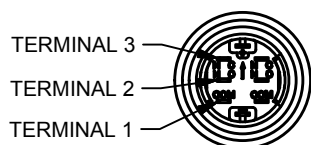
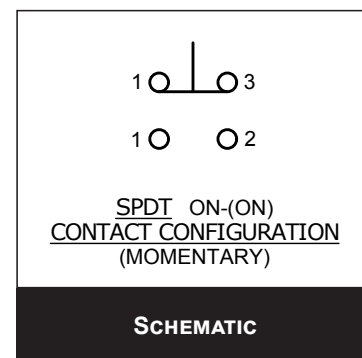
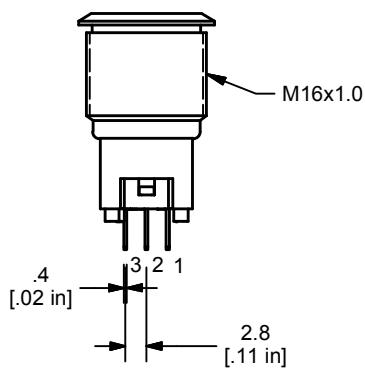
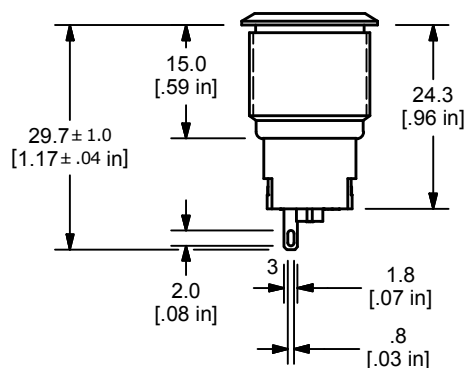
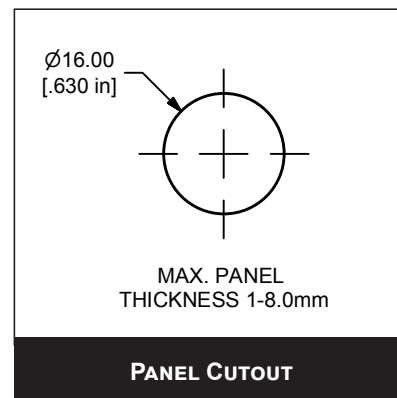
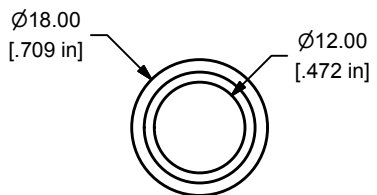
Series	Actuator Options	Terminal Options	Function Options	Rating Options	Body Finish Options	Actuator Finish Options	Contact Material Options	Lens Style Options	Lens Color Options	Illumination Voltage Options
<input type="checkbox"/> PV3 - Non Water-Resistant Version: Long Body <input type="checkbox"/> PV3S - Non Water-Resistant Version: Short Body Non-Illuminated only <input type="checkbox"/> PV3W - Water-Resistant Version: Long Body <input type="checkbox"/> PV3SW - Water-Resistant Version: Short Body Non-Illuminated only	<input type="checkbox"/> F - Flat <input type="checkbox"/> H - High <input type="checkbox"/> G - Guarded Concave	<input type="checkbox"/> 2 - Solder Leads <input type="checkbox"/> W - Wire 300mm	<input type="checkbox"/> B - 1 Pole On - (On)* <input type="checkbox"/> H - 2 Pole On - (On)*	<input type="checkbox"/> 0 - 2A, 48VDC	<input type="checkbox"/> 1 - Black Anodized <input type="checkbox"/> N - Nickel <input type="checkbox"/> B - Brushed Stainless <input type="checkbox"/> S - Polished Stainless	<input type="checkbox"/> 0 - Clear/Aluminum <input type="checkbox"/> 1 - Black Anodized <input type="checkbox"/> 7 - Blue <input type="checkbox"/> 8 - Green <input type="checkbox"/> 9 - Red <input type="checkbox"/> N - Nickel <input type="checkbox"/> B - Brushed Stainless <input type="checkbox"/> S - Polished Stainless	<input type="checkbox"/> NONE - Silver <input type="checkbox"/> G - Gold	<input type="checkbox"/> NONE - Non-Illuminated <input type="checkbox"/> 2 - Dot Illumination <input type="checkbox"/> 3 - Ring Illumination	<input type="checkbox"/> NONE - Non-Illuminated <input type="checkbox"/> 0 - White <input type="checkbox"/> 1 - Red <input type="checkbox"/> 2 - Orange <input type="checkbox"/> 3 - Green <input type="checkbox"/> 4 - Blue <input type="checkbox"/> 5 - Yellow	<input type="checkbox"/> NONE - Non-Illuminated <input type="checkbox"/> 1 - Base Voltage* <input type="checkbox"/> 3 - 6V <input type="checkbox"/> 4 - 12V <input type="checkbox"/> 5 - 24V <input type="checkbox"/> 6 - 125V

NOTES:
 *() denotes function is momentary

Specifications subject to change without notice 5.15.2019

PV3 SERIES ANTI-VANDAL SWITCH

BODY DIMENSIONS



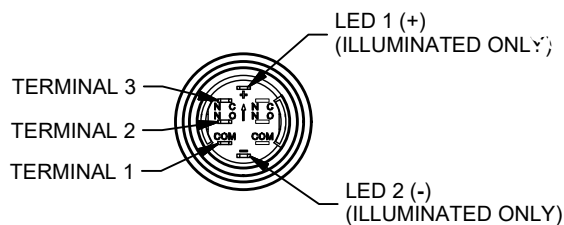
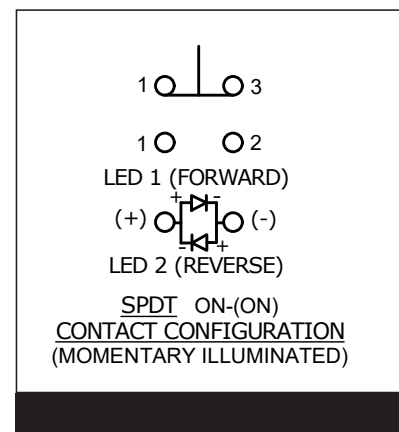
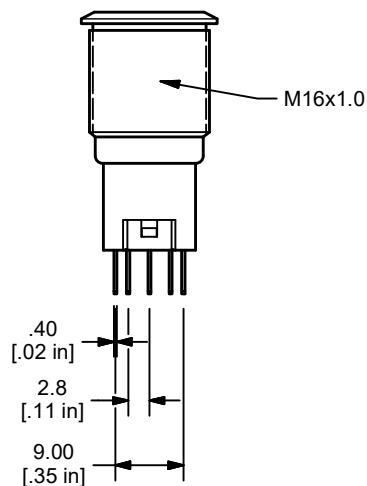
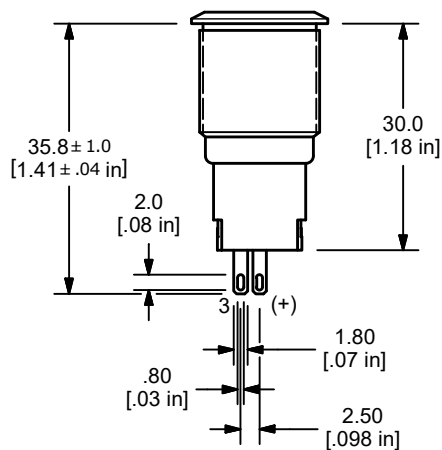
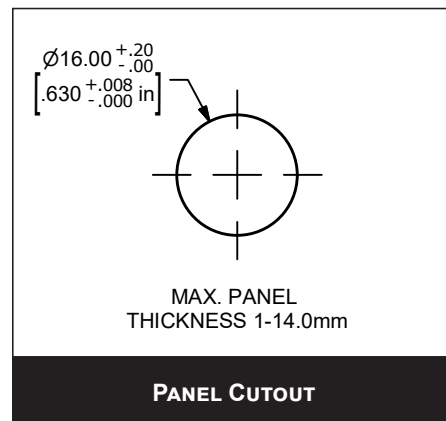
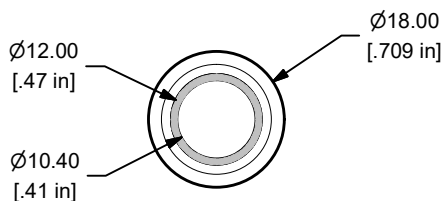
SHORT BODY

ANTI-VANDAL SWITCHES
DETECTOR SWITCHES
DIP SWITCHES
KEYLOCK SWITCHES
NAVIGATION SWITCHES
PUSHBUTTON SWITCHES
ROCKER SWITCHES
ROTARY SWITCHES
SLIDE SWITCHES
SNAP ACTION SWITCHES
TACTILE SWITCHES
TOGGLE SWITCHES
CAP OPTIONS

PV3 SERIES ANTI-VANDAL SWITCH

BODY DIMENSIONS

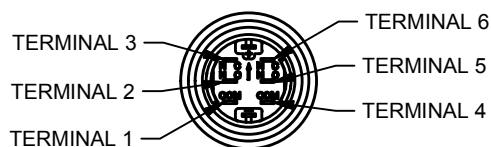
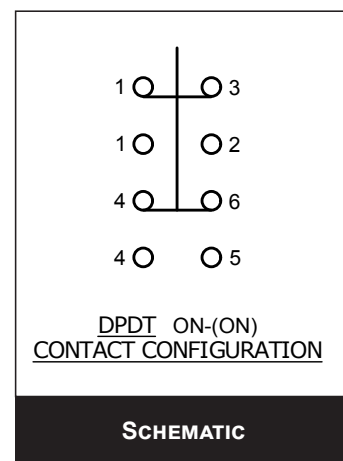
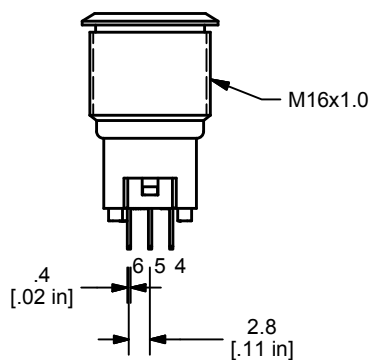
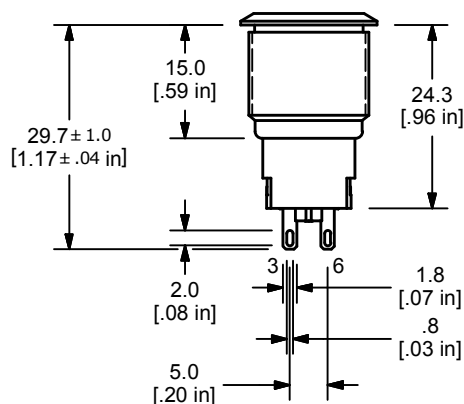
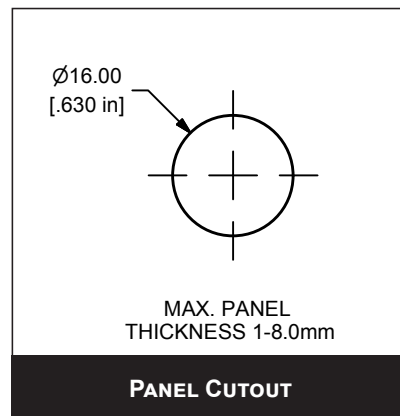
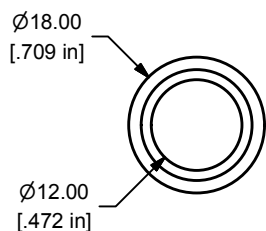
- ANTI-VANDAL SWITCHES
- DETECTOR SWITCHES
- DIP SWITCHES
- KEYLOCK SWITCHES
- NAVIGATION SWITCHES
- PUSHBUTTON SWITCHES
- ROCKER SWITCHES
- ROTARY SWITCHES
- SLIDE SWITCHES
- SNAP ACTION SWITCHES
- TACTILE SWITCHES
- TOGGLE SWITCHES
- CAP OPTIONS



LONG BODY

PV3 SERIES ANTI-VANDAL SWITCH

BODY DIMENSIONS

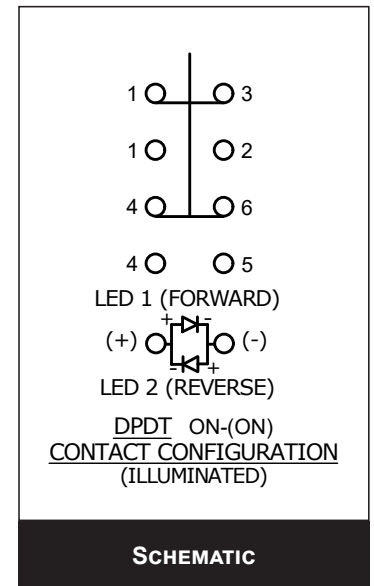
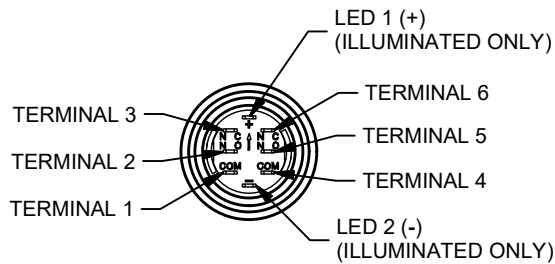
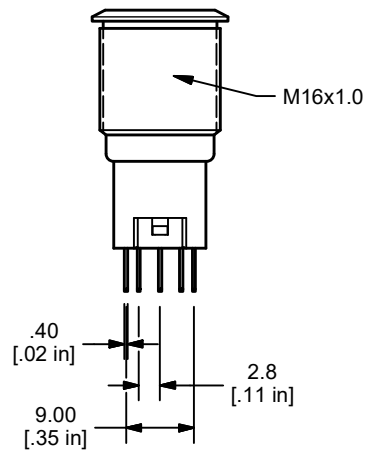
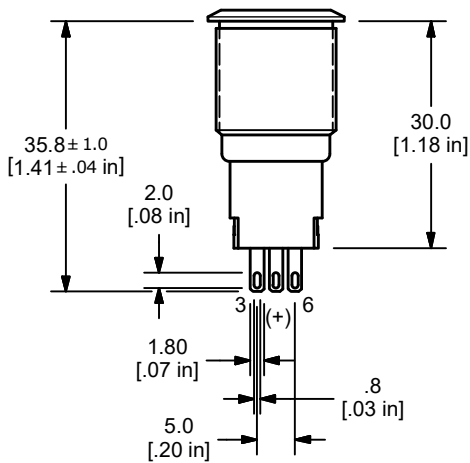
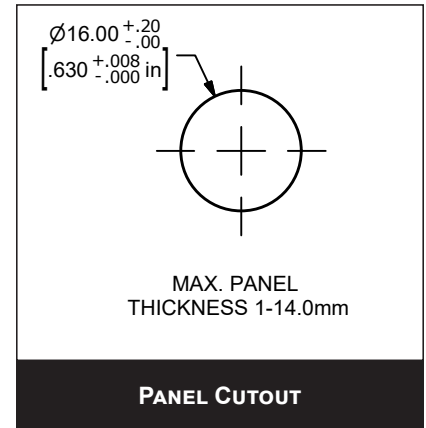
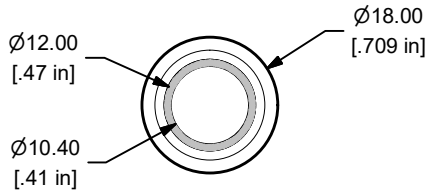


SHORT BODY

PV3 SERIES ANTI-VANDAL SWITCH

BODY DIMENSIONS

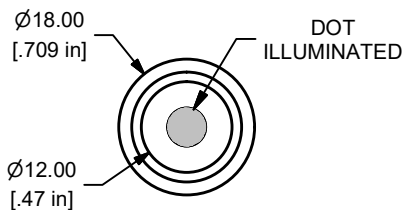
- ANTI-VANDAL SWITCHES
- DETECTOR SWITCHES
- DIP SWITCHES
- KEYLOCK SWITCHES
- NAVIGATION SWITCHES
- PUSHBUTTON SWITCHES
- ROCKER SWITCHES
- ROTARY SWITCHES
- SLIDE SWITCHES
- SNAP ACTION SWITCHES
- TACTILE SWITCHES
- TOGGLE SWITCHES
- CAP OPTIONS



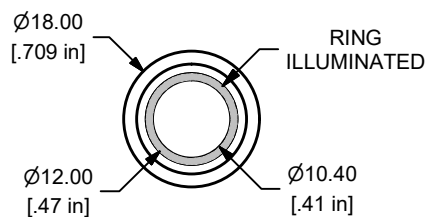
LONG BODY

PV3 SERIES ANTI-VANDAL SWITCH

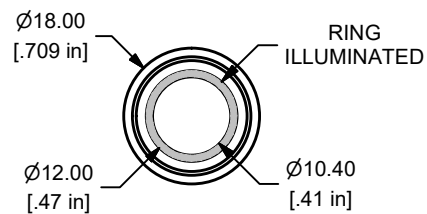
ILLUMINATION OPTIONS



DOT ILLUMINATED

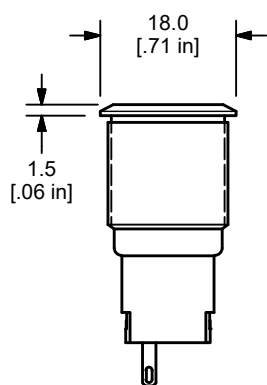
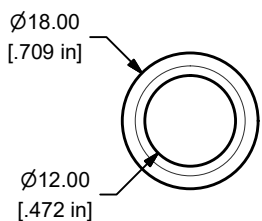


RING ILLUMINATED

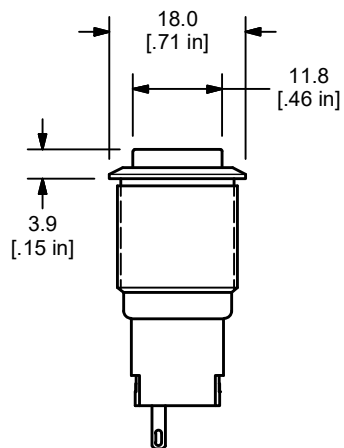
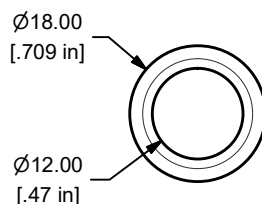


**RING ILLUMINATED
WITH GUARDED CONCAVE ACTUATOR**

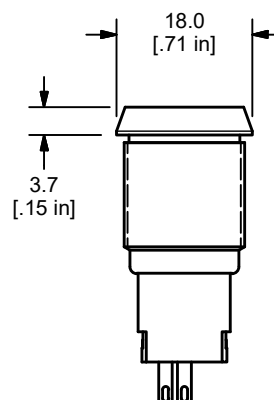
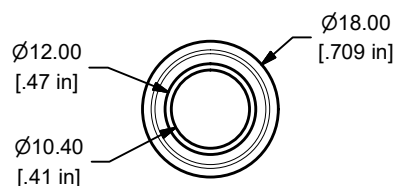
ACTUATOR OPTIONS



FLAT ACTUATOR



HIGH ACTUATOR



GUARDED CONCAVE

PV3 SERIES ANTI-VANDAL SWITCH

STANDARD LED WIRE LEAD

SWITCH	WIRE	LENGTH
SW1-1	WIRE, 22AWG AWM UL1007, YELLOW	300.0 [11.8 in]
SW1-2	WIRE, 22AWG AWM UL1007, BLUE	300.0 [11.8 in]
SW1-3	WIRE, 22AWG AWM UL1007, GREEN	300.0 [11.8 in]
SW1-4	WIRE, 22AWG AWM UL1007, PURPLE	300.0 [11.8 in]
SW1-5	WIRE, 22AWG AWM UL1007, ORANGE	300.0 [11.8 in]
SW1-6	WIRE, 22AWG AWM UL1007, WHITE	300.0 [11.8 in]
SW1- (+)	WIRE, 22AWG AWM UL1007, RED	300.0 [11.8 in]
SW1- (-)	WIRE, 22AWG AWM UL1007, BLACK	300.0 [11.8 in]

** WIRE LEADS PROVIDED ARE DEPENDANT ON THE FUNCTION AND/OR ILLUMINATION SELECTED **

