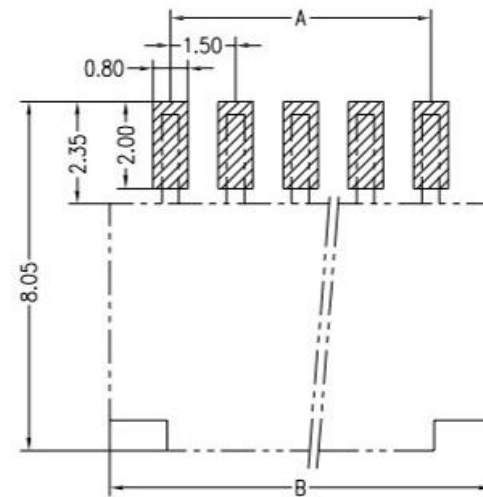
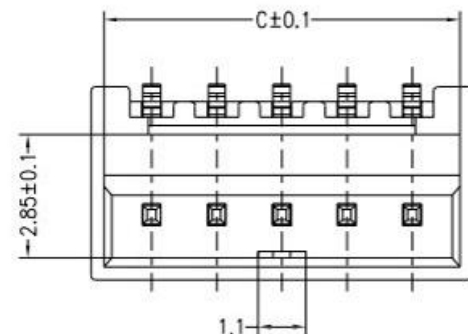
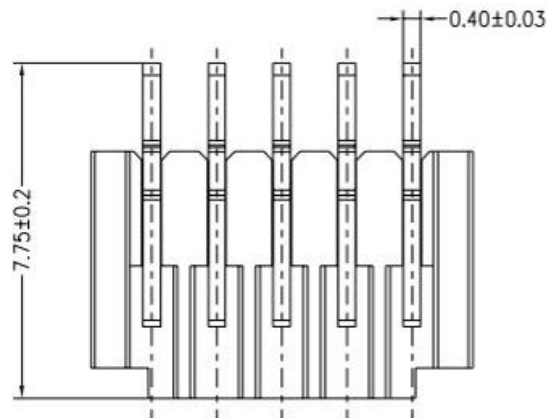
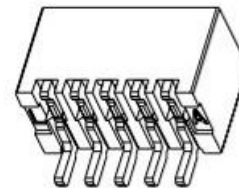


0.1



PCB LAYOUT



PIN	DIM A	DIM B	DIM C
2pin	1.50	4.30	3.70
3pin	3.00	5.80	5.20
4pin	4.50	7.30	6.70
5pin	6.00	8.80	8.20
6pin	7.50	10.30	9.70
7pin	9.00	11.80	11.20
8pin	10.50	13.30	12.70
9pin	12.00	14.80	14.20
10pin	13.50	16.30	15.70
11pin	15.00	17.80	17.20
12pin	16.50	19.30	18.70
13pin	18.00	20.80	20.20
14pin	19.50	22.30	21.70
15pin	21.00	23.80	23.20

### 主要技术参数 Main Specifications

- 线数 (Poles): 02 to 15
- 接触电阻 (Contact resistance):  $\leq 20m\Omega$
- 绝缘电阻 (Insulation resistance):  $\geq 1000M\Omega$
- 额定电压 (Rated voltage): 350V AC DC
- 额定电流 (Rated current): 3.0A AC DC
- 耐电压 (Withstand Voltage): 500V AC/minute
- 温度范围 (Temperature Range):  $-25^{\circ}C \sim +85^{\circ}C$

ITEM	COMPONENT	Q'TY	MATERIAL	FINISH
B	CONTACT	2~15 PCS	PhosphorBronze	MATTE Sn-plated
A	HOUSING	1 PCS	LCP	UL 94V-0, COLOR:BEIGE

UNITS	MAT'L	FINISH	Q'TY
mm			PCS

# 科斯达电子科技有限公司

X.± 0.3	X <sup>o</sup> ± 5°
.X± 0.25	.X <sup>o</sup> ± 2°
.XX± 0.20	.XX <sup>o</sup> ± 1°
.XXX± 0.10	.XXX <sup>o</sup> ± 0.5°

PART NO.(INTENDED USE)	TITLE:		
	1.5mm PITCH 90° WAFER SMT TYPE		
APPD:	DWG NO.:		
CHKD:			
DR: HU 2016.09.28			
	SCALE	SHEET	REV.
	1/1	1/1	A