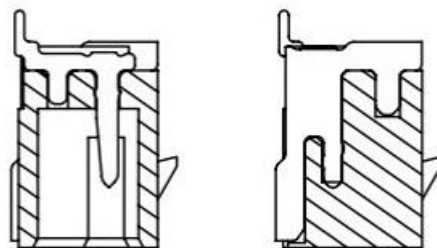
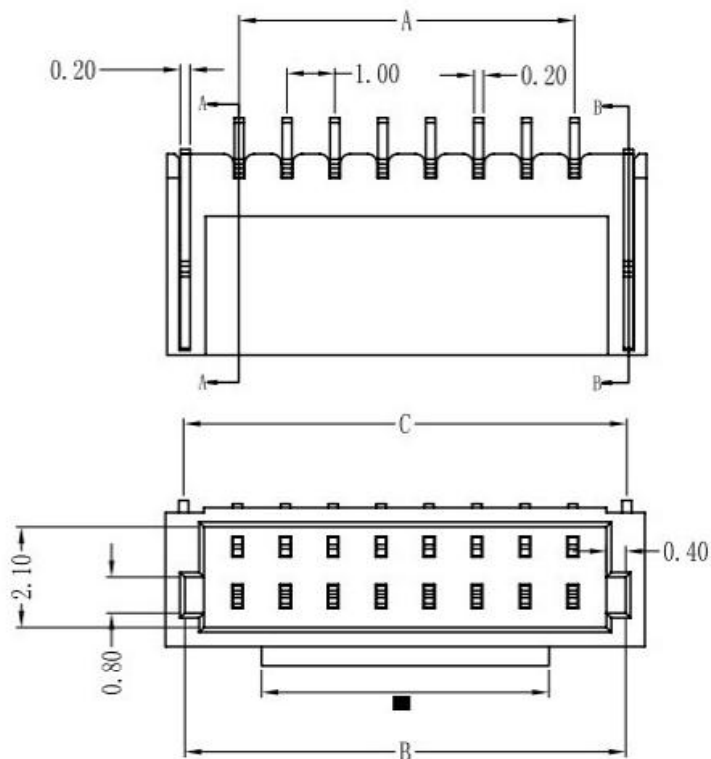
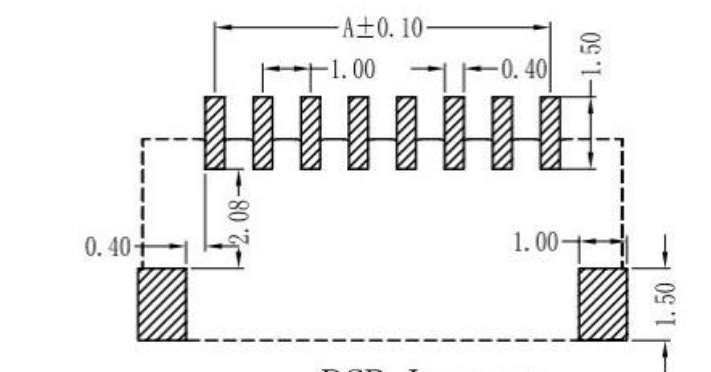
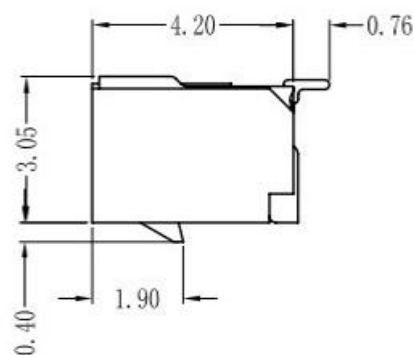


# PITCH 1.0mm BAR TO BAR CONNECTOR



剖面 A-A

剖面 B-B



PCB Layout

**性能:**

- 额定电流: 0.5A
- 额定电压: 50V
- 耐电压: 500V
- 接触电阻:  $\leq 30m\Omega$
- 绝缘电阻: 500M $\Omega$
- 工作温度: -20℃~+85℃

- 塑件(材质): LCP, UL94V-0
- 插簧(材质): 磷青铜, 镀锡/镀金
- 焊片(材质): 磷青铜, 镀锡/镀金

**注:**

- 处尺寸为
- 2Pin~4Pin: (n+1)mm;
- 5Pin~10Pin: 6.00mm;
- n>10Pin: 8.00mm.

孔位	A	B	C	D
2	1	3.2	3.25	4
3	2	4.2	4.25	5
4	3	5.2	5.25	6
5	4	6.2	6.25	7
6	5	7.2	7.25	8
7	6	8.2	8.25	9
8	7	9.2	9.25	10
9	8	10.2	10.25	11
10	9	11.2	11.25	12
11	10	12.2	12.25	13
12	11	13.2	13.25	14
13	12	14.2	14.25	15
14	13	15.2	15.25	16
15	14	16.2	16.25	17
16	15	17.2	17.25	18
17	16	18.2	18.25	19
18	17	19.2	19.25	20
19	18	20.2	20.25	21
20	19	21.2	21.25	22
21	20	22.2	22.25	23
22	21	23.2	23.25	24
23	22	24.2	24.25	25
24	23	25.2	25.25	26
25	24	26.2	26.25	27
26	25	27.2	27.25	28
27	26	28.2	28.25	29
28	27	29.2	29.25	30
29	28	30.2	30.25	31
30	29	31.2	31.25	32

X. ± 0.3	X° ± 5°	UNITS mm
.X ± 0.25	.X° ± 2°	MAT'L
.XX ± 0.20	.XX° ± 1°	FINISH
.XXX ± 0.10	.XXX° ± 0.5°	
THESE DRAWINGS AND SPECIFICATIONS ARE THE PROPERTY OF DE RUI ELECTRON FACTORY AND SHALL NOT BE REPRODUCED, COPIED OR USED IN ANY MANNER WITHOUT THE PRIOR WRITTEN CONSENT OF DE RUI ELECTRON FACTORY		Q' TY

## 科斯达电子科技有限公司

PART NO. (INTENDED USE)	TITLE: 1.0mm (Q型)条形连接器(卧式)		
APPD:	DWG NO.:		
CHKD:	SCALE	SHEET	REV.
DR: YLZ 2011.09.28			

